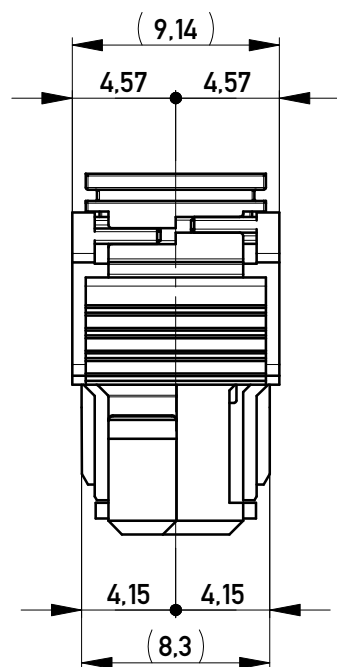
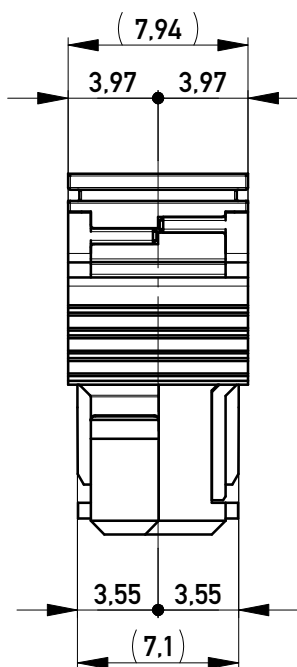


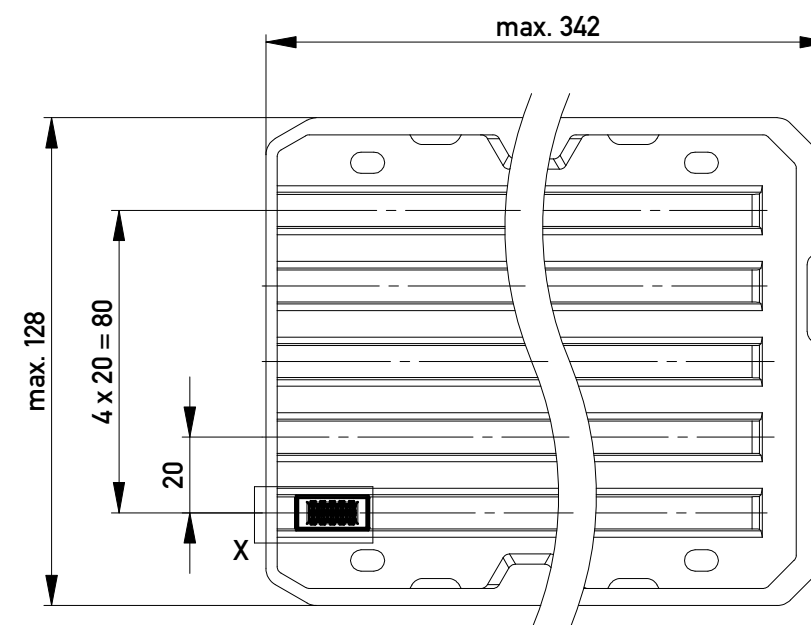
Abdeckungen vorverrastet
covers loose mounted



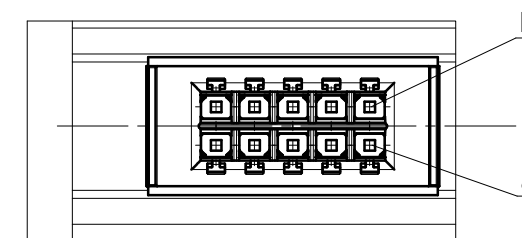
Abdeckungen verpresst
covers pressed on



Verpackt in Tray - tray packaging
Verpackungseinheit 80 Stück - packaging unit 80



Einzelheit X
detail X



474037		rot <i>red</i>	3.9	0.9	4.5	0.3	
474036		grün <i>green</i>	2.7	2.1	3.3	1.5	
474035		blau <i>blue</i>	1.5	3.3	2.1	2.7	
474034		schwarz <i>black</i>	0.3	4.5	0.9	3.9	
Ident-Nr. <i>part-no.</i>	Codierung <i>coding</i>	Farbe <i>color</i>	A	B	C	D	Bemerkung <i>note</i>

Copyright by ERNI Production GmbH & Co. KG
Proprietary notice pursuant to ISO 16016 to be observed.

Information:		Tolerances		Scale	3:1
All rights reserved. Only for Information. To ensure that this is the latest version of this drawing, please contact one of the ERNI companies before using.		All Dimensions in mm		Designation	
		Subject to modification without prior notice. Drawing will not be updated.		F 2.54 DRC-B, 10-pin	
		www.ERNI.com		324230	
b	24.04.2018			I	
Index	Date			A3	
				Class	DRCBUG

Mouser Electronics

Authorized Distributor

Click to View Pricing, Inventory, Delivery & Lifecycle Information:

[TE Connectivity:](#)

[474036](#) [474037](#) [474035](#) [474034](#) [474034-E](#) [474035-E](#) [474036-E](#) [474037-E](#)