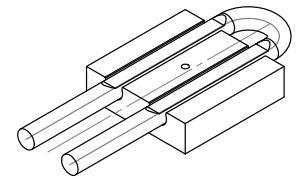
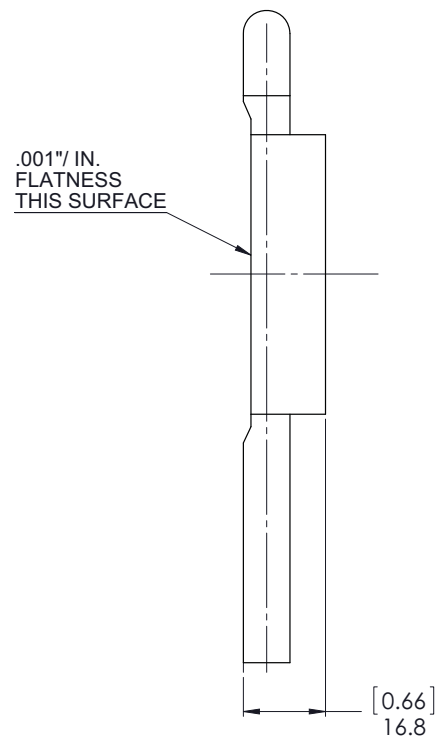
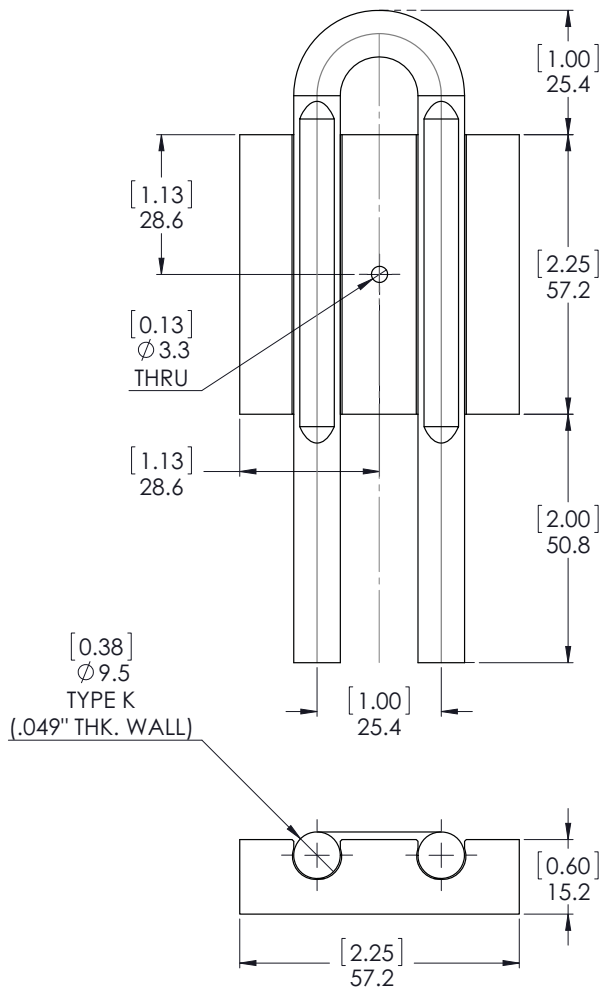


8 7 6 5 4 3 2 1

D
C
B
A



APPROVED FOR
MANUFACTURING
DATE: 11/7/17
SIGNED: A. MOSS

CUST.P.N.	120455	REV	1
DIE #	WT/FT	WT/PC	

PROPRIETARY AND CONFIDENTIAL THE INFORMATION CONTAINED IN THIS DRAWINGS IS THE SOLE PROPERTY OF WAKEFIELD-VETTE. ANY REPRODUCTION IN PART OR AS A WHOLE WITHOUT THE WRITTEN PERMISSION OF WAKEFIELD-VETTE IS PROHIBITED.	THIRD ANGLE PROJECTION 		TOLERANCES ALL DIMS IN MM(IN) .xx ± 0.5 (0.020") .xxx ± 0.25 (0.010") Angles ± 3°	 33 BRIDGE ST. PELHAM, NH 03076 (603)635-2800 TITLE: STD 2-PASS COLDPLATE
	MATERIAL: 6063-T5 AL w/ COPPER TUBE	APPROVALS DRAWN: KR DATE: 5/14/2015	CHECKED: DSGN ENG: 5/14/2015 MFG ENG: QA:	

SH_SIZE: B 8 7 6 5 4 3 MODEL_INFO: 120455_rev1 1