

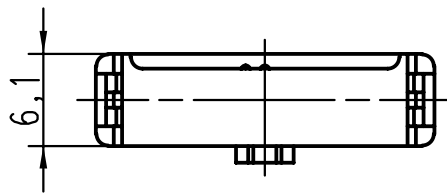
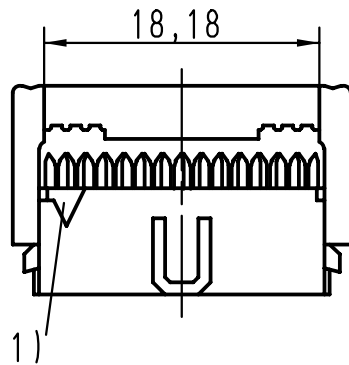
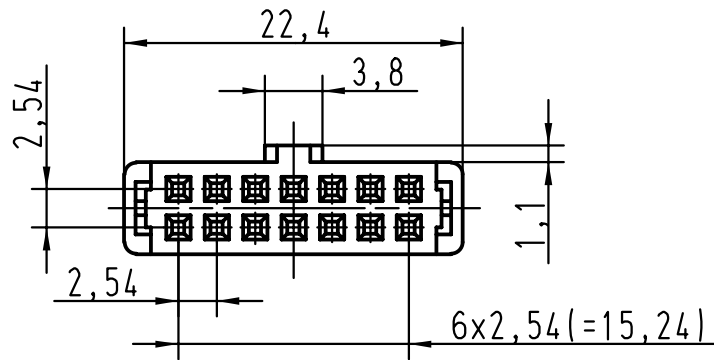
5

4

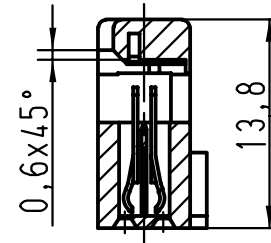
3

2

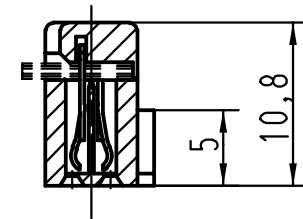
1



vorverrastet
pre assembled
preassemble



verrastet
fitted
assemble



- 1) Markierung erster Kontakt, Ader 1 des Flachkabels
 1) Contact no.1, 1st wire of flat cable
 1) Contact no.1, repère 1 du câble

		All Dimensions in mm Original Size DIN A 4			Techn. Character.			Nicht tolerierte Masse/ Free size tolerances		
							Massstab/Scale		SEK 18 Female Connector 14 poles with central polarisation cover with cable stop	
09185145804		0,76 μm Au			Detail. 01-FEB-00		Th			
09185146804		2			Insp. 01-FEB-00		JMV			
09185147804		3			Stand.				2:1 TB 0918514X804	
Bestell-Nr. Part-No. Reference		Anforderungsstufe performance level Niveau de qualite			26570 01-FEB-00 JB		HARTING EURL F-95972 Paris			Sub. Blatt/ page 1 / 1
					Mod. Dat. Name					