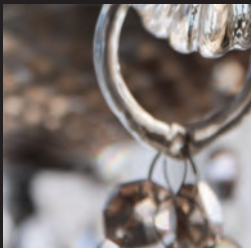


LED Flexi Strip - Chromatic

Chromatic is our range of Professional White LED Flexi Strip Lights, designed in the UK and manufactured using our usual high quality materials and processes. The range incorporates high grade 3M adhesive back VHB acrylic foam, and T.C points for accurate thermal management. Available as 12Vdc and 24Vdc options in 60, 72 or 120 LEDs per metre; supplied in 5 metre reels as standard but other lengths available by request.



Product Features

- ★ A range of professional White LED Flexi Strips
- ★ Offering 60, 72 or 120 LED's per metre
- ★ High quality LEDs
- ★ 50,000 hours working life
- ★ Easy installation and flexibility
- ★ Multiple applications for commercial and residential environments
- ★ High grade 3M VHB adhesive back
- ★ T.C point for accurate thermal management

Chromatic LED Flexi Strip - 60 LEDs per metre

Part Code	F5-55-35-1-60-F	D0-55-35-1-60-F	C2-22-35-1-60-F	B5-11-35-1-60-F
Lumen Output	350lm	310lm	300lm	290lm
Input Voltage	12Vdc	12Vdc	12Vdc	12Vdc
Power per metre	4.8W	4.8W	4.8W	4.8W
Cutable Length	50mm	50mm	50mm	50mm
LED Qty	60 per mtr	60 per mtr	60 per mtr	60 per mtr
Beam Angle	120°	120°	120°	120°
IP	IP20/65	IP20/65	IP20/65	IP20/65
CCT	6000 ~ 7000K	3500 ~ 4500K	3000 ~ 3400	2400 ~ 2600K
Width Dimensions	8/10mm	8/10mm	8/10mm	8/10mm

LED Flexi Strip width & IP rating part codes

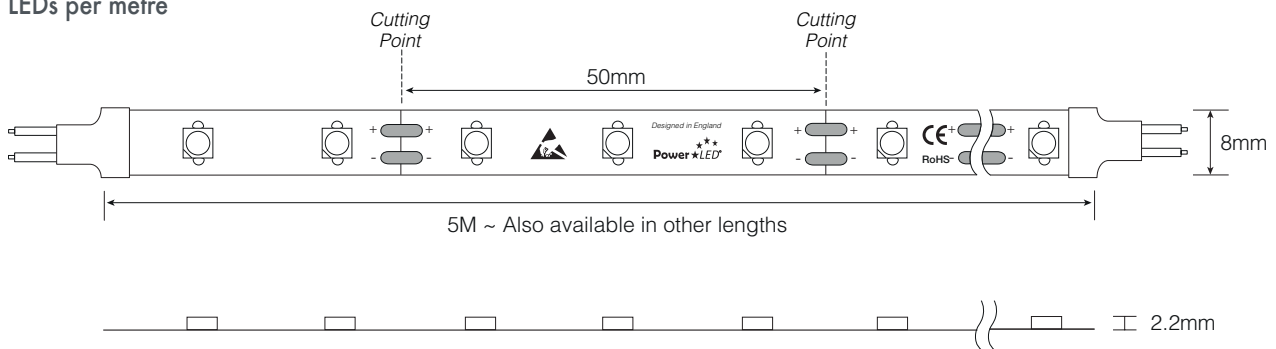
8mm width = F8
10mm width = F10

IP20 = 20
IP65 = 65

ie: B5-11-35-1-60-F8-20



60 LEDs per metre



Chromatic LED Flexi Strip - 72 LEDs per metre

Part Code	F5-55-35-1-72-F	D0-55-35-1-72-F	C2-22-35-1-72-F	B5-11-35-1-72-F
Lumen Output	424lm	436lm	425lm	410lm
Input Voltage	12Vdc	12Vdc	12Vdc	12Vdc
Power per metre	5.8W	5.8W	5.8W	5.8W
Cutable Length	41.7mm	41.7mm	41.7mm	41.7mm
LED Qty	72 per mtr	72 per mtr	72 per mtr	72 per mtr
Beam Angle	120°	120°	120°	120°
IP	IP20/65	IP20/65	IP20/65	IP20/65
CCT	6000 ~ 7000K	3500 ~ 4500K	3000 ~ 3400K	2400 ~ 2600K
Width Dimensions	8/10mm	8/10mm	8/10mm	8/10mm

LED Flexi Strip width & IP rating part codes

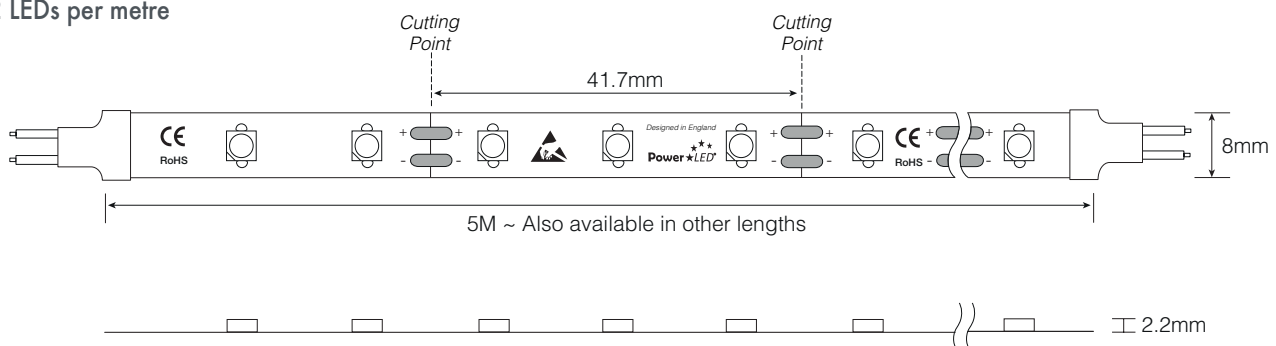
8mm width = F8
10mm width = F10

IP20 = 20
IP65 = 65

ie: B5-11-35-1-72-F8-20



72 LEDs per metre



Chromatic LED Flexi Strip - 120 LEDs per metre

Part Code	F5-55-35-1-120-F	D0-55-35-1-120-F	C2-22-35-1-120-F	B5-11-35-1-120-F
Lumen Output	700lm	620lm	600lm	580lm
Input Voltage	12Vdc	12Vdc	12Vdc	12Vdc
Power per metre	9.6W	9.6W	9.6W	9.6W
Cutable Length	25mm	25mm	25mm	25mm
LED Qty	120 per mtr	120 per mtr	120 per mtr	120 per mtr
Beam Angle	120°	120°	120°	120°
IP	IP20/65	IP20/65	IP20/65	IP20/65
CCT	6000 ~ 7000K	3500 ~ 4500K	3000 ~ 3400K	2400 ~ 2600K
Width Dimensions	8/10mm	8/10mm	8/10mm	8/10mm

LED Flexi Strip width & IP rating part codes

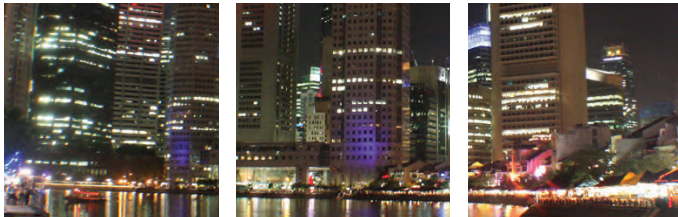
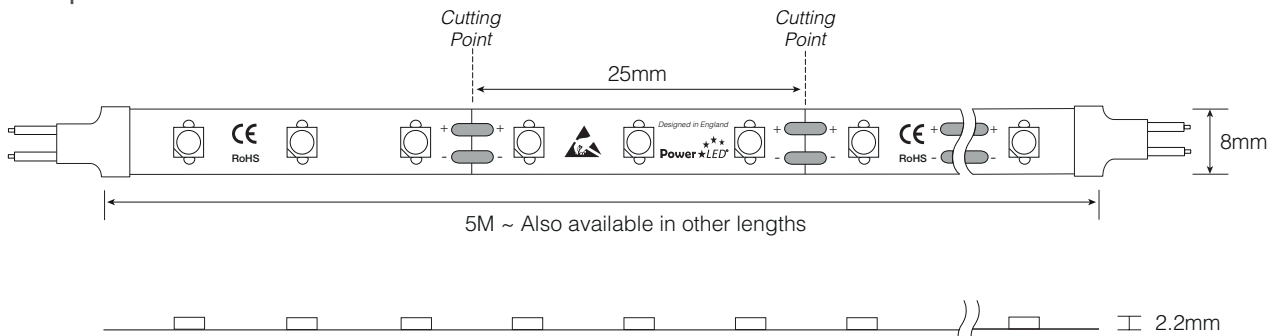
8mm width = F8
10mm width = F10

IP20 = 20
IP65 = 65

ie: B5-11-35-1-120-F8-20



120 LEDs per metre



LED Flexi Strip - Chromatic High Power

LED Flexi Strip - 60 LED's per metre - High Power

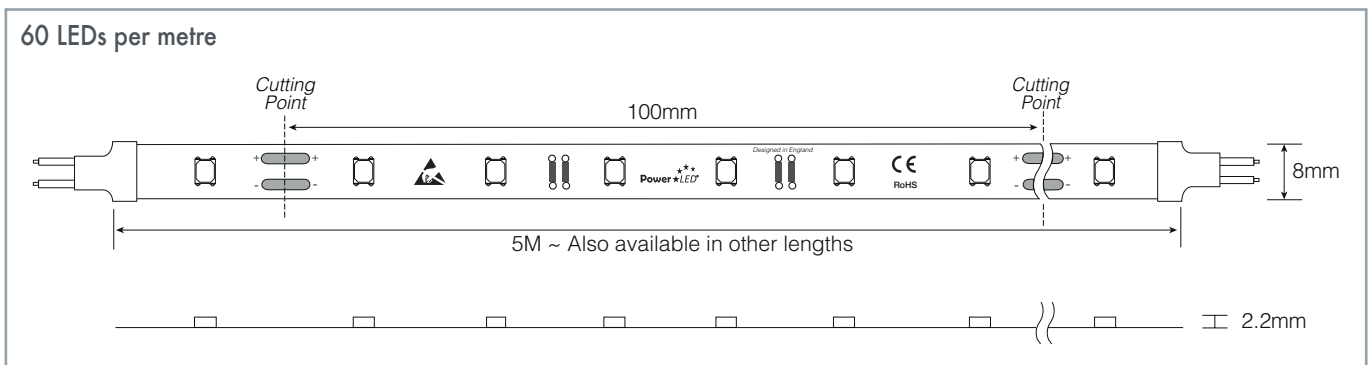
Part Code	F1-22-28-2-60	C3-22-28-2-60
Lumen Output	1200lm	1100lm
Input Voltage	24Vdc	24Vdc
Power per metre	14.4W	14.4W
Cutable Length	100mm	100mm
LED Qty	60 per mtr	60 per mtr
Beam Angle	120°	120°
IP	IP20/65	IP20/65
CCT	5900 ~ 6300K	3100 ~ 3500K
Dimensions	8/10mm	8/10mm

LED Flexi Strip width & IP rating part codes

8mm width = F8
10mm width = F10


IP20 = 20
IP65 = 65

ie: C3-22-28-2-60-8-20



IP Ratings explained

 **IP20 rated** ~ Protection from finger sized objects. No protection from water.

 **IP65 rated** ~ Limited ingress of dust, not in sufficient quantity to interfere with operation. Not designed for immersion or sitting in water. Protected from water projected from a nozzle against the enclosure from any direction.

