

19" chassis

Chassis plate

Chassis plates are designed for mounting heavy non-standard components.

Delivery comprises

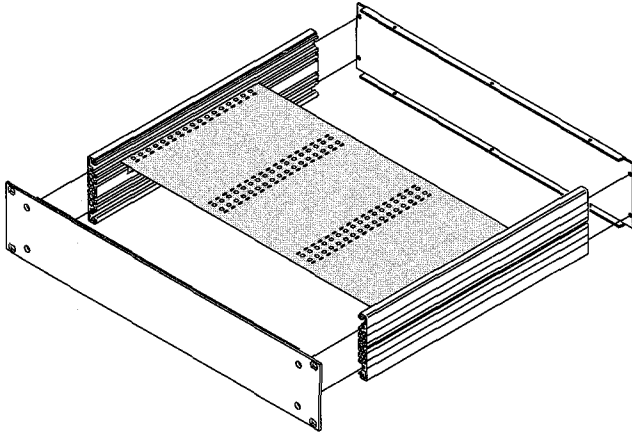
Item	Qty	Description	Material	Finish	Notes
1	1	Chassis plate	Al 2 mm		
2	2	Threaded insert M 4	St 2 mm	Zn-plated	
3	1 kit	Assembly parts			

Note

Mounting a chassis plate reduces the inside mounting height by 2.5 mm. Chassis plates can also be mounted with internal configurations.

Delivery: in kit form

Depth D mm	Order No.
150	20860-107
210	20860-108
270	20860-109
330	20860-110
390	20860-111

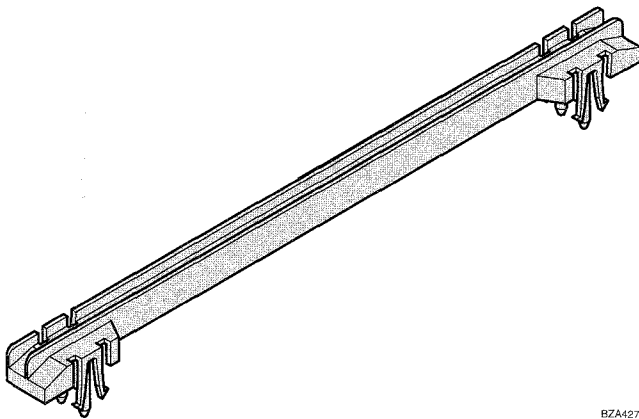


ESA45421

Guide rails

Board length mm	Slot width mm	Material	Colour	Order No. for 1 guide rail
160	2.0	PBTP UL 94 V-0	gray	60817-103
220	2.0	PBTP UL 94 V-0	gray	60817-149

Additional accessories such as
 guide rails, board holders see page 45.39
 Connectors see page 61.01
 Telescopic slides
 type 375 QD or type 110 QD see page 14.15
 Horizontal rail dimensions pages 45.06 - 45.13



BZA42739

Telescopic slide rail mounting kit

The multipac 19" chassis can be mounted to telescopic slide rails. The following parts are required:

Delivery comprises

Item	Qty	Description	Notes	Order No.
1	1 kit	Assembly parts	For mounting telescopic slide rails to multipac	21101-622

Mounting brackets for mounting 2 telescopic slide rails in SCHROFF cabinets:

Mounting bracket	Order No.
for 1 U chassis	21101-372
for 2 U chassis	21101-373

Delivery: in kit form

