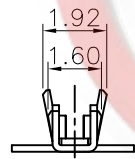
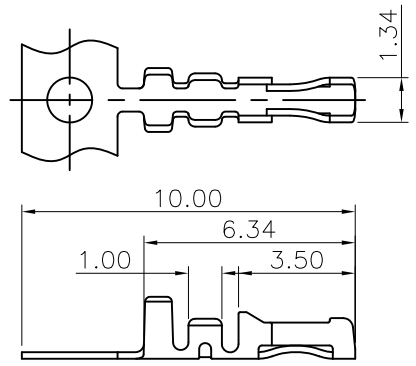


| REV. | DESCRIPTION | DRAWN | CHECKED | APPROVED |
|------|----------------|---------------|---------------|---------------|
| A | NEW RELEASE | YCH 03/16/09' | ~ | LJC 03/16/09' |
| B | DRAWING UPDATE | JLZ 05/18/17' | HZW 05/18/17' | LJC 05/18/17' |
| C | DRAWING UPDATE | JLZ 06/12/18' | ~ | |

TERMINAL



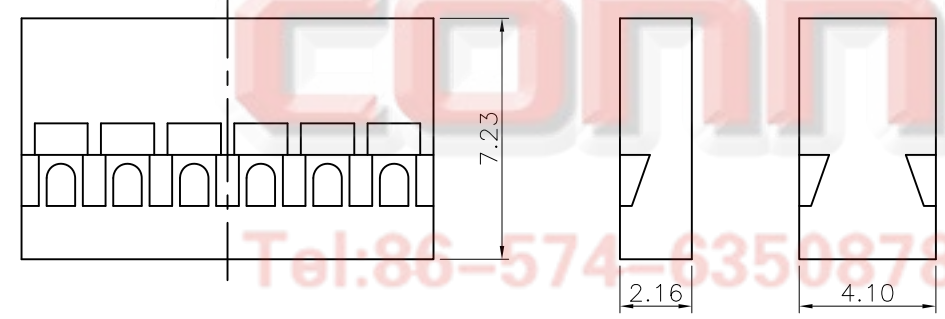
NOTES:

1. MAIN SPECIFICATIONS

- . Rated voltage: 250V
- . Rated current: 1A
- . Contact resistance: $\leq 30m\Omega$
- . Insulation resistance: $\geq 1000M\Omega$
- . Withstanding voltage: 500V,AC 1 minute
- . Temperature range: $-25 \sim +85^{\circ}C$

2. PRODUCT NUMBER CODE:

Housing



TERMINAL

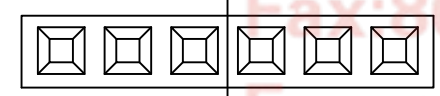
T - DS1071-01 - S C X 0 0

- Contact Plating
- 0: Selective Gold Flash
- 6: Full Tin
- 8: Full Gold Flash

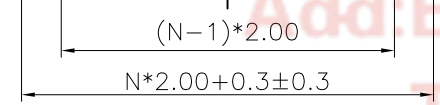
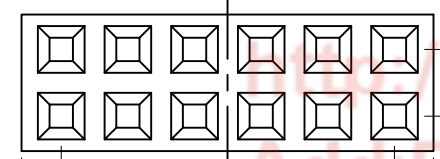
Housing

I - DS1071-01 - S C B 0 X

- No. of Hole
- 1*1~1*40(Single row)
- 2*1~2*40(Double row)
- Housing Color
- B: Black



Single row Double row



N=No. of Hole(Single row)
N=No. of Hole/2(Double row)

| | | | | | | | | | | | |
|-------------------|-------|---------------------|-----|---|-------|----------------------------------|----|-------------------------|--|--------|--|
| GENERAL TOLERANCE | | ANGLE TOLERANCE | | PROJECTION | TITLE | P.C.B CONNECTOR 2.00mm TJC8 TYPE | | | | | |
| X. | ±0.60 | X. | ±5° | mm | | SHEET SIZE | A4 | SERIES DS1071-01 SERIES | | | |
| .X | ±0.38 | .X | ±3° | | | | | | | | |
| .XX | ±0.25 | .XX | ±2° | | | | | | | | |
| DRAWING TYPE | | CUSTOMER | | 晨翔电子有限公司 CONNFLY CONNPLY ELECTRONIC CO. LTD | | | | | | | |
| SCALE | | 1:1 | | | | | | SHEET | | 1 OF 1 | |
| DRAWING NO. | | C-DS1071-01-XXXXX-C | | | | | | | | | |