

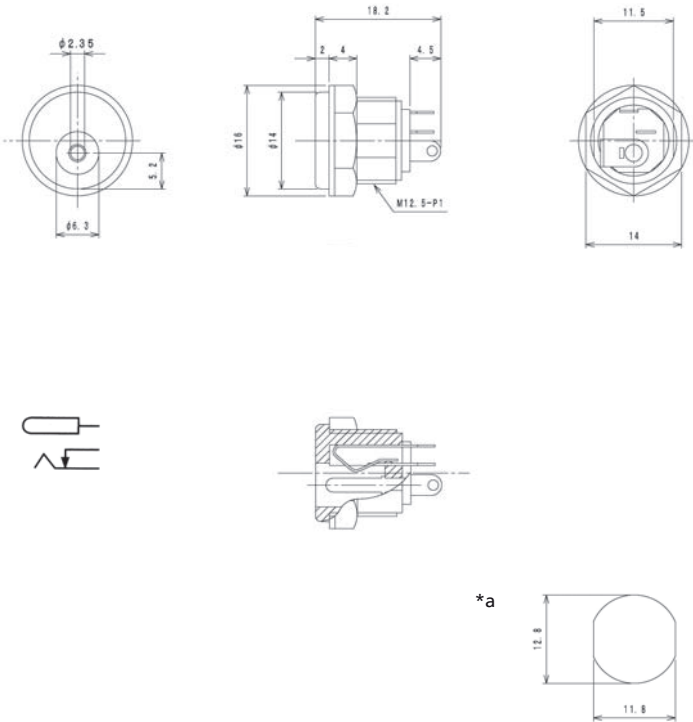
16

NEB/J 25 C

Power supply connectors



Power supply chassis socket, straight version, with break contact and solder eyes, for front side mounting



\*a port in mounting plate

#### Environmental conditions

Temperature range -25 °C/+70 °C

#### Materials

Insulating body	ABS, HB according to UL94
Contact	CuZn/CuSn, nickel-plated/silver-plated
Insulation	PBT (may be PF in a transitional phase)
Hexagonal nut	PA

#### Mechanical data

Diameter opening	6,3 mm
Diameter center pin	2,35 mm
Mating cycles	≥ 5000
Insertion force	≤ 30 N <sup>1</sup>
Withdrawal force	3–30 N <sup>1</sup>

<sup>1</sup> measured with a gauge plug

#### Electrical data (at T<sub>amb</sub> 20 °C)

Contact resistance	≤ 30 mΩ
Rated current	1 A
Rated voltage	12 V DC
Rated impulse voltage	500 V/60 s
Insulation resistance	≥ 100 MΩ

#### Associated products

Counterparts		
↗ 1633 04	↗ 1634 02	↗ NES/J 25
↗ NES/J 250	↗ XNES/J 250	

16

NEB/J 25 C

Designation	Pole Number	PU (Pieces)	MDQ (Pieces)
NEB/J 25 C	2	250	750

**Packaging:**

in bulk, in a cardboard box or a plastic bag