

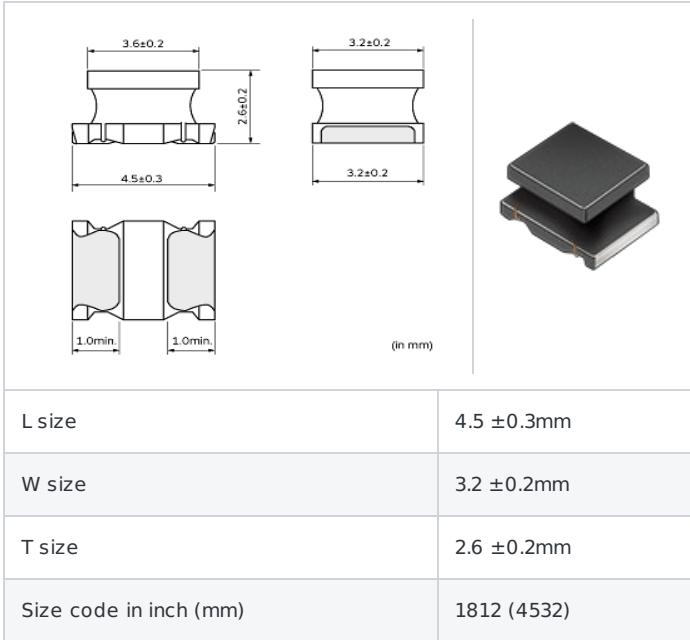
# LQH43PN101M26#

"#" indicates a package specification code.



< List of part numbers with package codes >  
LQH43PN101M26L , LQH43PN101M26K

## Shape



## Notes

When applied Rated current to the Products, Inductance will be within ±30% of initial Inductance value.  
When applied Rated current to the Products , self temperature rise shall be limited to 40°C max.  
Keep the temperature (ambient temperature plus self-generation of heat) under 125°C

## References

Packaging code	Specifications	Minimum quantity
L	φ 180mm Embossed taping	500
K	φ 330mm Embossed taping	2500

Mass (Typ.)	
1 piece	0.13g

## Specifications

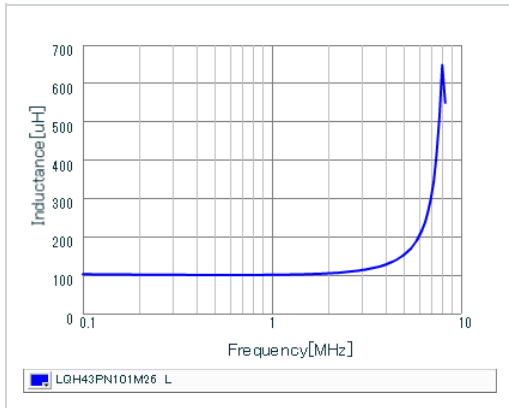
Inductance	100μH ±20%
Inductance test frequency	1MHz
Rated current (Isat) (Based on Inductance change)	320mA
Rated current (Itemp) (Based on Temperature rise)	320mA
Max. of DC resistance	1.8456Ω
Avg. of DC resistance	1.538Ω±20%
Self resonance frequency (min.)	4MHz
Operating temperature range (Self-temperature rise is not included)	-40~85°C
Class of magnetic shield	Magnetic shield of magnetic powder in resin

### ⚠ Attention

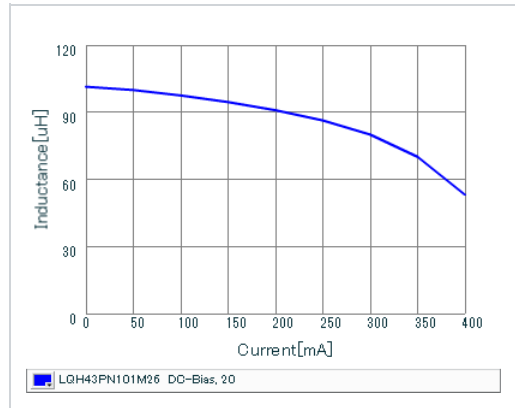
- 1.This datasheet is downloaded from the website of Murata Manufacturing Co., Ltd. Therefore, it's specifications are subject to change or our products in it may be discontinued without advance notice. Please check with our sales representatives or product engineers before ordering.
- 2.This datasheet has only typical specifications because there is no space for detailed specifications. Therefore, please review our product specifications or consult the approval sheet for product specifications before ordering.

Chart of characteristic data (The charts below may show another part number which shares its characteristics.)

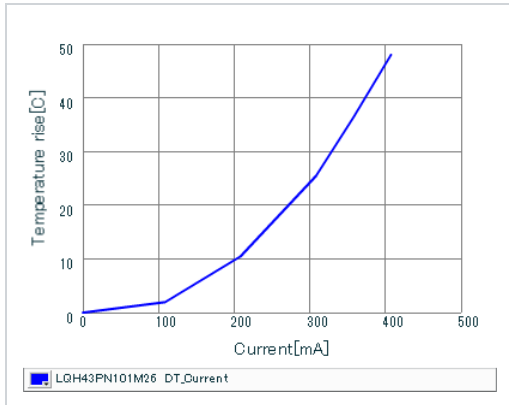
Inductance-Frequency characteristics (Typ.)



Inductance-Current characteristics (Typ.)



Temperature rise characteristics (Typ.)



**Attention**

- 1.This datasheet is downloaded from the website of Murata Manufacturing Co., Ltd. Therefore, it's specifications are subject to change or our products in it may be discontinued without advance notice. Please check with our sales representatives or product engineers before ordering.
- 2.This datasheet has only typical specifications because there is no space for detailed specifications. Therefore, please review our product specifications or consult the approval sheet for product specifications before ordering.