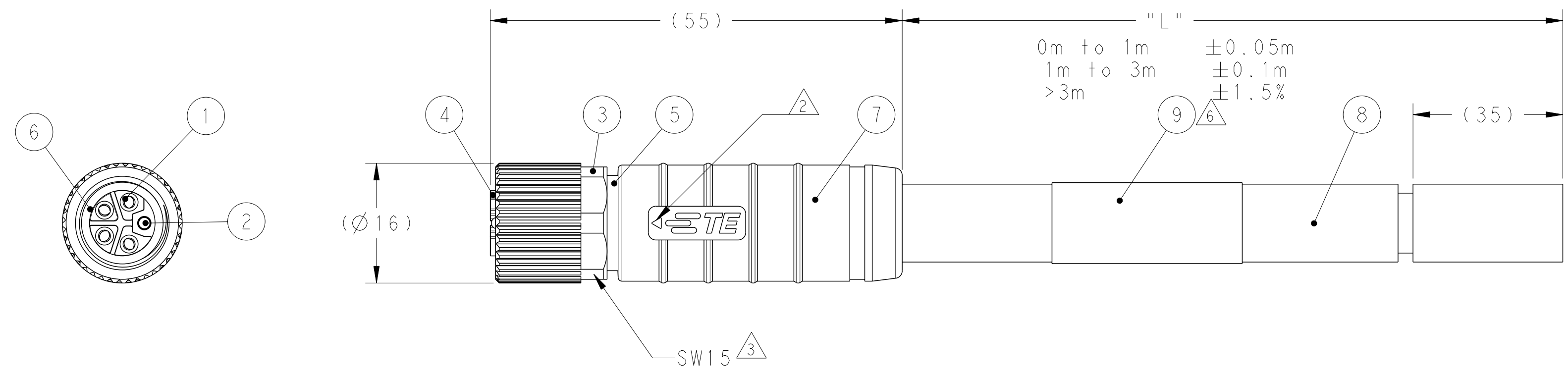


THIS DRAWING IS UNPUBLISHED. RELEASED FOR PUBLICATION  
 © COPYRIGHT copyright.d8te ALL RIGHTS RESERVED.

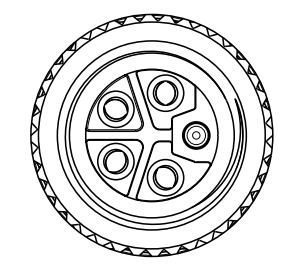
ITEM	DESCRIPTION	MATERIAL	OTHERS
1	FEMALE CONTACT	COPPER ALLOY	GOLD PLATED
2	FE MALE CONTACT	COPPER ALLOY	GOLD PLATED
3	FEMALE NUT	COPPER ALLOY	NICKEL PLATED
4	FEMALE HOUSING	NYLON	BLACK 4P GRAY 5P
5	METAL SHELL	COPPER ALLOY	NICKEL PLATED
6	O-RING	SILICONE RUBBER	GRAY
7	CONNECTOR GRIP	TPU	BLACK
8	CABLE	PVC/PUR JACKET	BLACK OR GRAY
9	LABEL	-	-

REVISIONS				
P	LTR	DESCRIPTION	DATE	APVD
	A	NEW RELEASE	01FEB2021	AZ CW

NOTE:  
 ①. TECHNICAL DATA SEE TABLE1  
 ②. CODE POSITION INDICATOR  
 ③. RECOMMENDED TORQUE 0.6 Nm  
 ④. -\*\* :CABLE LENGTH, FOR EXAMPLE: -0.5M  
 ⑤. CABLE ASSEMBLY TO BE PACKAGED IN POLYBAGS  
 ⑥. LABEL CONTAINS: PN, DATE CODE...



5 POLE AS SHOWN



4 POLE AS SHOWN

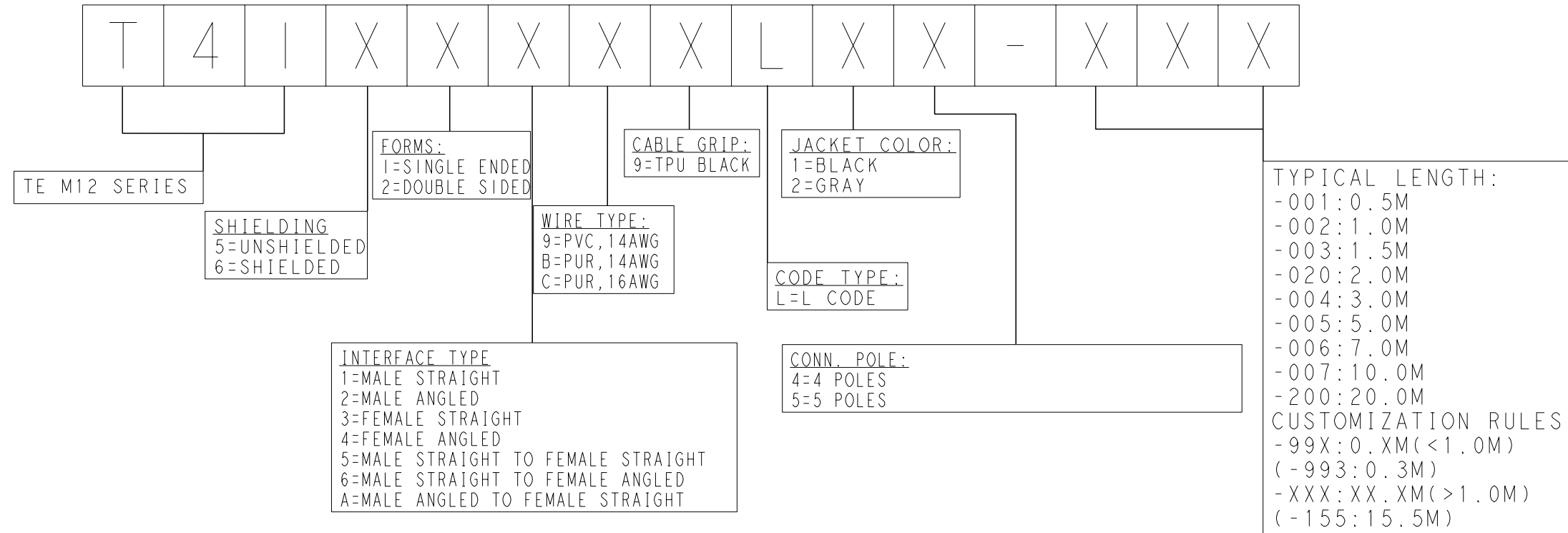
TABLE 1	
TECHNICAL DATA	
RATED VOLTAGE	63V
RATED IMPULSE VOLTAGE	1500V
RATED CURRENT	16A/14AWG 12A/16AWG
POLLUTION DEGREE	3
OVERVOLTAGE CATEGORY	III
DEGREE OF PROTECTION	IP67

THIS DRAWING IS A CONTROLLED DOCUMENT.		DWN ALEX ZHANG 04NOV2020	TE Connectivity	
DIMENSIONS: mm		CHK HART HE 04NOV2020		
TOLERANCES UNLESS OTHERWISE SPECIFIED:		APVD CHRIS WANG 04NOV2020	NAME M12 L CODE CORDSETS FEMALE STRAIGHT	
0 PLC ±1 1 PLC ±0.5 2 PLC ±0.3 3 PLC ± 4 PLC ± ANGLES ± FINISH -		PRODUCT SPEC 108-137350	RESTRICTED TO	
MATERIAL		APPLICATION SPEC 114-137144	SIZE A2	CAGE CODE -
		WEIGHT -	DRAWING NO G-T41X13XXLXXXX	
		CUSTOMER DRAWING	SCALE 2:1	SHEET 1 OF 2
			REV A	

THIS DRAWING IS UNPUBLISHED. RELEASED FOR PUBLICATION  
 © COPYRIGHT copyright.d8Te- ALL RIGHTS RESERVED.

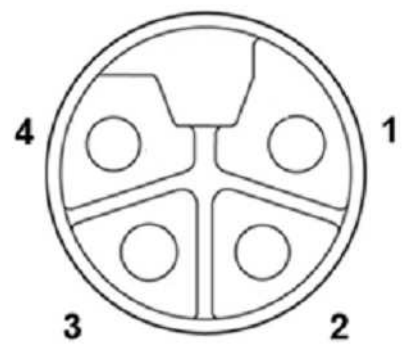
REVISIONS				
P	LTR	DESCRIPTION	DATE	APVD
		SEE SHEET 1		

**TE PN CODING:**



CIRCUIT DIAGRAM L CODE

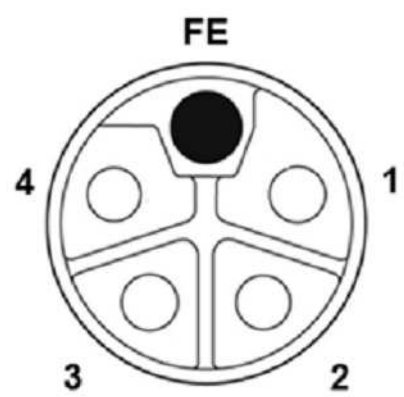
CIRCUIT DIAGRAM UNSHIELDED 4P FEMALE



- 1 — BN棕
- 2 — WH白
- 3 — BU蓝
- 4 — BK黑



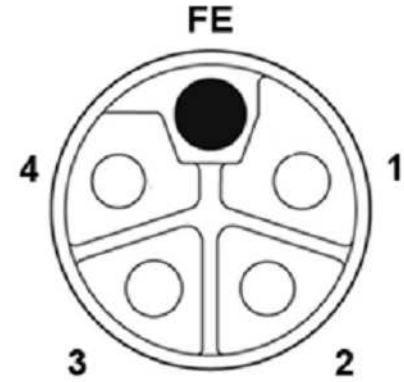
CIRCUIT DIAGRAM UNSHIELDED 5P FEMALE



- 1 — BN棕
- 2 — WH白
- 3 — BU蓝
- 4 — BK黑
- FE — GY灰



CIRCUIT DIAGRAM SHIELDED 5P FEMALE



- 1 — BN棕
  - 2 — WH白
  - 3 — BU蓝
  - 4 — BK黑
  - FE — GY灰
- SHIELD



WIRES	TYPICAL LENGTH:	TYPE	POS.	HSG COLOR	SHIELDING	TABLE 2 TE PN
WIRES: 5X14AWG JACKET: PUR GRAY WIRE COLOR: BROWN/WHITE/BLUE/BLACK/GRAY OD: APPROX. 10.40mm TEMPERATURE RATING: 80°C UL TEMP RATING: -50°C TO +80°C FIXED -30°C TO +80°C MOVED SUITABLE FOR DRAG CHAIN APPLICATIONS	-001: 0.5M -002: 1.0M -003: 1.5M -020: 2.0M -004: 3.0M -005: 5.0M -006: 7.0M -007: 10.0M -200: 20.0M CUSTOMIZATION RULES: -99X: 0.XM(<1.0M) (-993: 0.3M) -XXX: XX.XM(>1.0M) (-155: 15.5M)	RPC-M12L-5FS-**-SH PUR 14AWG GY	5	GRAY	Y	T41613B9L25-XXX17
WIRES: 5X16AWG JACKET: PUR GRAY WIRE COLOR: BROWN/WHITE/BLUE/BLACK/GRAY OD: APPROX. 9.10mm TEMPERATURE RATING: 80°C UL TEMP RATING: -50°C TO +80°C FIXED -30°C TO +80°C MOVED SUITABLE FOR DRAG CHAIN APPLICATIONS	-001: 0.5M -002: 1.0M -003: 1.5M -020: 2.0M -004: 3.0M -005: 5.0M -006: 7.0M -007: 10.0M -200: 20.0M CUSTOMIZATION RULES: -99X: 0.XM(<1.0M) (-993: 0.3M) -XXX: XX.XM(>1.0M) (-155: 15.5M)	RPC-M12L-5FS-**-PUR 16AWG GY	5	GRAY	N	T41513C9L25-XXX16
WIRES: 5X14AWG JACKET: PUR GRAY WIRE COLOR: BROWN/WHITE/BLUE/BLACK/GRAY OD: APPROX. 9.65mm TEMPERATURE RATING: 80°C UL TEMP RATING: -50°C TO +80°C FIXED -30°C TO +80°C MOVED SUITABLE FOR DRAG CHAIN APPLICATIONS	-001: 0.5M -002: 1.0M -003: 1.5M -020: 2.0M -004: 3.0M -005: 5.0M -006: 7.0M -007: 10.0M -200: 20.0M CUSTOMIZATION RULES: -99X: 0.XM(<1.0M) (-993: 0.3M) -XXX: XX.XM(>1.0M) (-155: 15.5M)	RPC-M12L-5FS-**-PUR 14AWG GY	5	GRAY	N	T41513B9L25-XXX16
WIRES: 5X14AWG JACKET: PVC GRAY WIRE COLOR: BROWN/WHITE/BLUE/BLACK/GRAY OD: APPROX. 10.1mm TEMPERATURE RATING: 80°C UL TEMP RATING: -50°C TO +80°C FIXED -40°C TO +80°C MOVED -20°C TO +80°C MOVED	-001: 0.5M -002: 1.0M -003: 1.5M -020: 2.0M -004: 3.0M -005: 5.0M -006: 7.0M -007: 10.0M -200: 20.0M CUSTOMIZATION RULES: -99X: 0.XM(<1.0M) (-993: 0.3M) -XXX: XX.XM(>1.0M) (-155: 15.5M)	RPC-M12L-5FS-**-PVC 14AWG GY	5	GRAY	N	T4151399L25-XXX16
WIRES: 4X16AWG JACKET: PUR BLACK WIRE COLOR: BROWN/WHITE/BLUE/BLACK OD: APPROX. 8.4mm TEMPERATURE RATING: 80°C UL TEMP RATING: -50°C TO +80°C FIXED -30°C TO +80°C MOVED SUITABLE FOR DRAG CHAIN APPLICATIONS	-001: 0.5M -002: 1.0M -003: 1.5M -020: 2.0M -004: 3.0M -005: 5.0M -006: 7.0M -007: 10.0M -200: 20.0M CUSTOMIZATION RULES: -99X: 0.XM(<1.0M) (-993: 0.3M) -XXX: XX.XM(>1.0M) (-155: 15.5M)	RPC-M12L-4FS-**-PUR 16AWG BK	4	BLACK	N	T41513C9L14-XXX15
WIRES: 4X14AWG JACKET: PVC BLACK WIRE COLOR: BROWN/WHITE/BLUE/BLACK OD: APPROX. 9.5mm TEMPERATURE RATING: 80°C UL TEMP RATING: -50°C TO +80°C FIXED -40°C TO +80°C MOVED -20°C TO +80°C MOVED	-001: 0.5M -002: 1.0M -003: 1.5M -020: 2.0M -004: 3.0M -005: 5.0M -006: 7.0M -007: 10.0M -200: 20.0M CUSTOMIZATION RULES: -99X: 0.XM(<1.0M) (-993: 0.3M) -XXX: XX.XM(>1.0M) (-155: 15.5M)	RPC-M12L-4FS-**-PVC 14AWG BK	4	BLACK	N	T4151399L14-XXX15
CABLE CHARACTERISTIC	LENGTH "L"	TYPE	POS.	HSG COLOR	SHIELDING	TABLE 2 TE PN

THIS DRAWING IS A CONTROLLED DOCUMENT.

DWN: ALEX ZHANG 04NOV2020  
 CHK: HART HE 04NOV2020  
 APVD: CHRIS WANG 04NOV2020

**STE** TE Connectivity

NAME: M12 L CODE CORDSETS FEMALE STRAIGHT

PRODUCT SPEC: 108-137350  
 APPLICATION SPEC: 114-137144

SIZE: A2 CAGE CODE: - DRAWING NO: G-T41X13XXLXXXXX RESTRICTED TO: -

MATERIAL: - FINISH: - WEIGHT: -

CUSTOMER DRAWING SCALE: 1:1 SHEET: 2 OF 2 REV: A