

SERIES

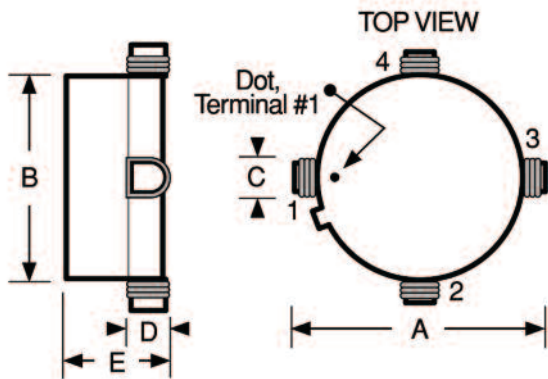
CM6296R CM6296



Common Mode Choke/Isolation Transformer

DASH NUMBER*
L1 or L2 INDUCTANCE
±25% (µH)
DC RESISTANCE
MAXIMUM (OHMS)
RATED RMS CURRENT
(AMPS) MAXIMUM
LEAKAGE INDUCTANCE
TYPICAL (µH)

Suppressors



Actual Size

SERIES CM6296 FERRITE CORE				
-253	25	0.014	10.0	0.7
-503	50	0.014	10.0	0.8
-104	100	0.016	9.5	1.4
-154	150	0.016	9.5	1.8
-204	200	0.016	8.5	2.2
-304	300	0.020	7.5	3.3
-454	450	0.024	6.5	4.6
-654	650	0.030	5.5	6.2
-105	1000	0.050	3.5	9.3
-155	1500	0.090	2.5	14.5
-255	2500	0.162	2.2	21.8

*Complete part # must include series # PLUS the dash #

Physical Parameters

	Inches	Millimeters
A	1.058 ± 0.010	26.87 ± 0.25
B	0.870 ± 0.010	22.10 ± 0.25
C	0.210 Typ.	5.33 Typ.
D	0.200 Typ.	5.08 Typ.
E	0.430 Max.	10.74 Max.

Mechanical Configuration Flat top surface mount case with excellent coplanarity of terminals

Operating Temperature -55°C to +125°C

Configuration Two inductors per unit; internal terminals: #1 (start)-#2 (finish) & #4 (start) -#3 (finish)

Electrical Configuration

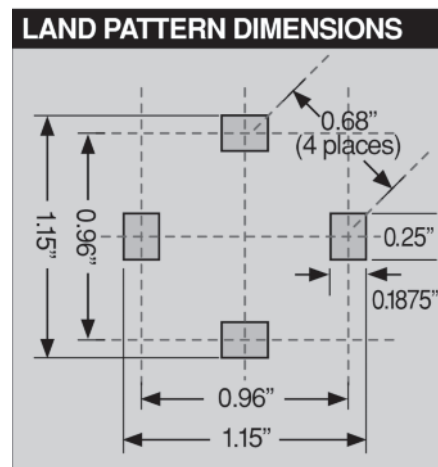
- 1) Inductance and DCR in table is for either L1 or L2
- 2) Leakage Inductance tested at L1 with L2 shorted or at L2 with L1 shorted.
- 3) Windings balanced within 2%
- 4) Inductance tested @ 1.0kHz

Rated RMS Current Per Winding Based Upon 20°C temperature rise from 25°C ambient

Maximum Power Dissipation at 25°C 2.5 Watts

Dielectric Withstanding Voltage

500 V RMS, 60Hz



Marking DELEVAN; part number, inductance with units. A white dot indicates the location of pin 1.

Example: CM6296R-155
 DELEVAN
 CM6296R-155
 1500 uH

Packaging Bulk only

Weight (Grams) 9.0 (Ref.)

Mouser Electronics

Authorized Distributor

Click to View Pricing, Inventory, Delivery & Lifecycle Information:

[Delevan:](#)

[CM6296-253](#) [CM6296-105](#) [CM6296-304](#) [CM6296-503](#) [CM6296-104](#) [CM6296-154](#) [CM6296-204](#) [CM6296-454](#)
[CM6296-654](#) [CM6296-155](#) [CM6296-255](#) [CM6296R-253](#) [CM6296R-503](#) [CM6296R-104](#) [CM6296R-154](#) [CM6296R-](#)
[204](#) [CM6296R-304](#) [CM6296R-454](#) [CM6296R-654](#) [CM6296R-105](#) [CM6296R-155](#) [CM6296R-255](#)