

| CUSTOMER P/N | SPECIFICATIONS | LENGTH |
|-------------------|-----------------------------|---------|
| 105-1032-BL-00050 | USB 3.1 C TO A, BLACK, 0.5M | 500±30 |
| 105-1032-BL-00100 | USB 3.1 C TO A, BLACK, 1.0M | 1000±50 |
| 105-1032-BL-00150 | USB 3.1 C TO A, BLACK, 1.5M | 1500±50 |
| 105-1032-BL-00200 | USB 3.1 C TO A, BLACK, 2.0M | 2000±60 |

TABLE 1

MATERIALS LIST:

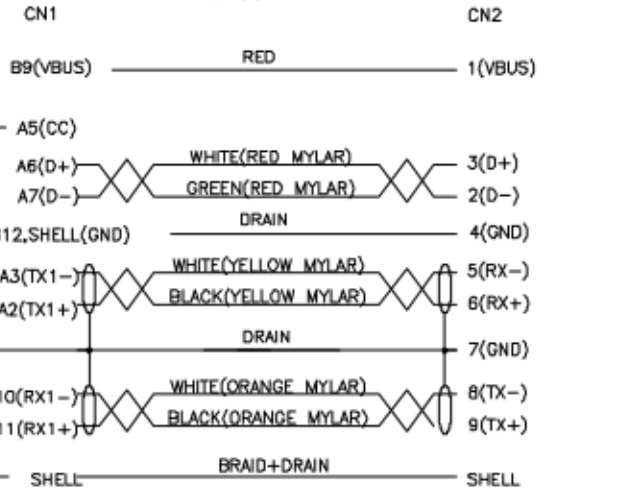
- CABLE:USB 3.1 C TO A(7/0.115TA*1PR+EAM)*2+(7/0.08TA*1PR+AM)+7/0.2TA*1C+T2EB 85% USB 3.1 DD:5.0mm JACKET PVC COLOR:BLACK
- CONNECTOR:USB3.1 TYPE C/M PIN 30U* Rp:56Kohm INSULATOR BLACK,NICKEL PLATED SHELL,
- CONNECTOR:USB 3.1 A/M INSULATOR BLUE NICKEL PLATED SHELL PIN G/F.
- PVC MOLDED:V39B 45P BLACK

ELECTRONIC TEST:

- OPEN/SHORT/INTERMITTENCE: 100%.
- HI-POT: 50V AC/0.01sec 50V DC/0.01sec
- INSULATION RESISTANCE: 20M OHM (MIN)
- CONDUCTIVE RESISTANCE: 2 OHM (MAX)
- CAPACITANCE DETECTION: 10nF±20% BETWEEN A1 AND A4
- RESISTANCE DETECTION: Rp=56Kohm±5% BETWEEN A4 AND A5

REMARK:

- ALL MATERIALS TO MEET RoHS
- CHECK IMPORTANT SIZE:Y1&Y3



| REV | ECN NO | DESCRIPTION | D.B | DATE |
|-----|--------|-------------|-----|------|
| | | | | |
| | | | | |

| CnC Tech, LLC | | | |
|---|--------|-------------|-------------------|
| Industrial Cable and Connector Technology | | | |
| DRAWN BY | Ziyong | DARWING NO. | T180423012 |
| CHECKED BY | | CUSTOMER | 105-1032-BL-00*** |
| APPROVAL BY | | ITEM NO. | |
| DECIDE BY | | DATE | 18.05.29 |
| VERSIONS/EDITEON | A/0 | PROJECTION | |