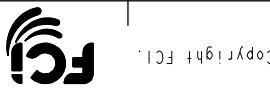
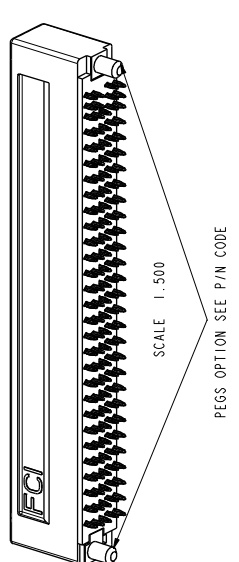
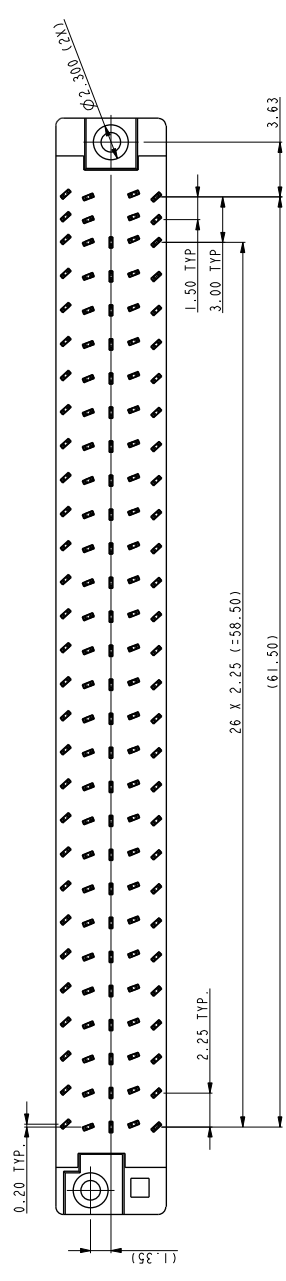
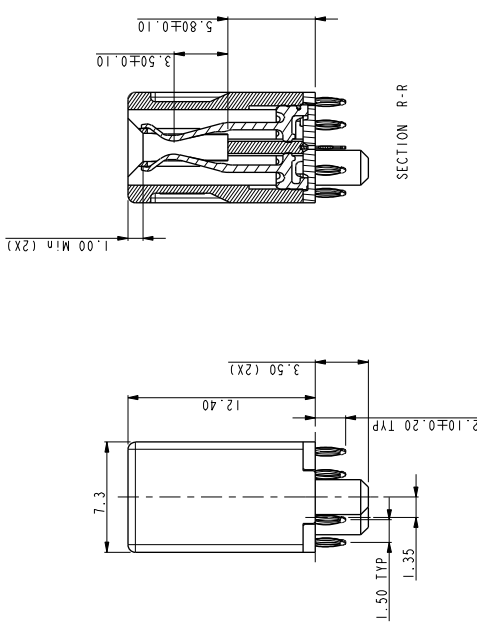
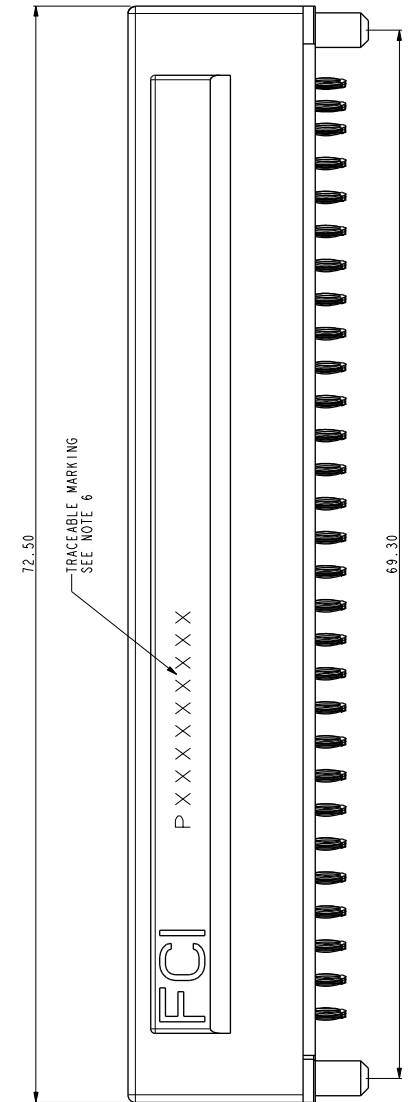
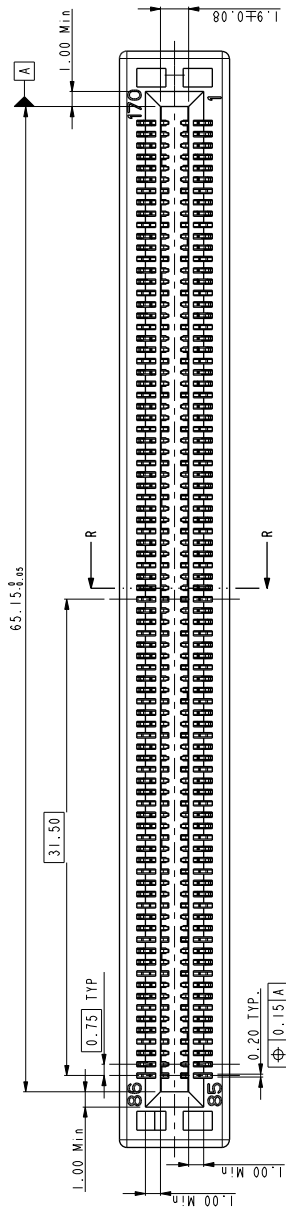
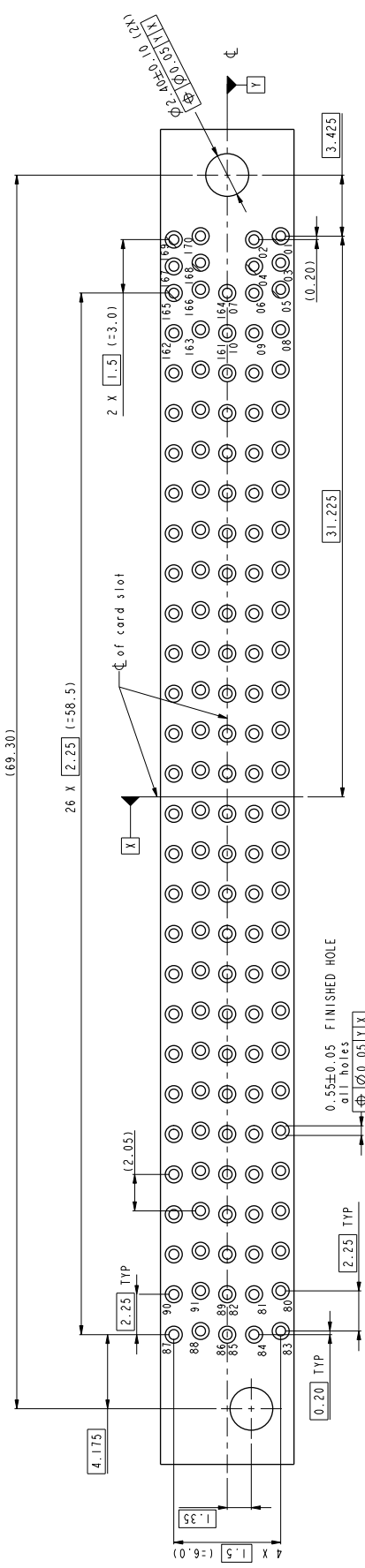


P/N	PLATING DESCRIPTION	REMARK
10058831-110LF & 10058831-111LF	Au	LEAD FREE
10058831-110 & 10058831-111	Au	NOT LEAD FREE



spec ref	* TOLERANCES UNLESS OTHERWISE SPECIFIED	dr	w	wcadmin	2007/05/11	projection	size	scale
	ISO 406	eng	De-Feng Qin	2012/11/20	MM	A3	1:000	
ISO 1101	surface	chr	Terry Qiu	2012/11/20	product family	ecn no	ELX-06-13477-1	
ISO 1302	linear	appr	Pei-Ming Zheng	2012/11/30	PF TYPE ASS'Y	rel level	Released	
angular	0°	www.fci.com		MICRO TCA		10058831	rev	
	±5°	cat. no.		Product - Customer Drw		10058831	K	
		2		3		4	sheet 1 of 4	



SCALE 4.000

RECOMMENDED PCB LAYOUT
(SEE PICMG MICROTCA BASE SPECIFICATION FOR DETAIL)

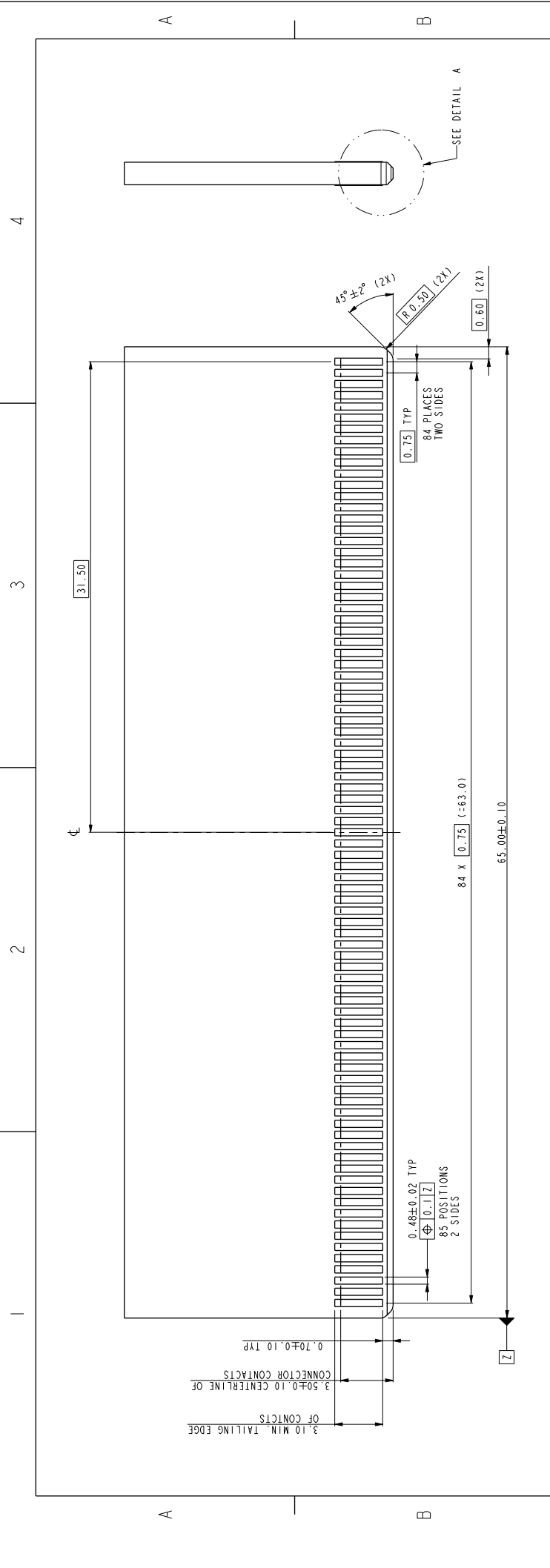
REMARK: FUNCTIONAL CONTACT PIN LIST OF MATING INTERFACE

POWER	2, 9, 18, 27, 42, 57, 72, 84
GROUND	1, 7, 10, 13, 16, 19, 22, 25, 28, 31, 34, 37, 40, 43, 46, 49, 52, 55, 58, 61, 64, 67, 70, 73, 76, 79, 82, 85, 88, 92, 95, 98, 101, 104, 107, 110, 113, 116, 119, 122, 125, 128, 131, 134, 137, 140, 143, 146, 149, 152, 155, 158, 161, 164, 170
GENERAL PURPOSE	3, 4, 5, 6, 8, 17, 26, 41, 56, 71, 83, 165, 166, 167, 168, 169
DIFFERENTIAL PAIRS	11/12, 14/15, 20/21, 23/24, 29/30, 32/33, 35/36, 38/39, 44/45, 47/48, 50/51, 53/54, 59/60, 62/63, 65/66, 68/69, 74/75, 77/78, 80/81, 87/88, 90/91, 93/94, 96/97, 99/100, 102/103, 105/106, 108/109, 111/112, 114/115, 117/118, 120/121, 123/124, 126/127, 129/130, 132/133, 135/136, 138/139, 141/142, 144/145, 147/148, 150/151, 153/154, 156/157, 159/160, 162/163



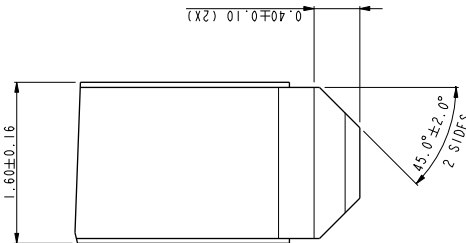
Copyright FCI

spec ref	* dr		w		w admin		2007/05/11		projection	MM	size	A3	scale	1:000
	tolerance std	eng	De-Feng	Qin	2012/11/20	2012/11/20		ELX-06-13471-1						
ISO 406	TOLERANCES UNLESS OTHERWISE SPECIFIED		chr		Terry		Qiu		product family		rel level		Released	
ISO 1101	0.X	±0.2	appr		Pei-Ming		Zheng		2012/11/30		ec n no		10058831	
surface	linear	±0.15	www.fci.com		cat. no.		PF TYPE ASS'Y		0 =		rev		K	
ISO 1302	angular	±0.08	www.fci.com		www.fci.com		MICRO TCA		6 mp		sheet 2 of 4		4	
2	±5°		3		Product - Customer Drw		4		4		4		4	



SCALE 4.000

RECOMMENDED MODULE LAYOUT
(SEE PICMG ADVANCED MEZZANINE CRAD BASE SPECIFICATION FOR DETAIL)



spec ref	*	dr	w	wcadmin	2007/05/11	projection	size	scale
Tolerance std		eng	De-Feng Qin		2012/11/20	MM	A3	1.000
ISO 406	TOLERANCES UNLESS OTHERWISE SPECIFIED	chr	Terry Qiu		2012/11/20		ecn no	ELX-06-13477-1
ISO 1101		appr	Pei-Ming Zheng		2012/11/30		rel level	Released
surface	linear	PF TYPE ASS'Y		product family		10058831		rev
ISO 1302	angular	MICRO TCA		www.fcicom		Product - Customer Drw		K
	0.x	www.fcicom		cat. no.		sheet 3 of 4		
	0.xx	3		4				
	0.xxx	PF TYPE ASS'Y		PF TYPE ASS'Y				
	±0.2	±5°		±5°				
	±0.15							
	±0.08							
	0°							



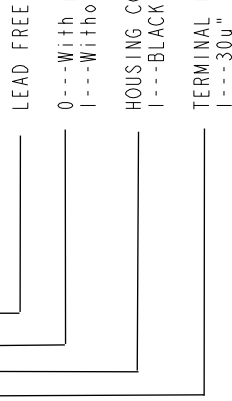
Copyright FCI

NOTES:

- MATERIAL:
HOUSING: HIGH TEMPERATURE NYLON, GLASS FILLED UL94V-0
TERMINAL: COPPER ALLOY
- FINISH:
10058831 - 110LF AND 10058831-111LF
TERMINAL: 50u" NICKEL UNDERPLATE
CONTACT AREA : 30u" Au ON CONTACT AREA
PRESS FIT TAIL: 20u" MIN. Pure Sn OVER 50u" NICKEL.
10058831 - 110 AND 10058831-111
TERMINAL: 50u" NICKEL UNDERPLATE
CONTACT AREA: 30u" Au ON CONTACT AREA
PRESS FIT TAIL: 20u" MIN. SnPb OVER 50u" NICKEL.
- THE PRODUCT MEETS PICMG MICROTCA SPECIFICATION AS DESCRIBED IN GS-12-422.

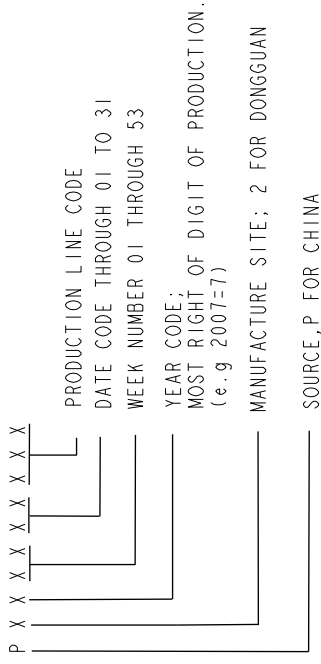
PRODUCT NUMBER CODE

10058831 - 11XLF



LEAD FREE
0---With pegs
1---Without pegs
HOUSING COLOR CODE
1---BLACK
TERMINAL PLATING CODE
1---30u" Au ON CONTACT AREA

6. MARKING INFORMATION:



HEIGHT OF THE MAKING TEXT: IMM MIN

- GOLD PLATING NOTE:
HARD GOLD PLATED, ITS DENSITY IS 17.0g/cu.mm.
IF USED PURE GOLD DENSITY 19.3g/cu.mm. XRF PROFILE FOR MEASUREMENT, MUST MULTIPLY FACTOR 1.135

PCB NOTE:

- $\varnothing 0.64 \pm 0.02$ mm DRILLED HOLES, PLATED WITH 0.8um min CHEM. TIN OVER 25um MIN .Cu PLATING TO ACHIEVE $\varnothing 0.55 \pm 0.05$ mm FINISHED HOLES.



Copyright FCI

spec ref	*	dr	w	wcadmin	2007/05/11	projection	size	scale
tolerance std	TOLERANCES UNLESS OTHERWISE SPECIFIED	eng	De-Feng Qin	2012/11/20	2012/11/20	MM	A3	1:000
ISO 406		chr	Terry Qiu	2012/11/20			ec n no	ELX-06-13477-1
ISO 1101		appr	Pei-Ming Zheng	2012/11/30			rel level	Released
surface	linear	www.fci.com		PF TYPE ASS'Y		10058831		rev
	angular	cat. no.		MICRO TCA		Product - Customer Drw		sheet 4 of 4
ISO 1302	±0.2 ±0.15 ±0.08 0°	±5°		3		4		K