



**RCA PHONO JACKS: KLPX Series**  
RCA Phono Jack PCB Mount

**Product Features**

Audio Applications for Computers and Multimedia  
Two Contact Cost Efficient Design  
Right Angle and Vertical Mount Available

**Performance Specifications**

**Materials and Finish**

**Housing**

PBT Thermoplastic, UL94V-0 Rated

**Terminals**

Brass, Tin Plated

**Electrical Characteristics**

**Contact Resistance**

30 milliohms Max.

**Insulation Resistance**

100 Megohms Min.at 500V DC

**Dielectric Withstanding Voltage**

500V AC RMS for 1 Minute

**Mechanical Characteristics**

**Insertion Force**

0.3kg - 3.0kg

**Extraction Force**

0.3kg - 3.0kg

**Durability**

5000 Mating Cycles Min.

**Operating Temperature**

-25°C to +80°C

2D Drawing	IGES	STEP	3D PDF
Solder Profile	CofC RoHS Compliant	CofC REACH Compliant	UL Plastic File
Certificate of Origin	Check Stock	Request a Sample	Send Us An Email

Generated Part Number

Part Number Builder

-     
 Series                      Type                      Color Option                      Plating Option

**Series**

KLPX - RCA Phono Jack

**Type**

0848-2 - Vertical Mount  
0848A-2 - Right Angle Mount

**Color Option**

B - Black  
R - Red  
W - White  
Y - Yellow

**Barrel Plating Option**

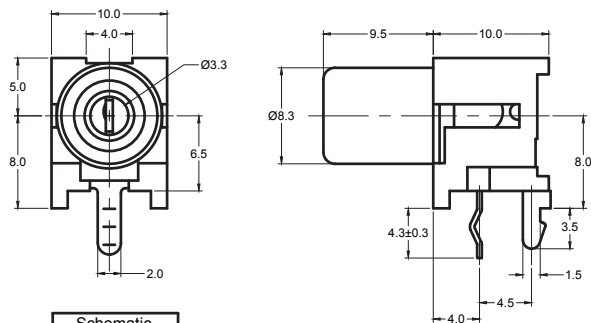
Blank - Nickel Plating

Contact Kycon for other options

**KLPX**

Dimensions in mm

**KLPX-0848A-2-x**



# Mouser Electronics

Authorized Distributor

Click to View Pricing, Inventory, Delivery & Lifecycle Information:

[Kycon:](#)

[KLPX-0848-2-B](#) [KLPX-0848-2-R](#) [KLPX-0848-2-W](#) [KLPX-0848-2-Y](#) [KLPX-0848-2-B-G](#) [KLPX-0848-2-R-G](#) [KLPX-0848-2-Y-G](#) [KLPX-0848-2-W-G](#) [KLPX-0848A-2-R](#) [KLPX-0848A-2-B](#) [KLPX-0848A-2-Y](#) [KLPX-0848A-2-O](#) [KLPX-0848A-2-W](#) [KLPX-0848A-2-Y-G](#) [KLPX-0848A-2-W-G](#) [KLPX-0848A-2-B-G](#) [KLPX-0848A-2-R-G](#) [KLPX-0848A-2-BL](#) [KLPX-0848A-2-GR](#) [KLPX-0848A-2-O-G](#) [KLPX-0848-2-GR](#) [KLPX-0848-2-BL](#) [KLPX-0848-2-O](#) [KLPX-028-W](#) [KLPX-028-B](#) [KLPX-028-R](#)