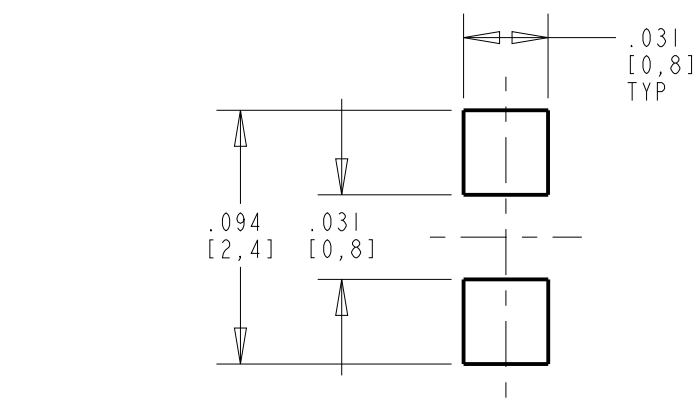
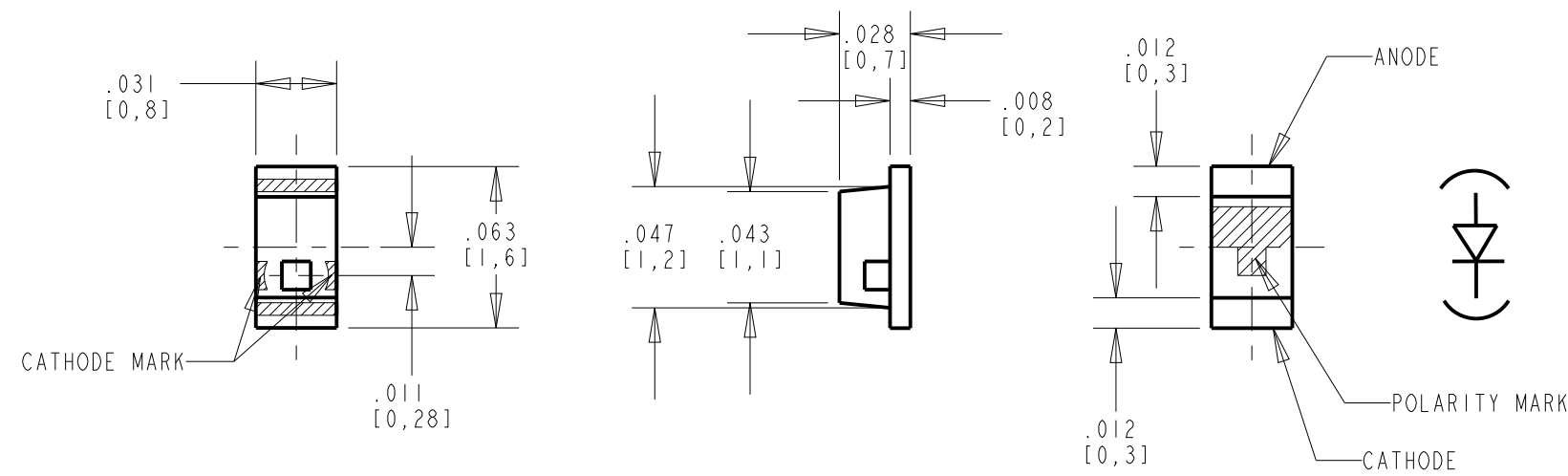
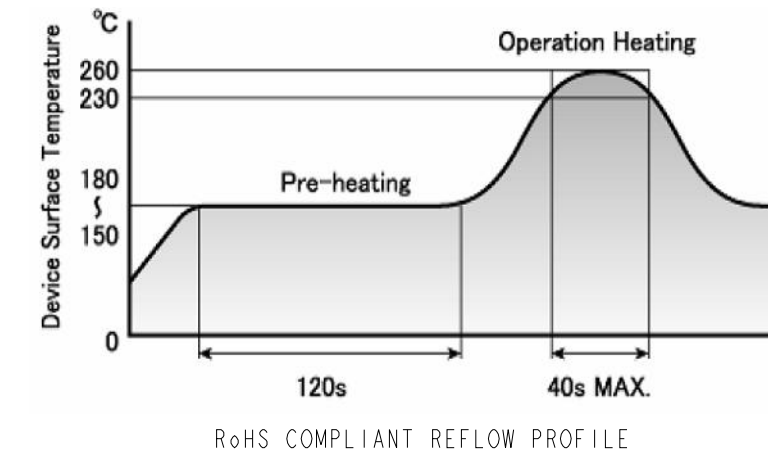


REV	ECN NO	REVISIONS	DRN	CKD	APP	DATE
A		NEW RELEASE	RSK	WFB	NO	11-12-2014

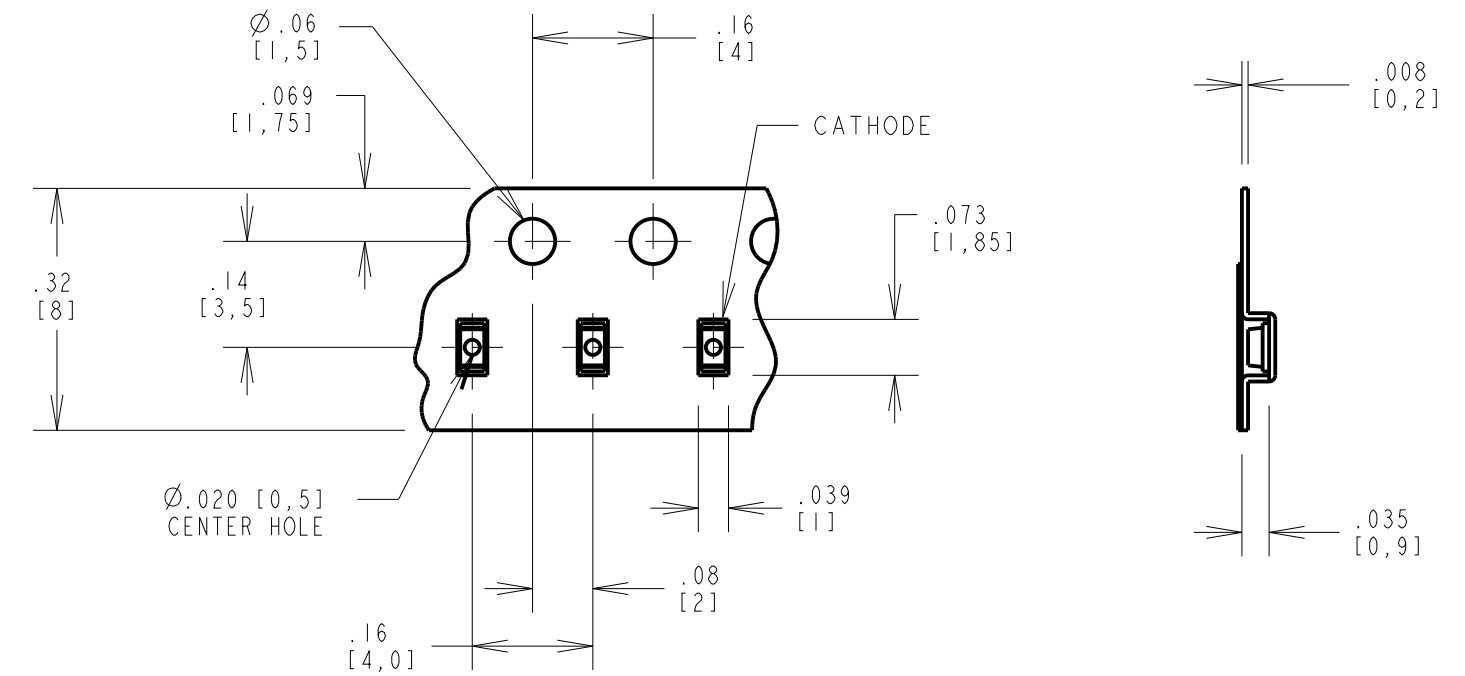
DIALIGHT PART NO.	LED COLOR	LED CHIP MATERIAL	EPOXY COLOR
597-5312-407NF, -402NF	GREEN	GaP	CLEAR DIFFUSED



ATTENTION:
OBSERVE PRECAUTIONS FOR
HANDLING ELECTROSTATIC
SENSITIVE DEVICES

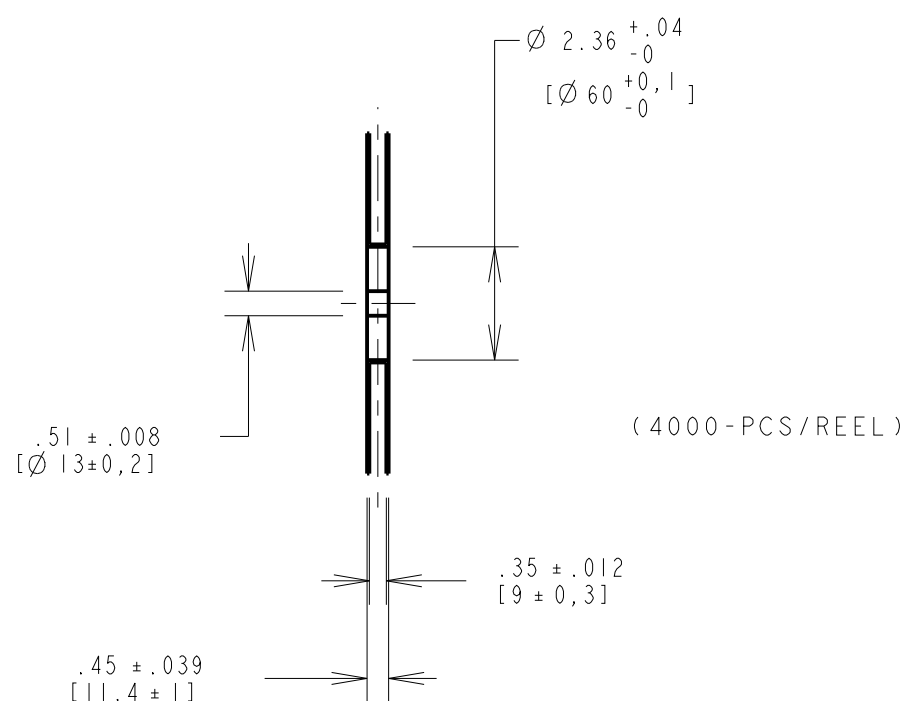


SOLDER PAD LAYOUT

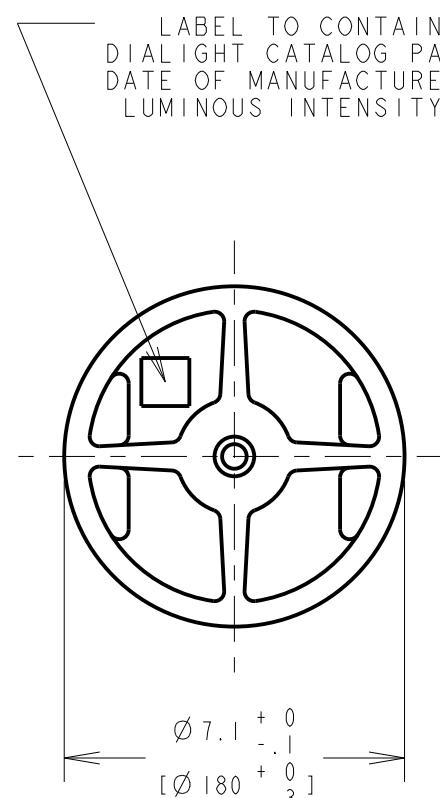


TAPE & REEL SPECIFICATION
NO SCALE

LABEL TO CONTAIN: DIALIGHT LOGO,
DIALIGHT CATALOG PART NUMBER, QUANTITY,
DATE OF MANUFACTURE, LOT NUMBER, RANK OF
LUMINOUS INTENSITY, COUNTRY OF ORIGIN.



REEL SPECIFICATION
NO SCALE



OPERATING CHARACTERISTICS AT 25°C AMBIENT													
PEAK WAVELENGTH (nm) TYP	DOMINANT WAVELENGTH (nm)			VIEWING ANGLE (°) 2 σ 1/2	LUMINOUS INTENSITY (mcd) @ I _f =20mA			FORWARD VOLTAGE (V) @ I _f =20mA			REVERSE CURRENT (I _R) (µA) V _R =4V		
	MIN	TYP	MAX		MIN	TYP	MAX	MIN	TYP	MAX	MIN	TYP	MAX
560	565	567	572	152	4.5	—	15.1	—	2.1	2.8	—	—	100

ABSOLUTE MAXIMUM RATINGS AT 25° C AMBIENT		GREEN	UNITS
POWER DISSIPATION		84	mW
FORWARD CURRENT		30	mA
PEAK FORWARD CURRENT ($\leq 1/20$ DUTY CYCLE $T_w \leq 1$ msec)		70	mA
REVERSE VOLTAGE		4	V
OPERATING TEMPERATURE		-40 TO +100	°C
STORAGE TEMPERATURE		-40 TO +120	°C
DERATE LINEARLY FROM 75°C		1.0	mA/C°

NOTES:

- SOLDER TERMINALS: GOLD (Au) PLATED, OVER NICKEL (Ni), COPPER (Cu) SUBSTRATE ON FR-4 LAMINATE
- SOLDER ADHERANCE: EACH PAD PER MIL-STD-202E, METHOD 208C.
- TAPE AND REEL AS PER EIA STANDARD 481-1, WITH CATHODE TOWARD SPROCKET.
- PARTS PACKAGED ON 180 mm DIA REEL, 8 mm TAPE, 4000/REEL (SEE SKETCH).
- TAPE AND REEL LEDS MAY REQUIRE RE-TAPING AFTER TWELVE MONTHS.
- DIALIGHT PART NUMBER: 597-5312-407NF AND 597-5312-402NF
- THIS PRODUCT IS Pb FREE. IT IS IN COMPLIANCE WITH THE EUROPEAN UNION'S ROHS DIRECTIVE. EACH BAG AND REEL IS MARKED WITH THE ROHS COMPLIANT LABEL P/N 9100-117-0852-99 OR EQUIVALENT
- THIS ASSEMBLY CONTAINS ELECTROSTATIC DISCHARGE SENSITIVE DEVICES (ESDS). MAINTAIN ALL PRECAUTIONARY MEASURES DURING ASSEMBLY, HANDLING, AND STORAGE IN ACCORDANCE WITH IPC-A-610.

THIS DRAWING AND THE CONTENTS HEREIN ARE CONFIDENTIAL AND THE SOLE PROPERTY OF DIALIGHT. REPRODUCTION OF THIS DRAWING OR CONSTRUCTION OF ANY PARTS WITHIN THIS DRAWING ARE FORBIDDEN WITHOUT THE WRITTEN CONSENT OF DIALIGHT.		
SCALE: DRAWING SCALE	DRAWING NUMBER	REV
ALL DIM'S IN: INCHES (MM)	C-18122	A
TOLERANCES: UNLESS OTHERWISE SPECIFIED	TITLE GREEN SM LED W/CLR LENS	
FRACTIONS: $\pm 1/64$	ROHS COMPLIANT	
DECIMALS (.XX): $\pm .01$	MATERIAL	
DECIMALS (.XXX): $\pm .005$	Dialight	
DECIMALS (.XXXX): $\pm .0005$	1501 ROUTE 34 SOUTH	
ANGLES: $\pm 1^\circ$	FARMINGDALE, NJ 07727	
FINISH:	FSCM 83330	SHEET 1 OF 1 FAMILY TABLE: