



# 16mm Panel Mount Momentary Pushbutton - Black

PRODUCT ID: 1505

OUT OF STOCK

Please enter your details below and we will send you an email when this item is back in stock. You will only be emailed about this product!

YOUR EMAIL

NOTIFY ME

---

ADD TO WISHLIST

DESCRIPTION

TECHNICAL DETAILS

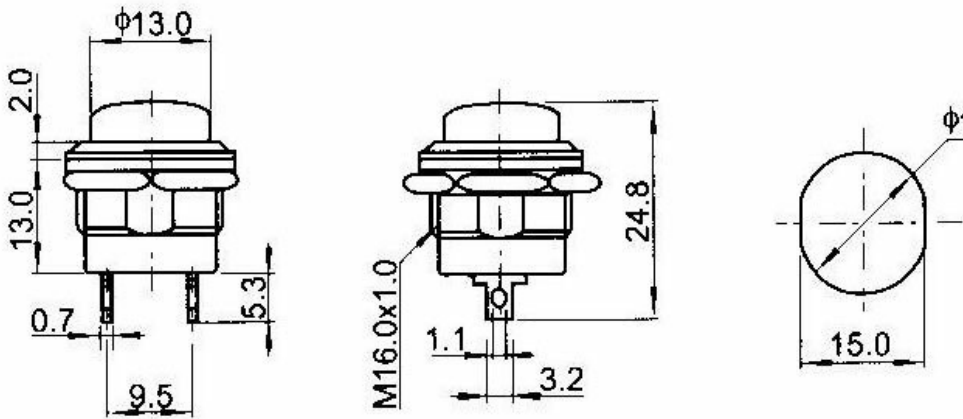


## DESCRIPTION

OK, this item is pretty simple - it's a panel mount pushbutton. It's not that exciting, no LEDs, no bells & whistles. But we really like it anyways – look at that lovely rounded shape, that elegant bevel. If you're going to go with a momentary pushbutton, let it be this one!

The button is a normally-open micro-switch. When pressed, the contacts short closed and [Bob's your uncle!](#)

## TECHNICAL DETAILS



- Max Dimensions: 18.06mm / 0.7" x 18mm / 0.7" x 29.4mm / 1.15"
- Shaft Dimensions: 14.89mm / 0.58" x 15.56mm / 0.6" x 18.7mm / 0.73"
- Button Height: 5mm / 0.2"
- Button Height Depressed: 3.5mm / 0.15"
- Weight: 4.6g



## LEARN



[Instant Camera using Raspberry Pi and Thermal Printer](#)

Pixelated photo DIY chic



[Raspberry Pi Face Recognition Treasure Box](#)

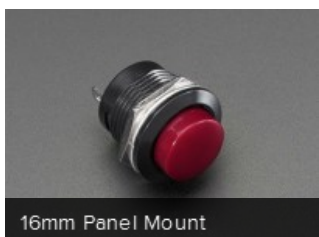
Create a box that only opens when the right person looks at it!



[Cupcade: the Raspberry Pi Micro Arcade Cabinet](#)

A tiny tribute to classic 1980s games

## MAY WE ALSO SUGGEST...



16mm Panel Mount



Arcade Button - 30mm



Arcade Button - 30mm



16mm Panel Mount



Arcade Button - 30mm



Arcade Button - 30mm



16mm Panel Mount



Arcade Button - 30mm



Arcade Button - 30mm



16mm Panel Mount



Mini On/Off Push-Button

DISTRIBUTORS [EXPAND TO SEE DISTRIBUTORS](#)