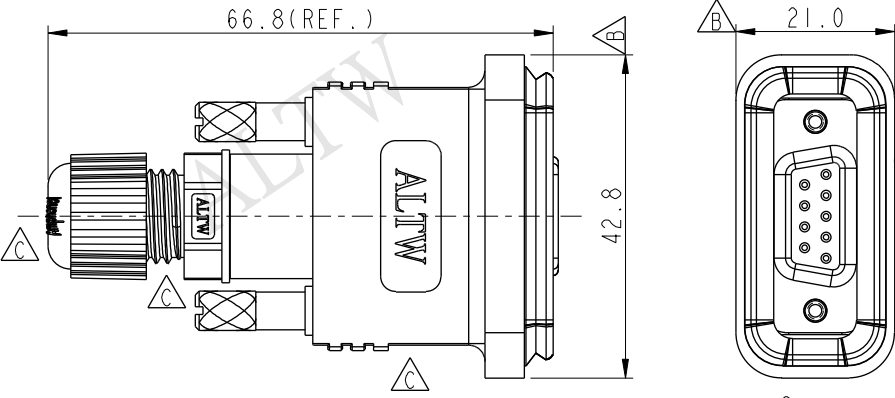
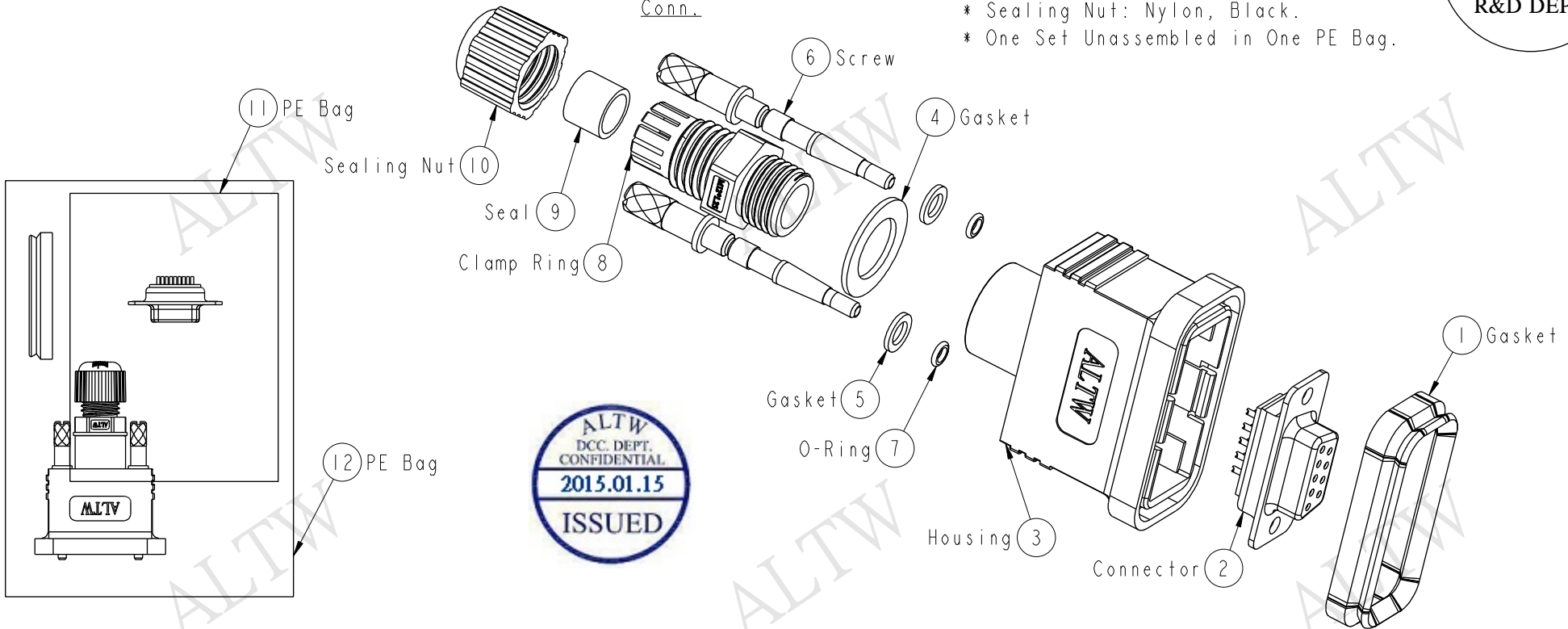
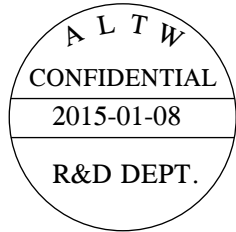


REV.	ECN NO.	DATE	SIGN	DESCRIPTION
B	LEN-050023	2010/04/10	Li Xiu Zhi	Change Dimension.
C	LEN1510156	2015/01/08	Vicky	Update Logo



- Note:
- * Waterproof Rate: IP67
 - * Housing: ABS, Black.
 - * Connector: D-SUB 09Pin, Female Pin: Brass, Gold Flash.
 - * Gasket: EPDM, Black.
 - * Screw: Brass, Nickel Plated.
 - * O-Ring: Silicone, Clear.
 - * Seal For Cable OD: $\varnothing 3.5\text{mm} \sim \varnothing 7.0\text{mm}$
 - * Clamp Ring: Nylon, Black.
 - * Seal: EPDM, Black.
 - * Sealing Nut: Nylon, Black.
 - * One Set Unassembled in One PE Bag.



UNIT:mm		
TOLERANCE	$\pm 0.5 \text{ mm}$	

TITLE D-SUB 9Pin Assembly Type			
SCALE 1:1	SIZE A4	SHEET 1 OF 1	
REV. C	WC-REV. A.2	QC: Inspection item	

Amphenol LTW
安費諾亮泰企業股份有限公司

ITEM NO SDB-09BFFA-SL7001	DRAWN BY Vicky	DATE 2015-01-08
DWG NO SDB-09BFFA-SL7001	CHECKED BY Sam	DATE 2015-01-08
CUSTOMER ALTW	APPROVED BY Rita	DATE 2015-01-08

THIS DOCUMENT IS SUBJECT TO CHANGE WITHOUT NOTICE. IT IS CONFIDENTIAL AND A PROPERTY OF AMPHENOL LTW. DISCLOSURE TO THIRD PARTY HAS TO BE AUTHORIZED BY AMPHENOL LTW.