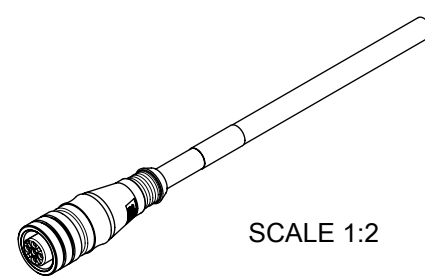
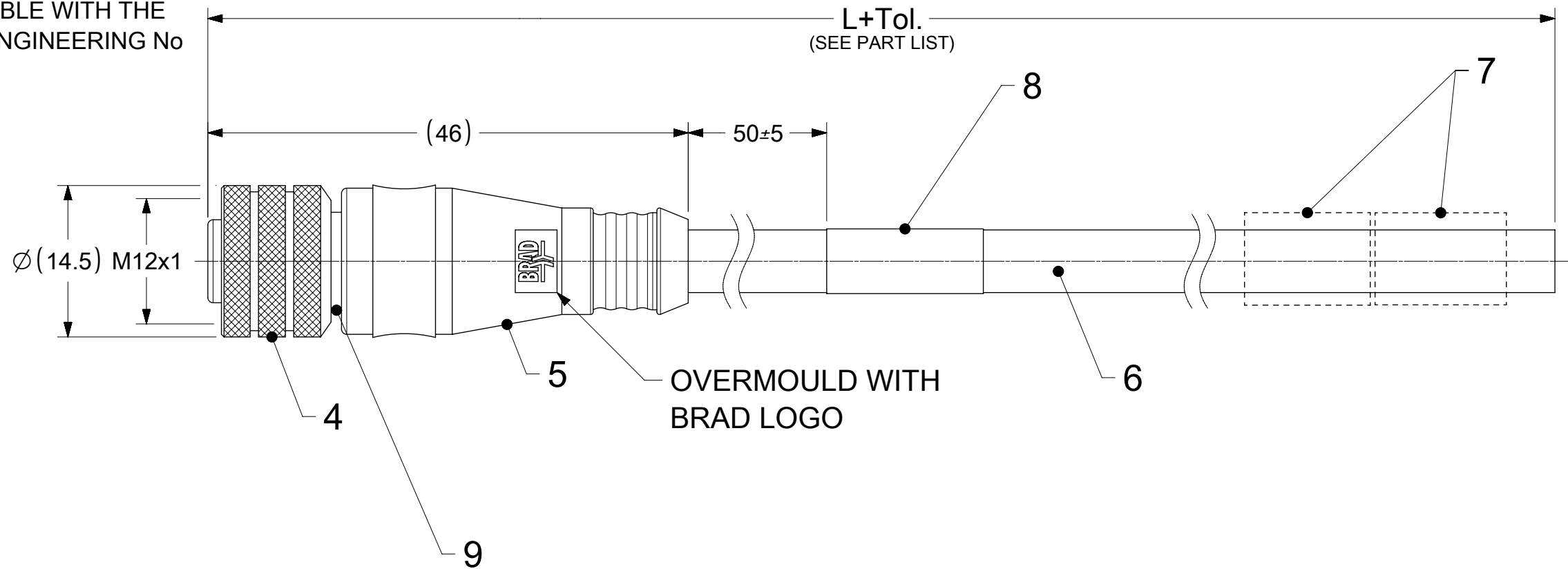
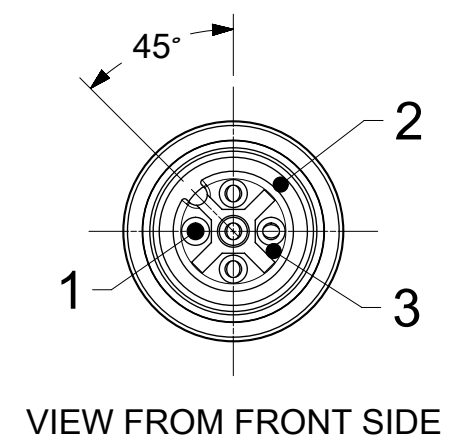


NOTES :

RATED VOLTAGE: 3, 4 contacts 250V per IEC 60664  
 5 contacts 60V per IEC 60664  
 5 contacts 250V per UL 2238  
 RATED CURRENT: 3, 4, 5 contacts 4A  
 PROTECTION CLASS: IP 67  
 TEMPERATURE: -25°C / +85°C



FOR CABLES Ixx USE PRINTING ON THE CABLE WITH THE SAME MEASUREMENT LIKE FOR LABEL – ENGINEERING No



VIEWS FROM THE FRONT SIDE					
3 POLE		4 POLE		5 POLE	
1	3	1	2	1	2
2	3	2	3	2	3
3	4	3	4	3	4
PIN	COLOR	PIN	COLOR	PIN	COLOR
1	BN	1	BN	1	BN
2	---	2	WH	2	WH
3	BU	3	BU	3	BU
4	BK	4	BK	4	BK
				5	GY or GN-YE

BOM

ITEM	QTY.	DESCRIPTION	MATERIAL	FINISH/COLOR
9	1	SHEILD SLEEVE	BRASS	Ni-PLATED
8	1	LABEL	VINYL	YELLOW
7	2	ID-CARRIERS	---	---
6	-	CABLE	SEE SHEET 2	SEE SHEET 2
5	-	OVERMOULDING	TPU	BLACK
4	1	COUPLING NUT FEMALE	BRASS	NICKEL
3	1	INSERT FEMALE	PUR/TPU	BLACK
2	2	O-RING	FPM	RED
1	3/4/5	CONTACT FEMALE	BRASS	SELECTIVE Au OVER Ni

CABLE LENGTH TOLERANCES

OVER [mm]	UP TO AND INCLUDING [mm]	TOLERANCES [mm]
0	305	+19
305	915	+45
915	1830	+56
1830	3660	+89
3660	7320	+165
7320	14640	+317
14640	30500	+610
30500	>	+2% of finished length

THIS DRAWING CONTAINS INFORMATION THAT IS PROPRIETARY TO MOLEX ELECTRONIC TECHNOLOGIES, LLC AND SHOULD NOT BE USED WITHOUT WRITTEN PERMISSION

SYMBOLS

▽ = 0	mm	SCALE 2:1
▽ = 0	GENERAL TOLERANCES (UNLESS SPECIFIED)	
▽ = 0	ANGULAR TOL ± 1.0°	
▽ = 0	4 PLACES ±	
▽ = 0	3 PLACES ±	
▽ = 0	2 PLACES ± 0.05	
▽ = 0	1 PLACE ± 0.3	
▽ = 0	0 PLACES ± 0.5	
▣ = 0	DRAFT WHERE APPLICABLE MUST REMAIN WITHIN DIMENSIONS	

CURRENT REV DESC: MIGRATED TO ECTR

EC NO: 619628  
 DRWN: SSM 2019/06/19  
 CHK'D: RSILLER 2019/06/25  
 APPR: RSILLER 2019/06/25

INITIAL REVISION:  
 DRWN: AKONDRACIUK 2015/09/10  
 APPR: MIWASIECZKO 2015/09/29

THIRD ANGLE PROJECTION

DRAWING SERIES: B-SIZE 120069

MOLEX

CSE M12 XP AC FE STR  
 XXX XM SE SHLD

PRODUCT CUSTOMER DRAWING

DOCUMENT NUMBER: SD-120069-035  
 DOC TYPE: PSD  
 DOC PART: 001  
 REVISION: A1

MATERIAL NUMBER: SEE SHEET 2  
 CUSTOMER: GENERAL MARKET  
 SHEET NUMBER: 1 OF 2

# ENGINEERING MATRIX

8 0 X S 0 0 X X X X X X X X X X

OPTIONAL

88=Micro-Change  
M12x1  
Single ended

Poles:  
3=3  
4=4  
5=5

Shielded Female Straight

Cable type: See table

Units : Meter

Length examples:  
005=0.5  
010=1  
100=10

Overmold color:  
Blank=BK TPU  
Blank=YE for cables A09, S19, S20, S26  
Blank=YE TPE-E for cables K03, K05  
A=GY | G= BK | Y= YE

Coupling Nut:  
Blank (Standard)=Knurled Brass Ni Plated  
1=Hexagonal Stainless steel

H= 2pcs. of I/D Carrier



Cables lxx & P82 always with 2 pcs. of I/D Carrier even if no H in Engineering No.

## CABLE LIST

CABLE TYPE	NO. OF WIRES	CROSS SECTION	CABLE JACKET	UL	CSA	STATIC: TEMP. / BENDING RADIUS	DYNAMIC: TEMP. / BENDING RADIUS	DRAG CHAIN	SHIELD
I26	5	0.34mm <sup>2</sup>	PVC CEI GREY	-	-	-30°C to +70°C	-5°C to +70°C	-	YES
S20	3 / 4 / 5	0.34mm <sup>2</sup>	PVC YELLOW	UL 2661/1731	C22.2 II A 105°C/300V	-30°C to +105°C	-	-	YES
P20	3/4/5	0.34mm <sup>2</sup>	PUR BLACK LSOH	-	-	-40°C to +90°C	-25°C to +90°C	-	YES
S26	5	0.34mm <sup>2</sup>	PVC YELLOW	UL 2661/1731	C22.2 II A 105°C/300V	-30°C to +105°C	-	-	YES

## PART LIST

No.	Part No.	Engineering No.	Cable Length	No.	Part No.	Engineering No.	Cable Length	No.	Part No.	Engineering No.	Cable Length
1	1200100084	803S00P20M030	3000	21	1200698164	804S00S20M100	10000	41	1200698145	805S00P20M020G	2000
2	1200100127	803S00S20M100	10000	22	1200698165	804S00S20M150	15000	42	1200698158	805S00I26M100	10000
3	1200698007	803S00P20M020	2000	23	1200698166	804S00S20M200	20000	43	1200698159	805S00I26M250	25000
4	1200698008	803S00P20M050	5000	24	1200698319	804S00P20M050Y	5000	44	1200698398	805S00P20M010	1000
5	1200698009	803S00P20M100	10000	25	1200698348	804S00P20M060	6000	45	1200698484	805S00P20M100H	10000
6	1200698426	803S00S20M200	20000	26	1200698445	804S00P20M010	1000	46	1200698753	805S00P20M0501	5000
7	1200100007	804S00P20M020	2000	27	1200699460	804S00S20M040	4000	47	1200698754	805S00P20M1501	15000
8	1200100008	804S00P20M050	5000	28	1200699499	804S00S20M050	5000	48	1200699414	805S00P20M600	60000
9	1200100009	804S00P20M250	25000	29	1200699626	804S00P20M300	30000	49	1200699416	805S00P20M030	3000
10	1200100043	804S00P20M100	10000	30	1200100014	805S00P20M100	10000	50			
11	1200100096	804S00P20M070	7000	31	1200100048	805S00P20M050	5000				
12	1200100198	804S00S20M030	3000	32	1200100081	805S00P20M150	15000				
13	1200698013	804S00P20M040	4000	33	1200698002	805S00P20M015	1500				
14	1200698014	804S00P20M150	15000	34	1200698018	805S00P20K001	100000				
15	1200698015	804S00S20M070	7000	35	1200698019	805S00S26M010	1000				
16	1200698053	804S00P20M200	20000	36	1200698020	805S00S26M020	2000				
17	1200698070	804S00P20M0501	5000	37	1200698055	805S00P20M020	2000				
18	1200698071	804S00P20M400	40000	38	1200698059	805S00S26M006	600				
19	1200698086	804S00P20M030	3000	39	1200698125	805S00S26M050	5000				
20	1200698156	804S00S20M0501	5000	40	1200698126	805S00S26M150	15000				

SYMBOLS	THIS DRAWING CONTAINS INFORMATION THAT IS PROPRIETARY TO MOLEX ELECTRONIC TECHNOLOGIES, LLC AND SHOULD NOT BE USED WITHOUT WRITTEN PERMISSION												
∇ = 0	DIMENSION UNITS	SCALE	CURRENT REV DESC: MIGRATED TO ECTR									 CSE M12 XP AC FE STR XXX XM SE SHLD	
∇ = 0	mm	1:1											
∇ = 0	GENERAL TOLERANCES (UNLESS SPECIFIED)												
∇ = 0	ANGULAR TOL	± 1.0°	EC NO: 619628			2019/06/19					PRODUCT CUSTOMER DRAWING		
∇ = 0	4 PLACES	±	DRWN: SSM			2019/06/25					DOCUMENT NUMBER		
∇ = 0	3 PLACES	±	CHK'D: RSILLER			2019/06/25					DOC TYPE DOC PART REVISION		
∇ = 0	2 PLACES	± 0.05	APPR: RSILLER			2019/06/25					SD-120069-035 PSD 001 A1		
∇ = 0	1 PLACE	± 0.3	INITIAL REVISION:								MATERIAL NUMBER CUSTOMER SHEET NUMBER		
∇ = 0	0 PLACES	± 0.5	DRWN: AKONDRACIUK			2015/09/10					SEE PART LIST GENERAL MARKET 2 OF 2		
∇ = 0	DRAFT WHERE APPLICABLE MUST REMAIN WITHIN DIMENSIONS		THIRD ANGLE PROJECTION		DRAWING	SERIES	MATERIAL NUMBER		CUSTOMER		SHEET NUMBER		
∇ = 0					B-SIZE	120069	SEE PART LIST		GENERAL MARKET		2 OF 2		