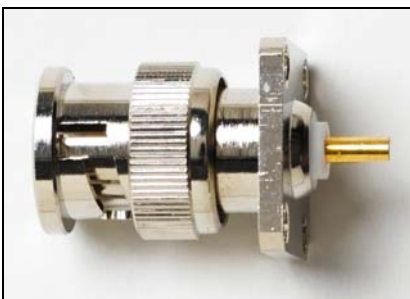
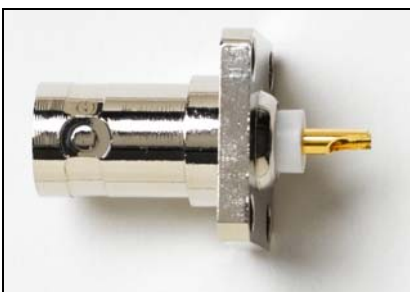


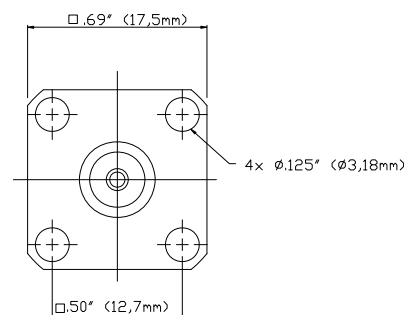
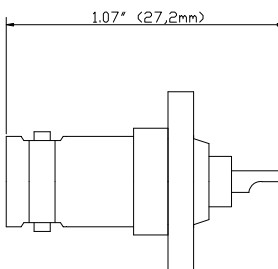
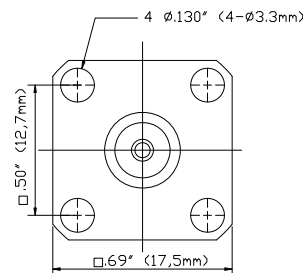
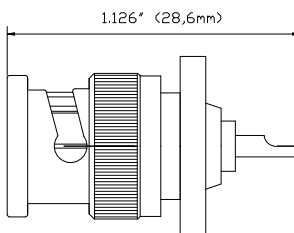
Models 6735, 6736
BNC (M), BNC (F) Panel Mount 75 Ω (0.5" spacing)



Model 6735
BNC (M) Panel Mount, 75 Ω



Model 6736
BNC (F) Panel Mount Receptacle, 75 Ω



Use for your 75 Ω panel mount broadcast applications.

Features

- U-shaped solder cup for easy solder installation
- Precision machined with gold plated contacts
- PTFE (not delrin)

Materials

- Body is machined brass with tarnish resistant nickel plating (not die cast).
- Male center pin contacts are gold plated (20 micro inches) brass. Female center contacts: Gold plated heat treated beryllium copper.
- High quality machined PTFE dielectric.

Ordering Information

Model: 6735, BNC (M) PANEL MOUNT, 75 OHM
Model: 6736, BNC (F) PANEL RECEPTACLE, 75 OHM

Specifications

Nominal Impedance	75 Ω
Voltage	500 Vrms
Frequency	0-3 GHz
VSWR	1.10 Max. 0-1 GHz 1.35 Max. 1-3 GHz
Center Contact Resistance	1.5 mΩ
Insulation Resistance	5000 MΩ
Number of Insertions	500
Operating Temperature	-85°F to +131°F (-65°C to +155°C) Max.

USA: Sales: 800-490-2361
Technical Support: technicalsupport@pomonatest.com
Fax: 425-446-5844
Europe: 31-(0) 40 2675 150 **International:** 425-446-5500
Where to Buy: www.pomonaelectronics.com

All dimensions are in inches. Tolerances (except noted): .xx = ±.02" (.51 mm), .xxx = ±.005" (.127 mm). All specifications are to the latest revisions. Specifications are subject to change without notice. Registered trademarks are the property of their respective companies.

Mouser Electronics

Authorized Distributor

Click to View Pricing, Inventory, Delivery & Lifecycle Information:

Pomona:

6735 6736