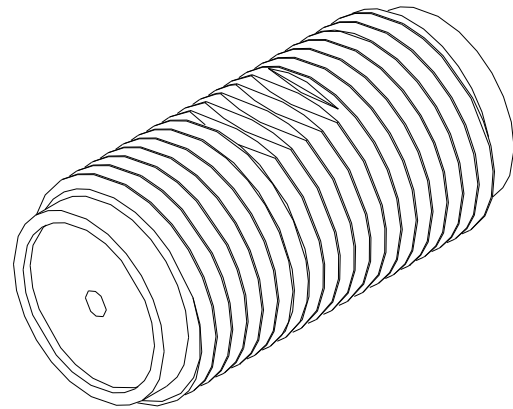
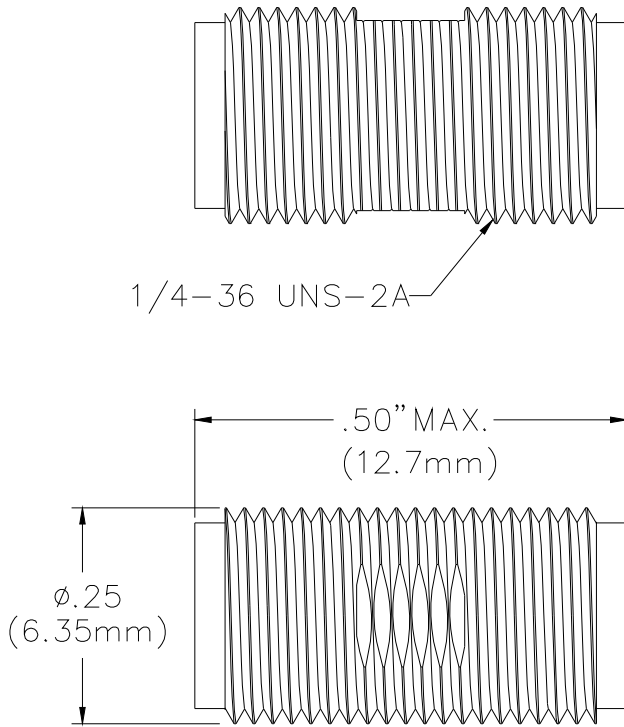


**Models 4284
SMA Female To Female Adapter**



MATERIALS:

Body: Gold Plated Beryllium Copper per QQ-C-530, Cond. HT.

Center Contact (Female): Gold Plated Beryllium Copper per QQ-C-530, Cond. HT

Insulation: Teflon per L-P-403.

Finish:

Body and Contact: Gold plate per MIL-G-45204, Type II, Class 2.

RATINGS:

Operating Temperature: -65°C. (-85°F.) to +165°C. (+329°F.)

Operating Voltage: 1000 VRMS, 60 Hz at sea level

Insulation Resistance: 5000 Megohms Min.

Frequency Range: 0-12.4 GHz.

USA: Sales: 800-490-2361 Technical Support: 800-241-2060 Fax: 888-403-3360

Europe: 31-(0) 40 2675 150 **International:** 425-446-5500

e-mail: technicalsupport@pomonatest.com

Where to Buy: www.pomonaelectronics.com

All dimensions are in inches. Tolerances (except noted): .xx = ±.02" (.51 mm), .xxx = ±.005" (.127 mm). All specifications are to the latest revisions. Specifications are subject to change without notice. Registered trademarks are the property of their respective companies.

Mouser Electronics

Authorized Distributor

Click to View Pricing, Inventory, Delivery & Lifecycle Information:

[Pomona:](#)

[4284](#)