

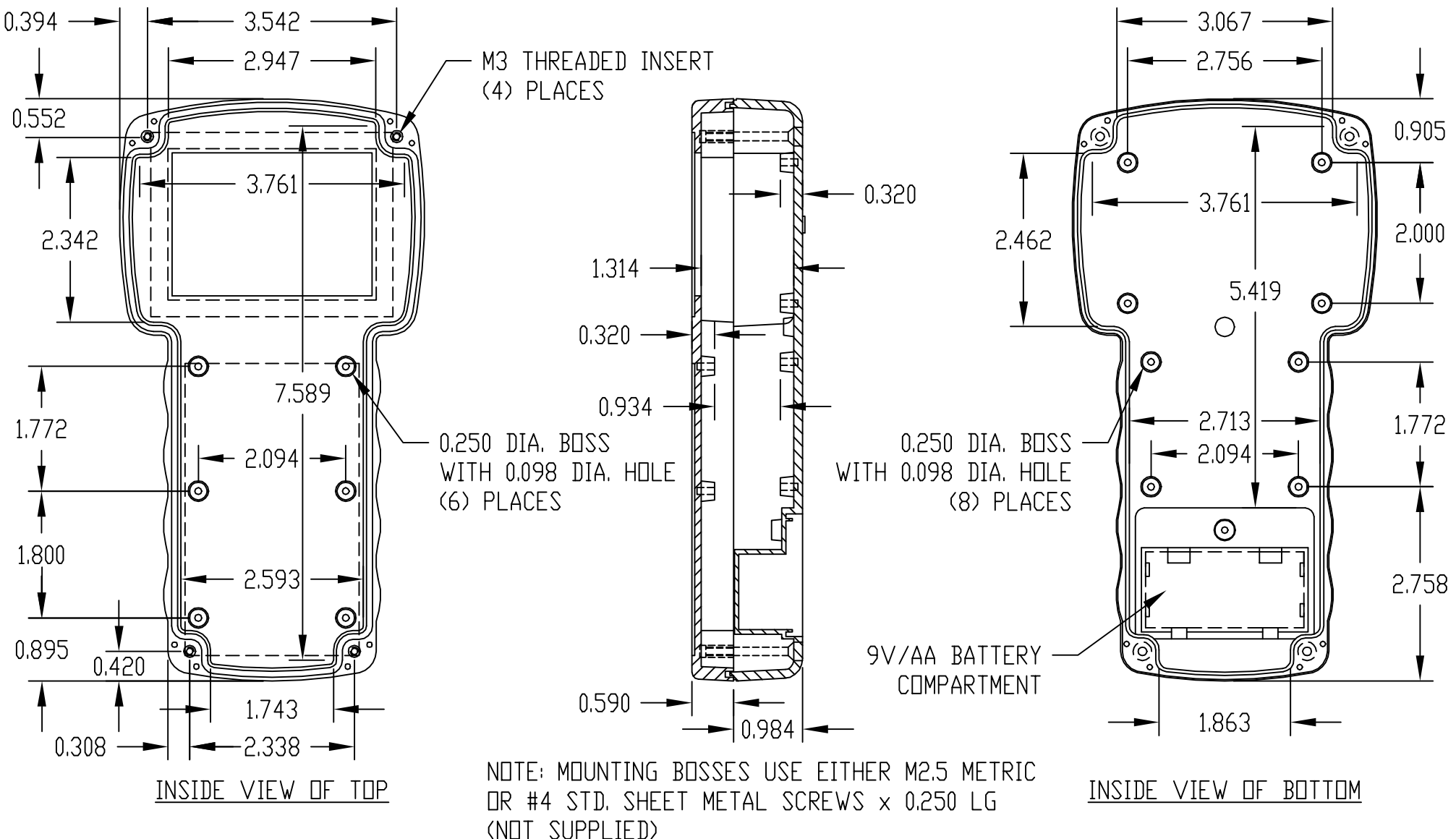
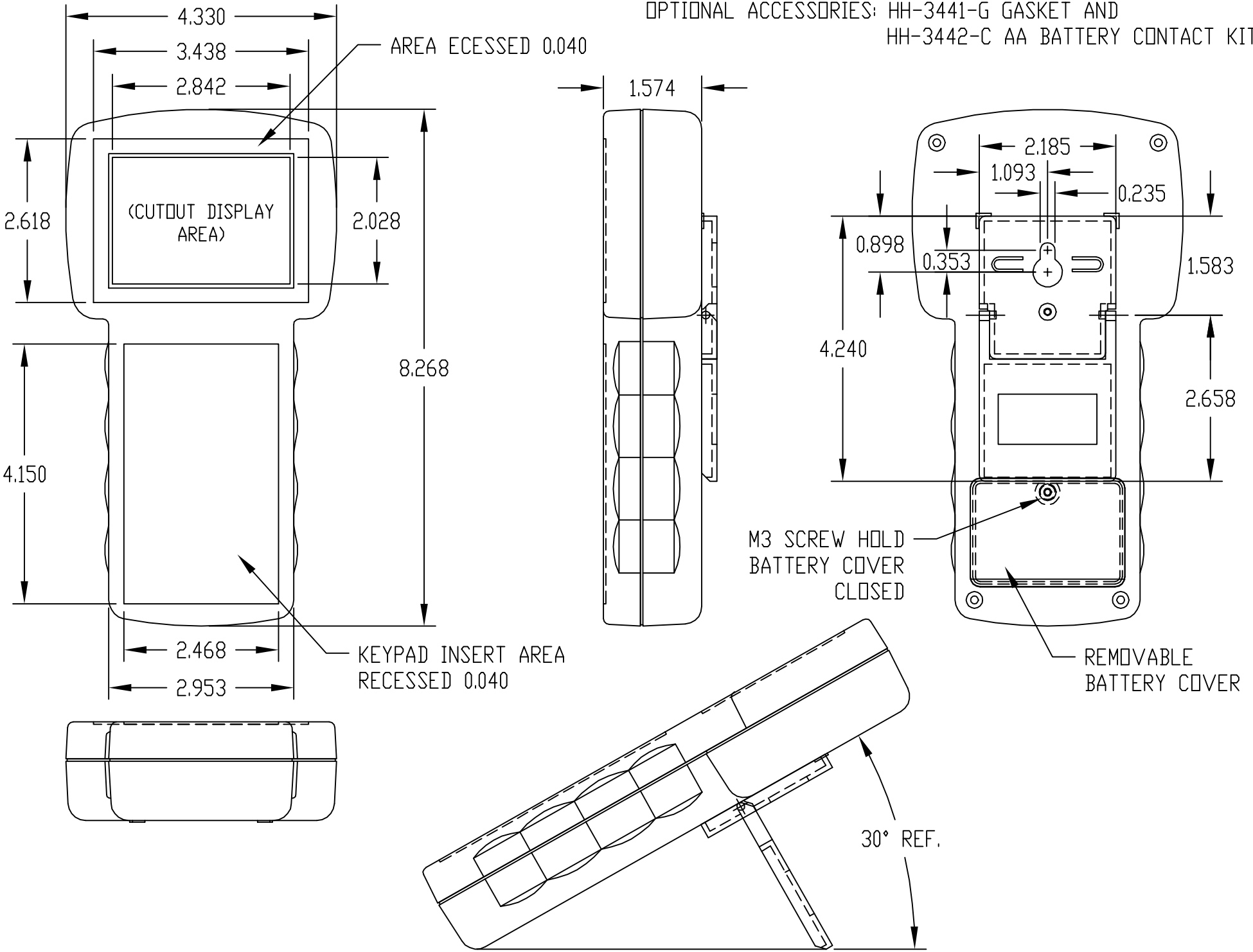
PART NAME	HAND HELD ENCLOSURE (STYLE G)	PART No.	HH-3499-BC-B & HH-3499-BC-G	REV. DATE	
-----------	-------------------------------	----------	-----------------------------	-----------	--

**MATERIAL:**  
HIGH-IMPACT ABS (FLAMMABILITY RATING OF UL94V-0)

ALL DIMENSIONS HAVE  $\pm 0.015$  TOLERANCE.

**FINISH:**  
(SUFFIX -B) \_\_\_\_\_ BLACK  
(SUFFIX -G) \_\_\_\_\_ LIGHT GRAY

FOUR (4) M3  $\times$  1.173 LG. SCREWS SUPPLIED FOR ASSEMBLY.  
ONE (1) M3  $\times$  0.394 LG. SCREW SUPPLIED FOR TILT STAND.  
WALL MOUNT/TILT STAND SUPPLIED UNASSEMBLED.  
OPTIONAL ACCESSORIES: HH-3441-G GASKET AND  
HH-3442-C AA BATTERY CONTACT KIT



NOTE: MOUNTING BOSSES USE EITHER M2.5 METRIC OR #4 STD. SHEET METAL SCREWS  $\times$  0.250 LG (NOT SUPPLIED)

# Mouser Electronics

Authorized Distributor

Click to View Pricing, Inventory, Delivery & Lifecycle Information:

[Bud Industries:](#)

[HH-3499-BCG](#) [HH-3499-BCB](#)