

Tact Switch

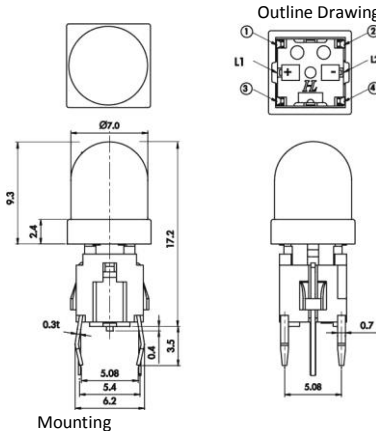
Q-9799

TYPE: **PB6146L**



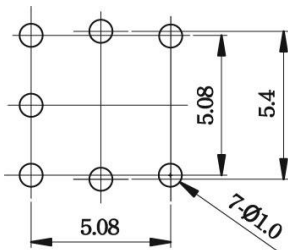
SPECIFICATIONS

Contact Type	SPST
Rating	DC 12V, 50mA
Contacts Resistance	100mΩ Max
Insulation Resistance	100MΩ Min
Minimum Load	DC 500V
Dielectric Strengths	AC 250V / 1 minute
Life Test	300 000 Cycles Min
Operating temperature range	-20°C to +70°C
Operating Force	160 ± 50gf

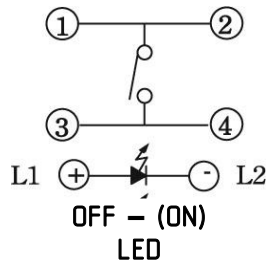


LED Color

1	Red
2	Yellow
3	Green
4	Blue
5	White
-	Non-illuminated



Circuitry



107023, Москва, ул. Буженинова, д. 16
 телефон: (495) 963-6120
 факс: (495) 963-4994
 e-mail: quartz1@quartz1.ru

111123, Москва, шоссе Энтузиастов, д31
 телефон/факс: (495) 788-8899 *многоканальный*
 e-mail: mqz@quartz1.ru