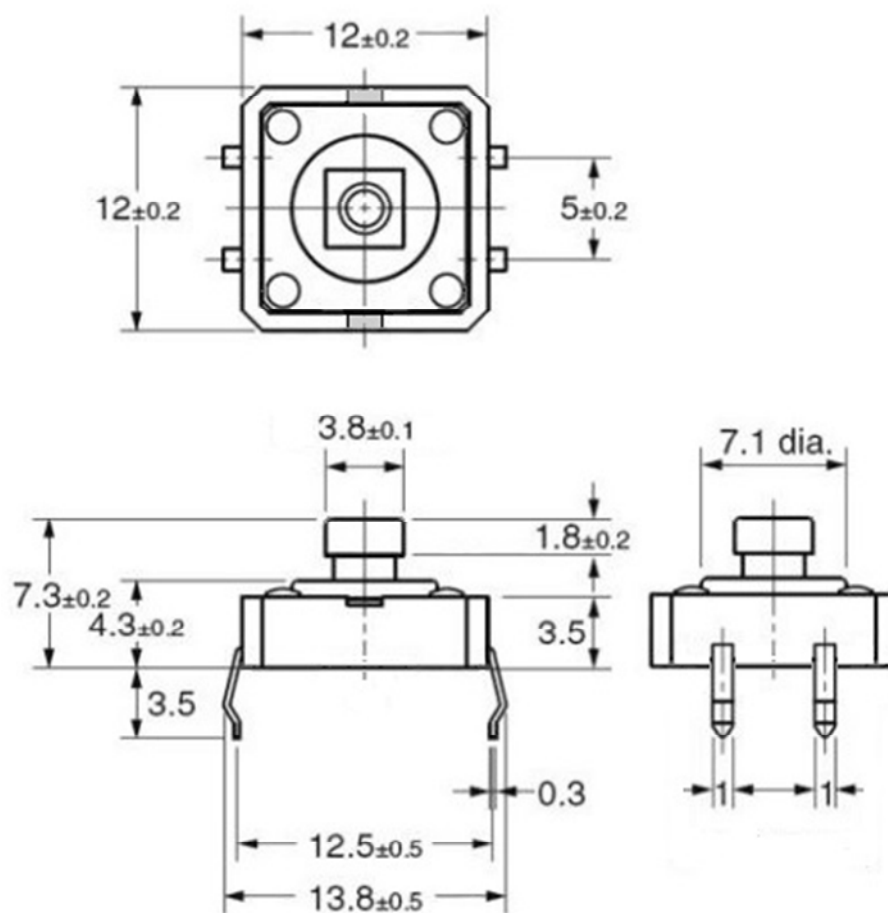
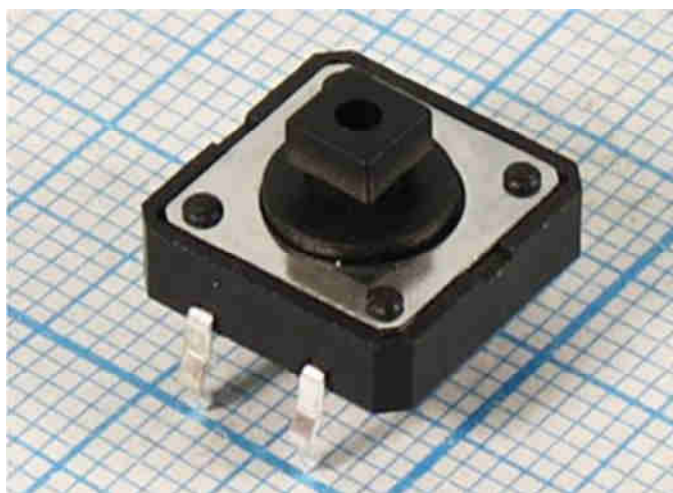
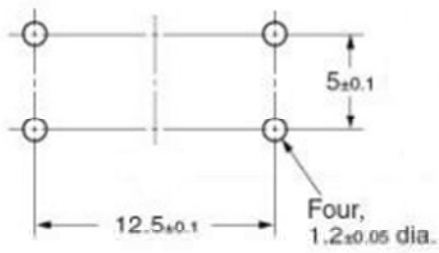


Тактовая кнопка-переключатель для монтажа в отверстие, серии
TSA.

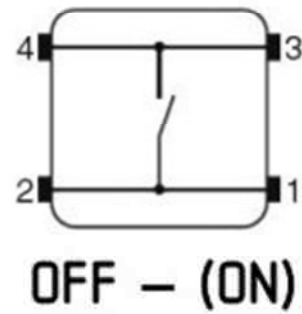
TSA6-2



Mounting



Circuitry



OFF – (ON)

SPECIFICATIONS

Contact Type	SPST-NO
Rating	DC 24V, 50mA
Contacts Resistance	100mΩ Max
Insulation Resistance	100MΩ Min
Minimum Load	DC 500V
Dielectric Strengths	AC 500V / 1 minute
Life Test	3 000 000 Cycles Min
Operating temperature range	-25°C to +70°C
Operating Force	130 ± 50gf