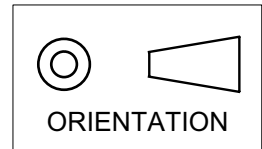


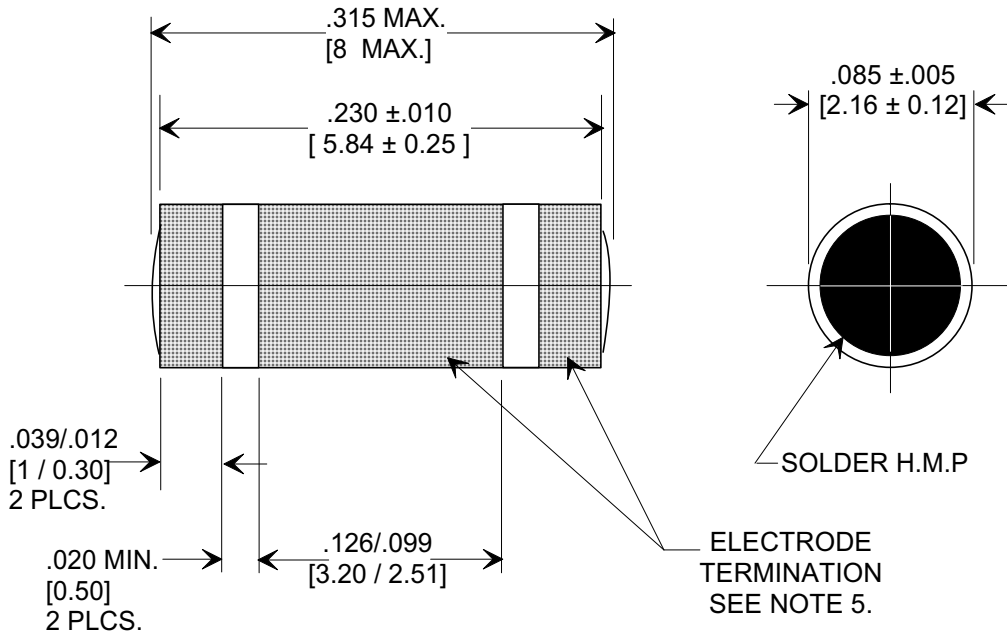
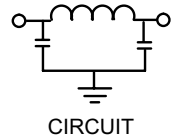
MARKETING SALES DRAWING

DIMENSIONS IN INCHES - DO NOT SCALE THIS DRAWING
DIMENSIONS IN METRIC []

This drawing is the property of Tusonix, Inc., and may not be used, reproduced, published or disclosed to others without expressed authorization by Tusonix Inc.

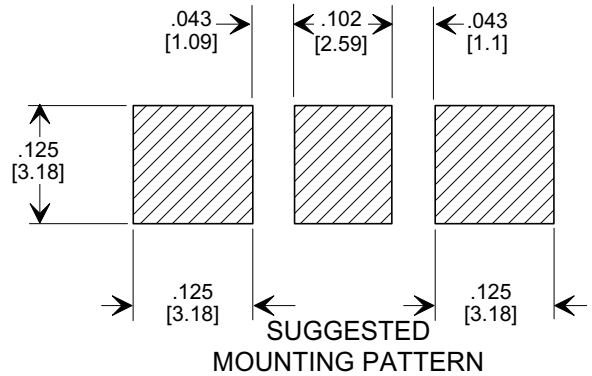


**Electrical Testing
per Tusonix standard
test plans and Mil-Std-202
Test Methods.**



NOTES:

- INDUCTANCE TO BE 0.1 μH MINIMUM.
- PACKAGE: BULK OR BLISTER TAPE TO IEC-60286-3 TYPE II AND EIA-481-A.
- TUSONIX STANDARD PART NUMBER: 4700-056.
TUSONIX RoHS COMPLIANT PART NUMBER: 4700-056 LF.
CUSTOMER MUST SPECIFY STANDARD OR RoHS PART NUMBER WHEN ORDERING.
- PART MARKING - STANDARD PART: NO MARKING.
RoHS PART: LABELED ON PACKAGING ONLY.
- TERMINATION: STANDARD PART: SOLDER
RoHS COMPLIANT PART: MATTE TIN.



CAP.	TOLERANCE	WVDC +125°C	TEST VOLTAGE	I.R.MIN. @ 100 (VDC.)	IDC	TYPICAL NO LOAD INSERTION LOSS dB AT 25°C PER MIL-STD-220		
						10 MHZ	100 MHZ	1 GHZ
5000 pF	-20% / +80%	100 @+85°C	300 VDC	10 G Ω	10 A	15	55	70

REVISION RECORD Original Release C.O. ADDED NOTES 3,4 & 5. S.M. 06-09-05 20050607-6-02 ADDED PROPERTY NOTE. REVISED NOTES 2. S.M. 03-09-07 20070301-1-19	0	--TOLERANCES-- Unless Otherwise Specified DECIMAL ± .005 [0.12] ANGLES ±	14	Title SURFACE MOUNT ROUND STYLE PI FILTER Drawn FG 9-9-94 Scale 10 X Approved NV 9-9-94 A	
	15		TUSONIX TUCSON, ARIZONA		4700-056

X-2015 Rev-0

Mouser Electronics

Authorized Distributor

Click to View Pricing, Inventory, Delivery & Lifecycle Information:

[Tusonix / CTS:](#)

[4700-056MLF](#)