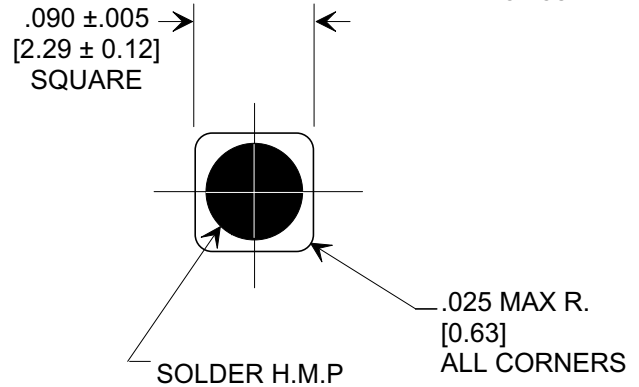
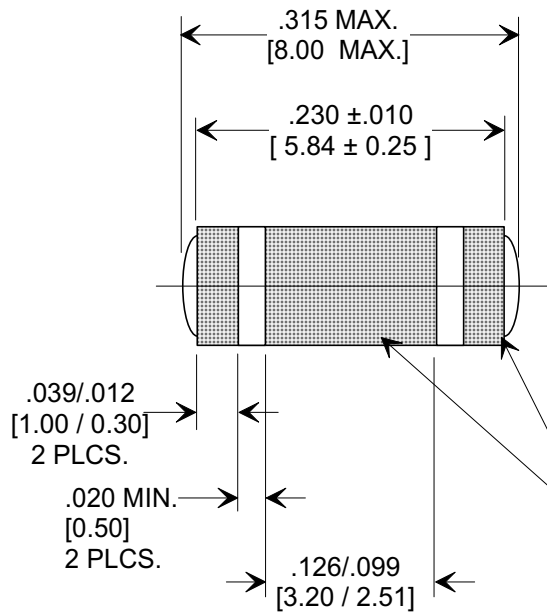
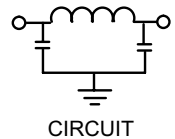
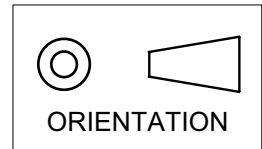


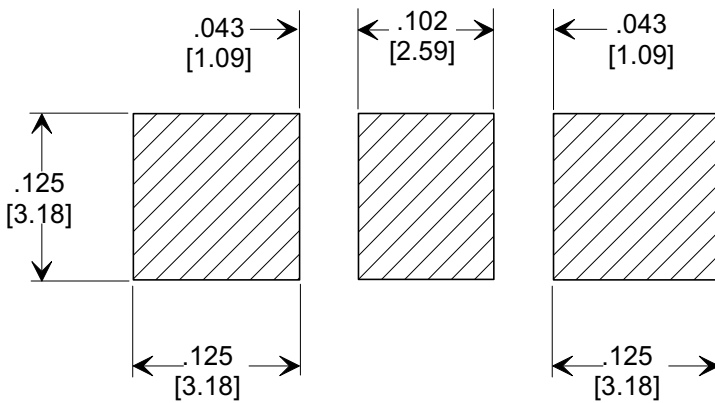
MARKETING SALES DRAWING

DIMENSIONS IN INCHES - DO NOT SCALE THIS DRAWING  
 DIMENSIONS IN METRIC [ ]

Electrical Testing  
 per Tusonix standard  
 test plans and Mil-Std-202  
 Test Methods.



ELECTRODE  
 TERMINATION  
 SEE NOTE 5



SUGGESTED  
 MOUNTING PATTERN

1. INDUCTANCE TO BE 0.1 H MINIMUM.
2. PACKAGE: BULK OR BLISTER TAPE TO IEC-60286-3 TYPE II AND EIA-481-A.
3. TUSONIX STANDARD PART NUMBER: 4700-008.  
 TUSONIX RoHS COMPLIANT PART NUMBER: 4700-008 LF.  
 CUSTOMER MUST SPECIFY STANDARD OR RoHS PART NUMBER WHEN ORDERING.
4. PART MARKING: STANDARD PART: NO MARKING.  
 RoHS PART: LABELED ON PACKAGING ONLY.
5. ELECTRODE TERMINATION: STANDARD 60/40 SOLDER; RoHS COMPLIANT - MATTE TIN.

CAP.	TOLERANCE	WVDC 85°C	TEST VOLTAGE	I.R.MIN. @ 100 (VDC.)	IDC	TYPICAL NO LOAD INSERTION LOSS dB AT 25°C PER MIL-STD-220		
						10 MHZ	100 MHZ	1 GHZ
4000 pF	+80% / -20%	100	300 VDC	10 G	10 A	13	52	70

X-2015 Rev-0

REVISION RECORD	Original Release C.O.	0
	REVISED DWG. DRAWING MADE FOR EACH VAR. S.M. 02-13-03	12
	20030213-1-05	13
	REVISED DRAWING. S.M. 06-20-03	14
	20030619-2-04	14
ADDED NOTES 3-5. S.M. 06-13-05	20050607-5-03	

--TOLERANCES-- Unless Otherwise Specified		Title <b>SURFACE MOUNT SQUARE STYLE PI FILTER</b>	
DECIMAL ± .005 [0.13]	Drawn FG 9-9-94		Scale 7 X
ANGLES ±	Approved NV 9-9-94		
<b>TUSONIX</b> TUCSON, ARIZONA		<b>A</b>	<b>4700-008</b>

# Mouser Electronics

Authorized Distributor

Click to View Pricing, Inventory, Delivery & Lifecycle Information:

[Tusonix / CTS:](#)

[4700-008MLF](#)