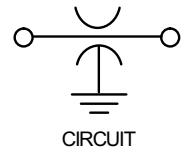
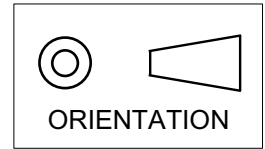
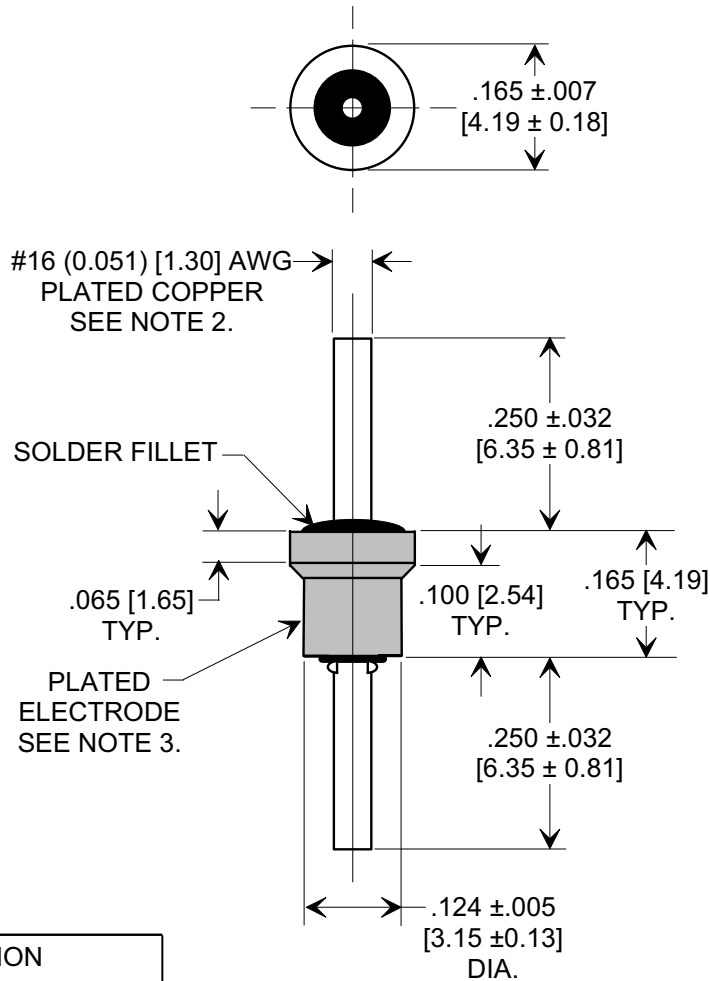


This drawing is the property of Tusonix, Inc., and may not be used, reproduced, published or disclosed to others without expressed authorization by Tusonix Inc.

MARKETING SALES DRAWING
DIMENSIONS IN INCHES - DO NOT SCALE THIS DRAWING
DIMENSIONS IN METRIC - []



Electrical Testing
per Tusonix standard
test plans and Mil-Std-202
Test Methods.



#16 (0.051) [1.30] AWG
 PLATED COPPER
 SEE NOTE 2.

SOLDER FILLET

.065 [1.65]
 TYP.

PLATED
 ELECTRODE
 SEE NOTE 3.

.165 ± .007
 [4.19 ± 0.18]

.250 ± .032
 [6.35 ± 0.81]

.100 [2.54]
 TYP.

.165 [4.19]
 TYP.

.250 ± .032
 [6.35 ± 0.81]

.124 ± .005
 [3.15 ± 0.13]
 DIA.

OPERATING INFORMATION

STYLE NO.	2461-001
VALUE	1000 pF
VALUE TOL.	+100% / -0%
TEMP. COEF.	X7V
RATING	100VDC@+125°C
OPERATING RANGE	-55°C,+125°C
DWV	600
I.R. MIN @ 100VDC	10 GΩ
TO TUSONIX SPEC. UNLESS STATED OTHERWISE.	

NOTES:

1. TUSONIX STANDARD PART NUMBER: 2461-001-X7V0-102P.
 TUSONIX RoHS COMPLIANT PART NUMBER:
 2461-001-X7V0-102P LF.
 CUSTOMER MUST SPECIFY STANDARD OR RoHS PART NUMBER
 WHEN ORDERING.
2. LEAD FINISH: STANDARD PART #: 60/40 SOLDER PLATED. RoHS
 PART #: SILVER PLATED.
3. ELECTRODE FINISH: STANDARD PART #: 60/40 SOLDER PLATED.
 RoHS PART #: MATTE TIN PLATED.
4. PART MARKING: STANDARD PART: NO MARKING. RoHS PART:
 MARKING ON PACKAGING ONLY.

X-2015 Rev-0 REVISION RECORD Original Release C.O. ECO-659	A	TUSONIX TUCSON, ARIZONA	--TOLERANCES-- Unless Otherwise Specified	Title SHOULDER FEED-THRU	
			DECIMAL ± .015 [38]	Drawn L.E. 04-14-09	Scale 4 X
			ANGLES ±	Approved R.L. 04-14-09	
				A	2461-001-X7V0-102P

Mouser Electronics

Authorized Distributor

Click to View Pricing, Inventory, Delivery & Lifecycle Information:

[Tusonix / CTS:](#)

[2461-001-X7V0-102PLF](#)