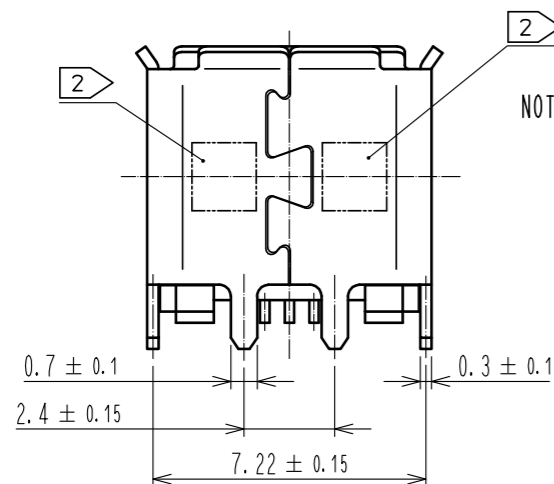
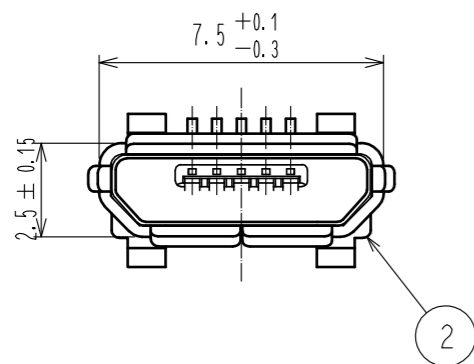
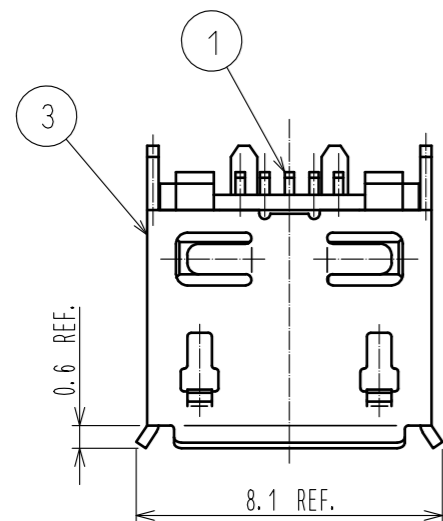
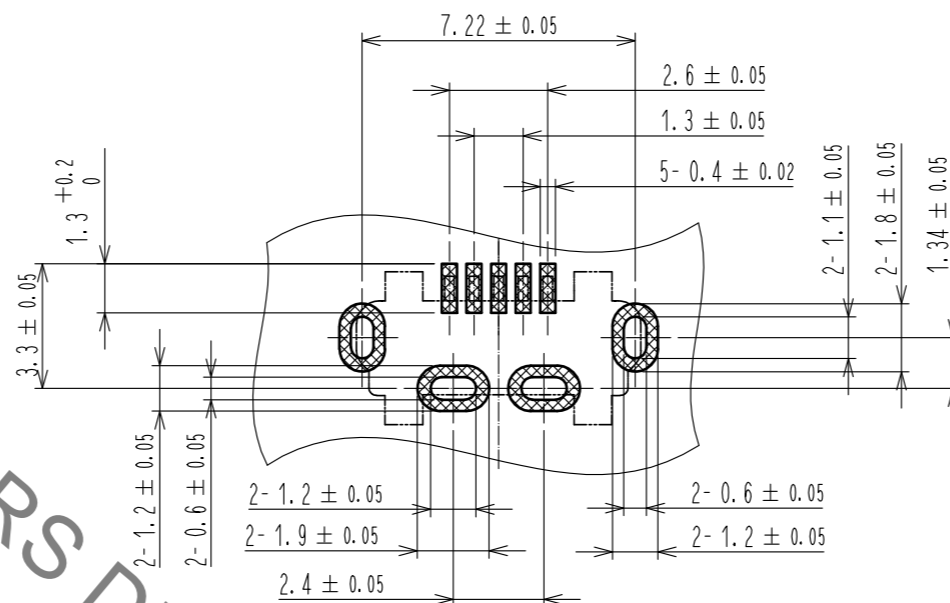


Jan.1.2022 Copyright 2022 HIROSE ELECTRIC CO., LTD. All Rights Reserved.
 In case of consideration for using Automotive equipment / device which demand high reliability, kindly contact our sales window correspondents.

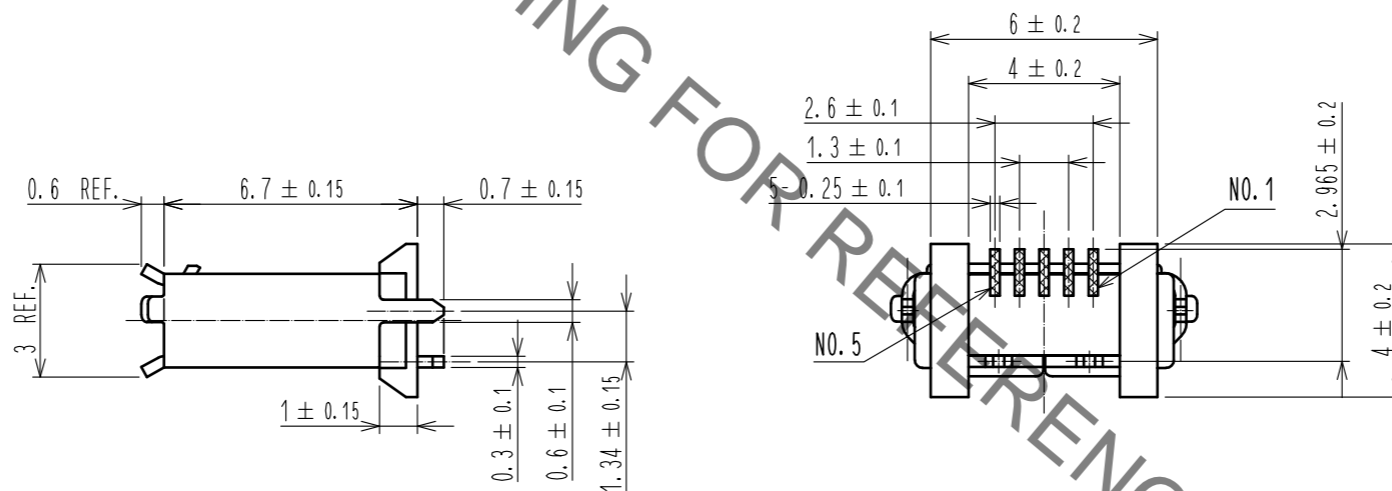
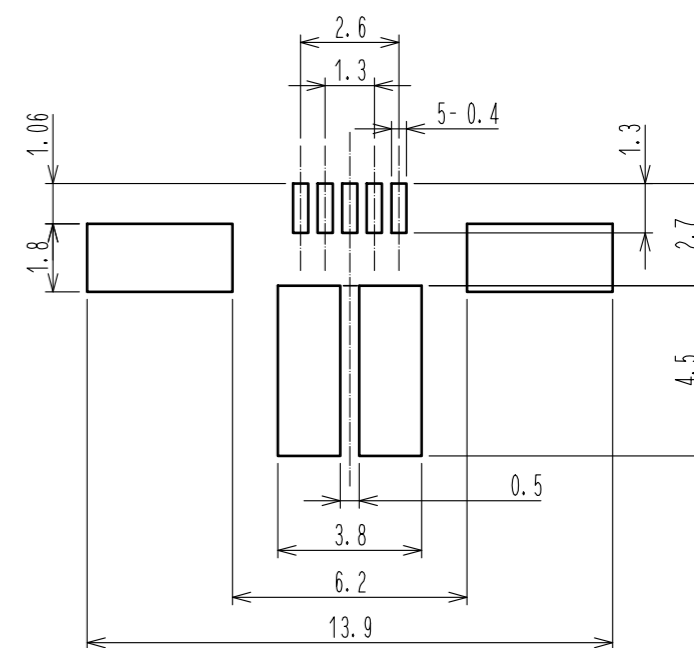


NOTE 1 CO-PLANARITY IS WITHIN 0.08.
 2 LOT No. SHALL BE INDICATED AT THE POSITION AS SHOWN.
 3 PLATING
 CONTACT AREA : GOLD PLATE 0.75 μm MIN.
 LEAD AREA : GOLD PLATE 0.05 μm MIN.
 UNDER PLATING : NICKEL 2 μm MIN.
 4 1 REEL : 400 pcs.
 5 AS FOR PART No. 3, THE PERFORMANCE REMAINS GOOD EVEN IF THERE IS A RUBBING WOUND BY THE ASSEMBLY PROCESS. AND THE PERFORMANCE REMAINS GOOD EVEN IF THERE IS A DIFFERENCE OF THE COLOR OF PLATING WITH THE MANUFACTURING LOT.

PCB LAYOUT FOR REFERENCE (FREE)



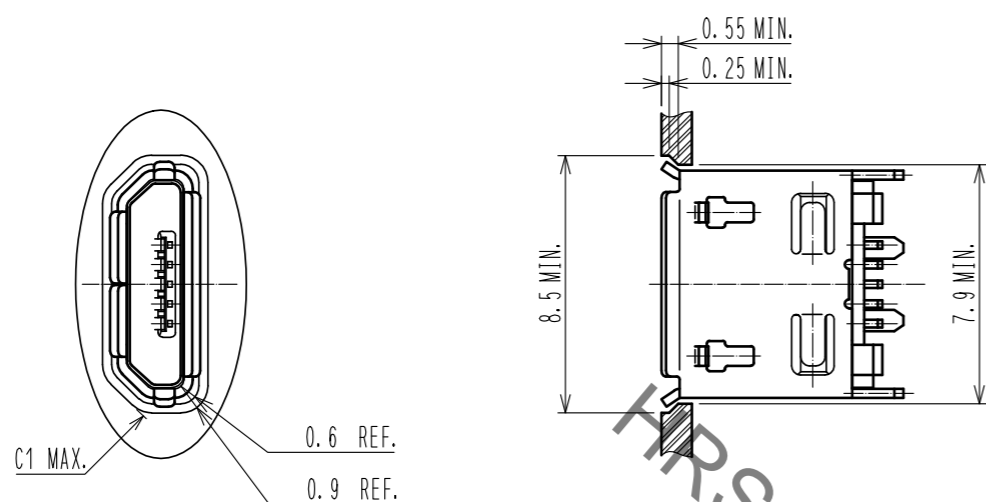
METAL MASK FOR REFERENCE (FREE)
 (THICKNESS:0.1mm)



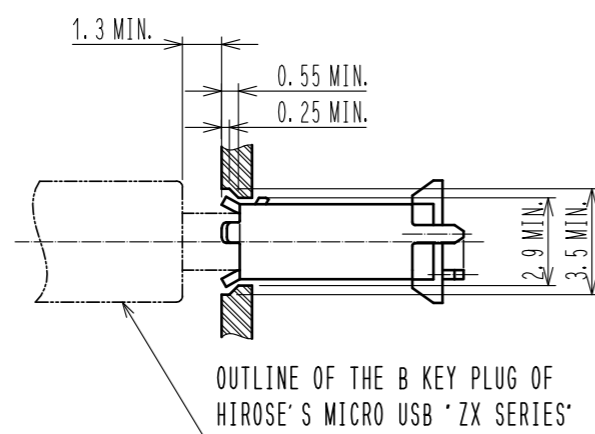
3	STAINLESS STEEL	UNDER PLATING: NICKEL 0.2 μm MIN. OVER PLATING : TIN 1μm MIN. LUBRICANT	6	PE	
2	LCP	BLACK UL94V-0	5	PS	
1	COPPER ALLOY	3	4	POLYAMIDE RESIN	
NO.	MATERIAL	FINISH . REMARKS	NO.	MATERIAL	FINISH . REMARKS
UNITS mm		SCALE 5 : 1	COUNT	DESCRIPTION OF REVISIONS	
DESIGNED		CHECKED		DATE	
APPROVED : NM. NISHIMATSU 15.10.27			DRAWING NO. EDC-126723-31-00		
CHECKED : KN. ICHIKAWA 15.10.27			PART NO. ZX80-B-5P(31)		
DESIGNED : TS. ITO 15.10.27			CODE NO. CL242-0051-0-31		
DRAWN : AK. AKIYAMA 15.10.27			1/2		

Jan.1.2022 Copyright 2022 HIROSE ELECTRIC CO., LTD. All Rights Reserved.
 In case of consideration for using Automotive equipment / device which demand high reliability, kindly contact our sales window correspondents.

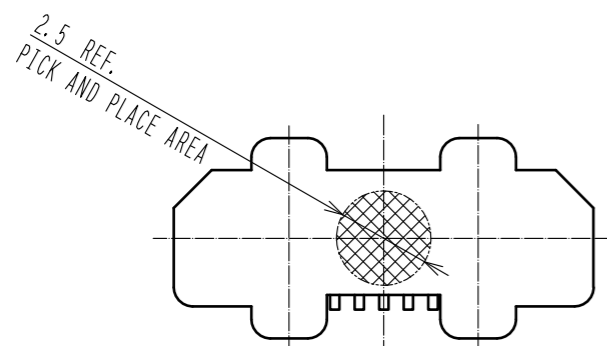
RECOMMENDED PANEL CUTOUT (4:1)



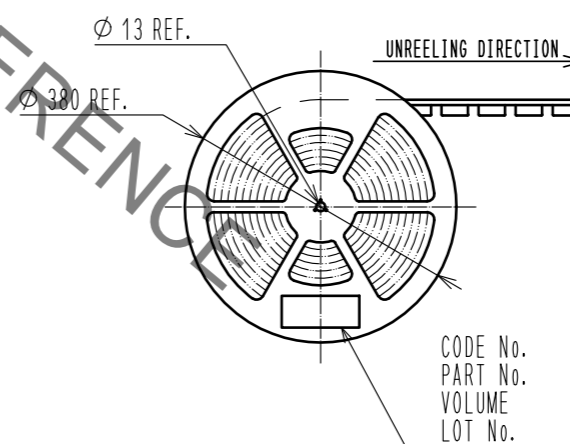
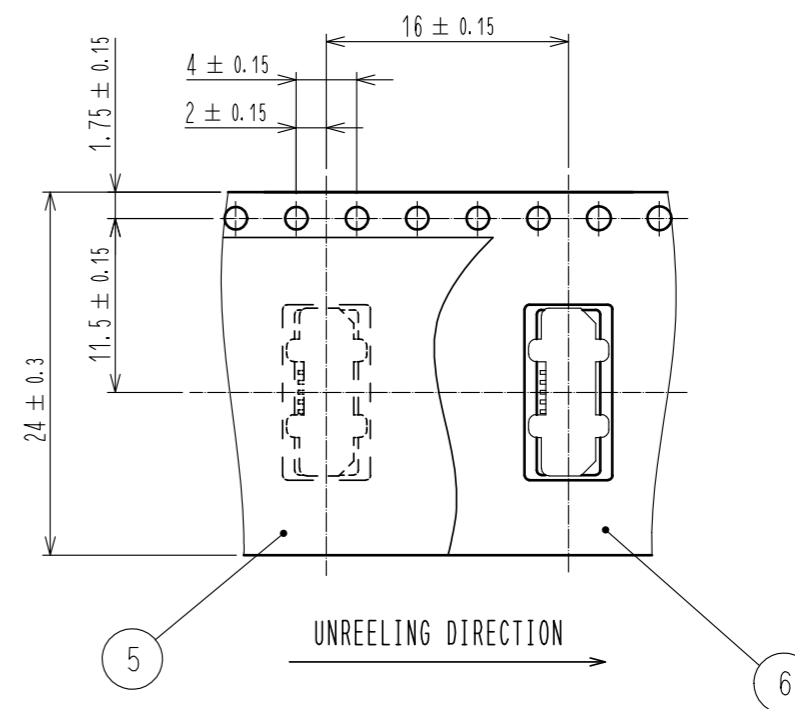
MATED WITH CORRESPONDING PLUG(4:1)



PICK AND PLACE CAP



DRAWING FOR PACKING (FREE)



HRS	DRAWING NO.	EDC-126723-31-00
	PART NO.	ZX80-B-5P(31)
	CODE NO.	CL242-0051-0-31
		2/2

Mouser Electronics

Authorized Distributor

Click to View Pricing, Inventory, Delivery & Lifecycle Information:

[Hirose Electric:](#)

[ZX80-B-5P\(31\)](#)