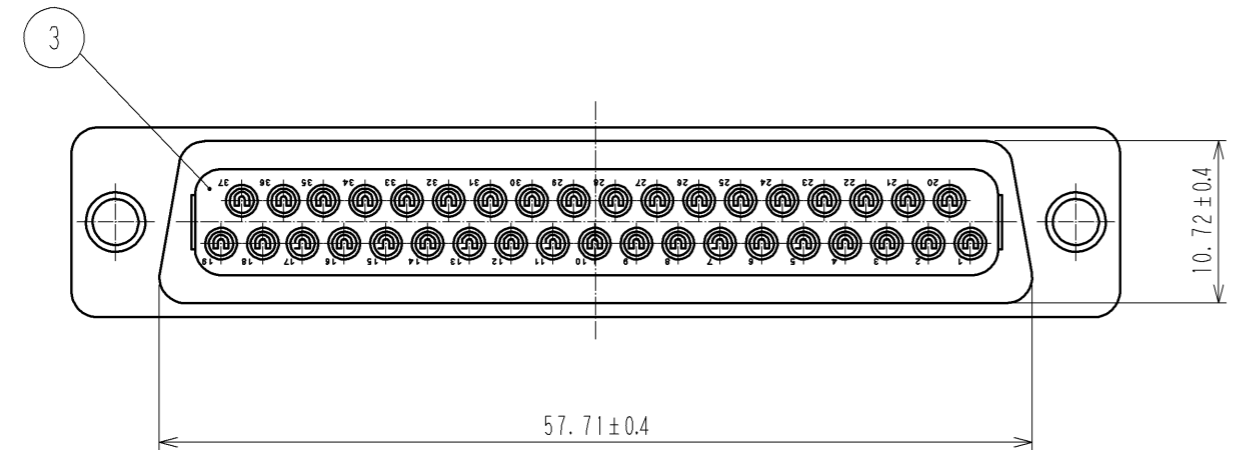
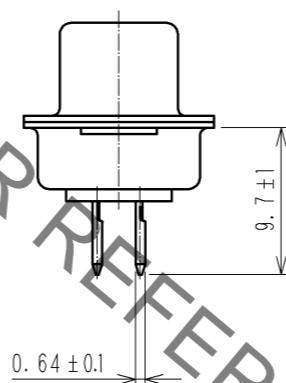
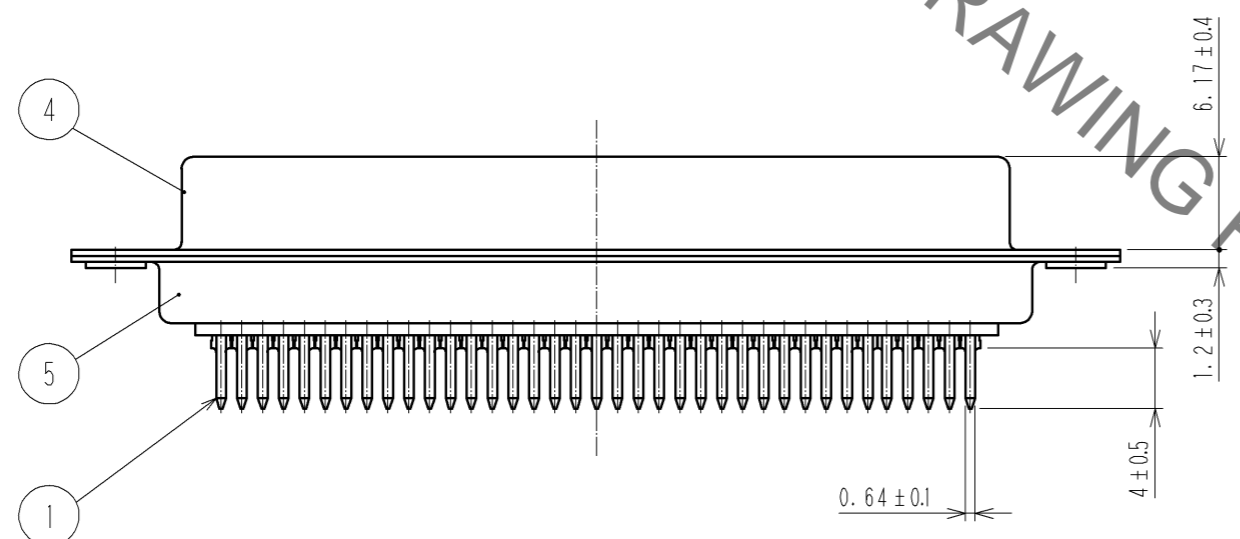
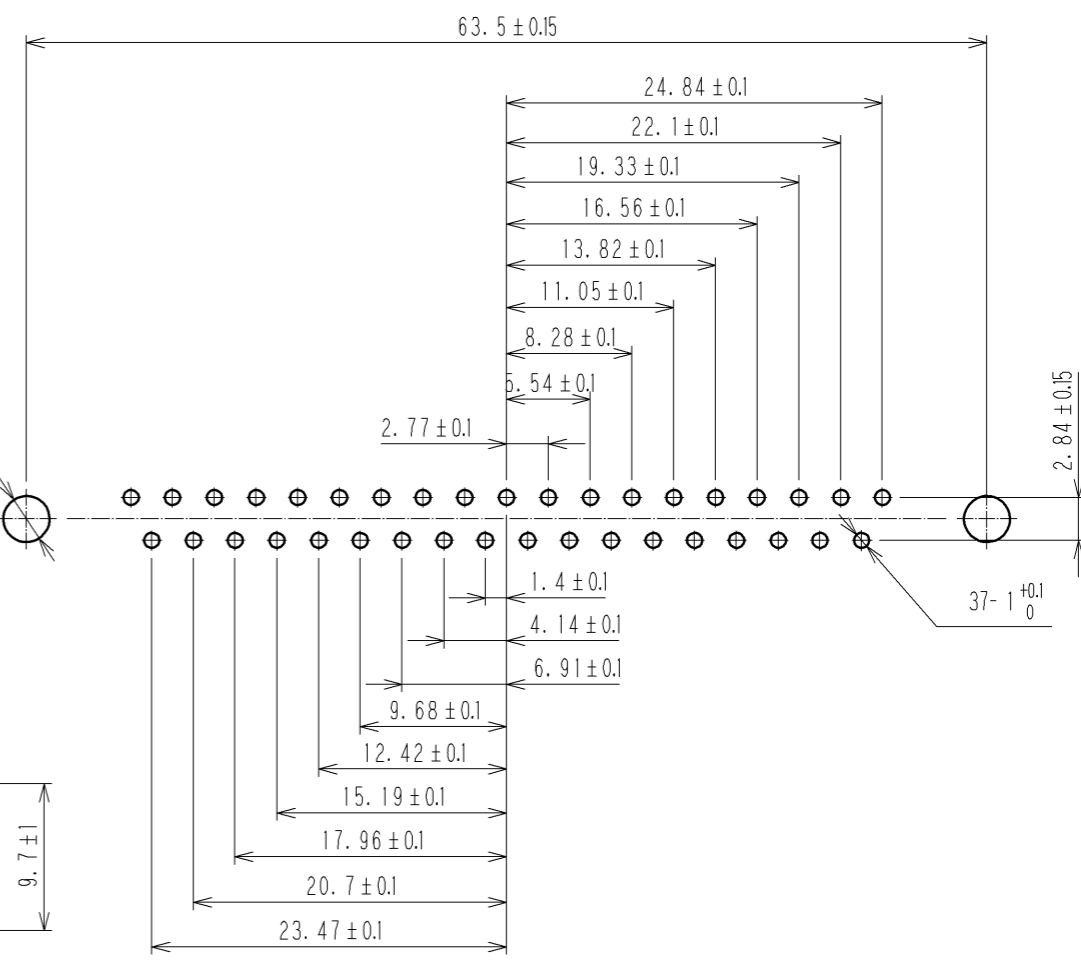
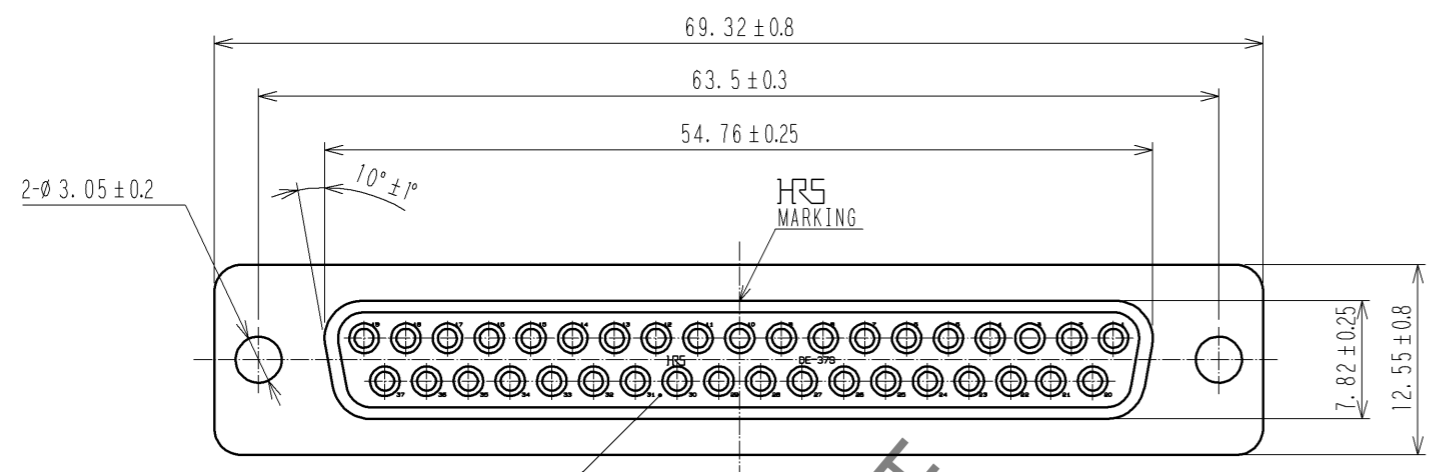


Jan.1.2022 Copyright 2022 HIROSE ELECTRIC CO., LTD. All Rights Reserved.  
In case of consideration for using Automotive equipment / device which demand high reliability, kindly contact our sales window correspondents.

**RECOMMENDED PC BOARD HOLE PATTERN**  
( MOUNTING SIDE )



HRS DRAWING FOR REFERENCE

3	PBT	BLACK·UL94V-0					
2	PBT	BLACK·UL94V-0					
1	PHOSPHOR BRONZE	CONTACT:GOLD PLATING 0.2#m min LEAD: GOLD PLATING 0.03#m min UNDER: NICKEL PLATING 2#m min	5	STEEL	OVER: NICKEL PLATING 2#m min UNDER: COPPER PLATING 5#m min		
			4	STEEL	OVER: NICKEL PLATING 1#m min UNDER: COPPER PLATING 5#m min		
NO.	MATERIAL	FINISH . REMARKS	NO.	MATERIAL	FINISH . REMARKS		
UNITS		SCALE	COUNT	DESCRIPTION OF REVISIONS		DESIGNED	CHECKED
mm		2 : 1	△				
<b>HRS</b> HIROSE ELECTRIC CO., LTD.		APPROVED : RI. TAKAYASU	11.03.29	DRAWING NO. EDC3-009841-02			
		CHECED : YH. ENAMI	11.03.29	PART NO. SDCB-37S(55)			
		DESIGNED : KI. NAGANUMA	11.03.28	CODE NO. CL211-0254-9-55			
		DRAWN : KI. NAGANUMA	11.03.28				

# Mouser Electronics

Authorized Distributor

Click to View Pricing, Inventory, Delivery & Lifecycle Information:

[Hirose Electric:](#)

[SDCB-37S\(55\)](#)