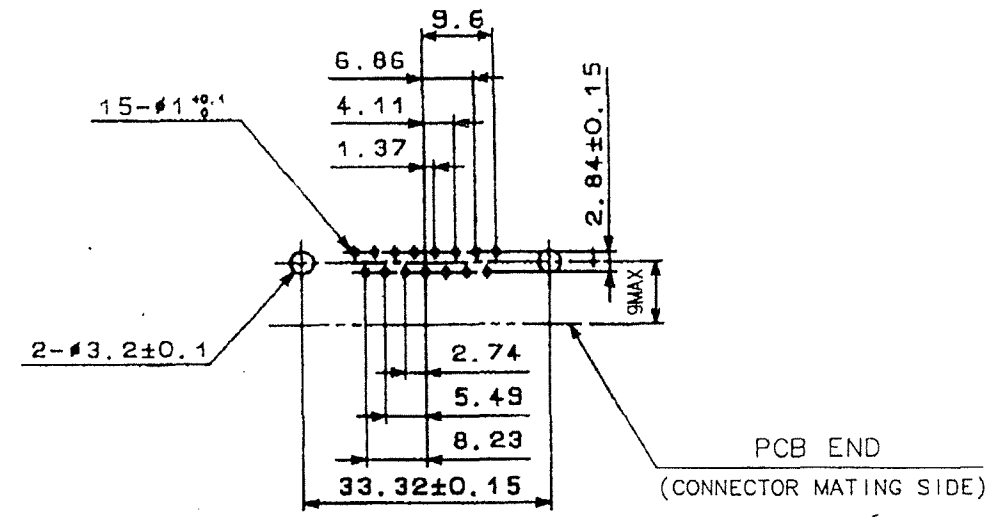
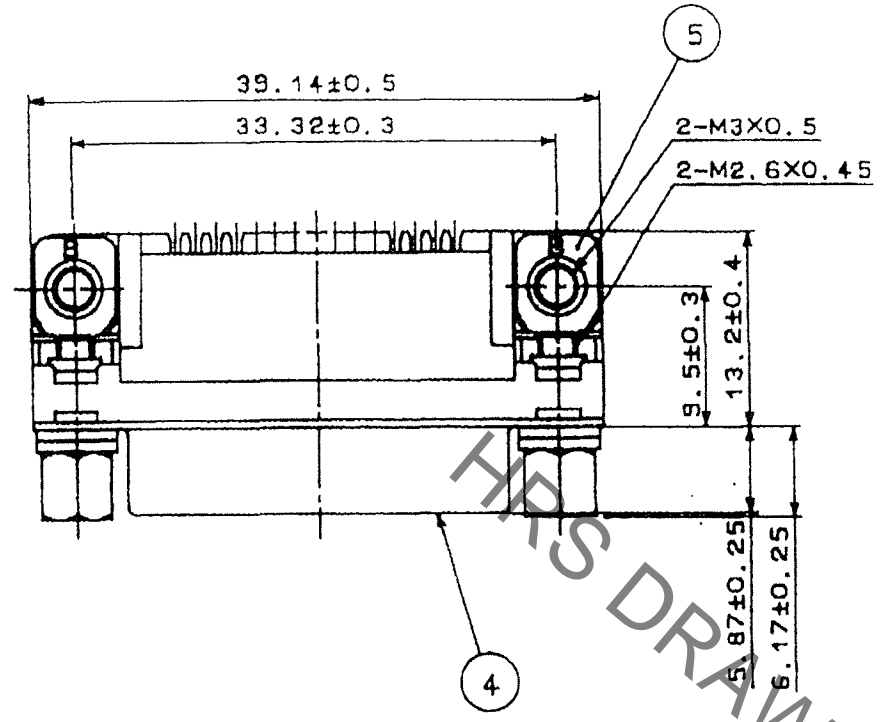


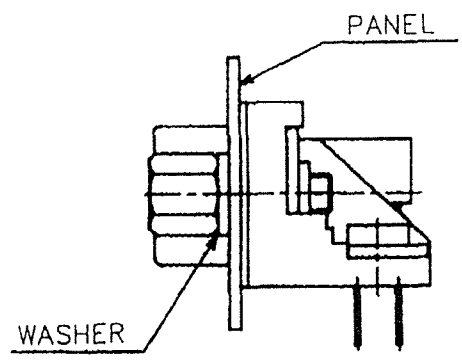
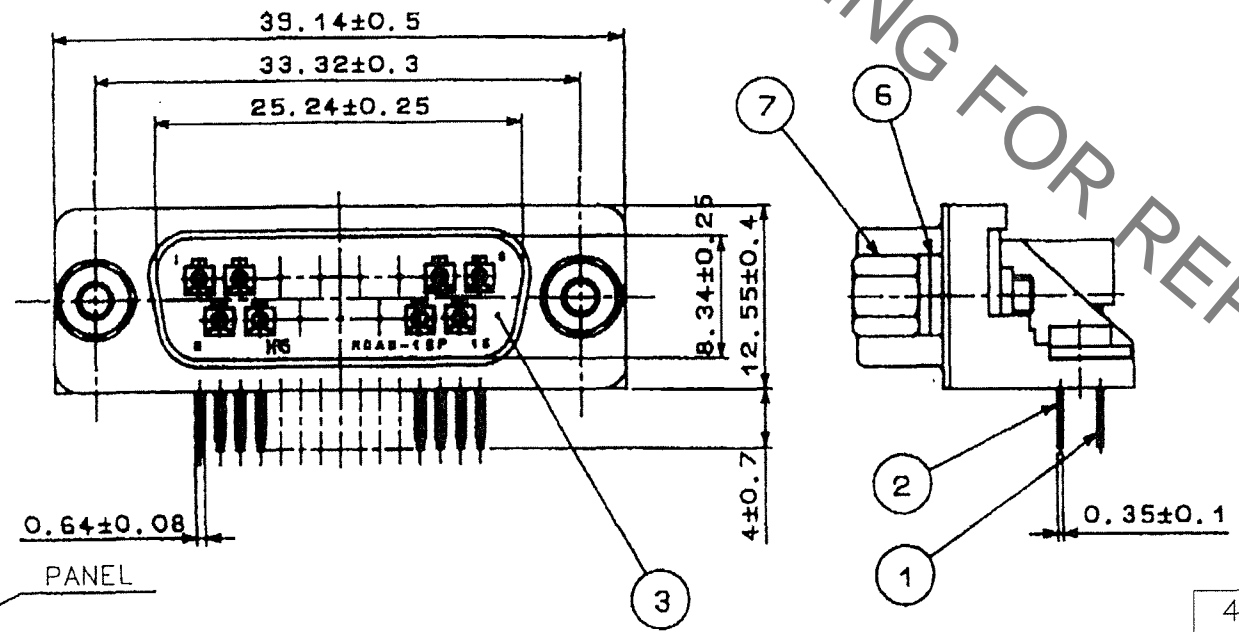
Jan.1.2022 Copyright 2022 HIROSE ELECTRIC CO., LTD. All Rights Reserved.
 In case of consideration for using Automotive equipment / device which demand high reliability, kindly contact our sales window correspondents.

COUNT	DESCRIPTION OF REVISIONS	BY	CHKD	DATE	COUNT	DESCRIPTION OF REVISIONS	BY	CHKD	DATE
5	DIS-E-001215	Y.S	Y.E	07.02.22					



NOTE. PLEASE KEEP THE TOLERANCE TO LESS THAN ±0.1 FOR THE DIMENSIONS WITHOUT TOLERANCE.

RECOMMENDED PC BOARD HOLE PATTERN
(SCALE 1:1)



PATTERN OF MOUNTING CONNECTOR ON PCB

REMOVE ONE WASHER FOR 0.8-1.2 OF PANEL THICKNESS. REMOVE TWO WASHERS FOR 1.6 OF PANEL THICKNESS.

4	STEEL	NICKEL PLATING 1μm UNDER: COPPER PLATING 5μm	7	STEEL	NICKEL PLATING 2μm UNDER: COPPER PLATING 1μm
3	PBT	UL94V-0(BLACK)	6	STEEL	NICKEL PLATING 2μm UNDER: COPPER PLATING 3μm
1.2	PHOSPHOR BRONZE	DIP: GOLD PLATING 0.03μm UNDER: NICKEL PLATING 2μm	5	STEEL	NICKEL PLATING 2μm UNDER: COPPER PLATING 1μm
NO.	MATERIAL	FINISH, REMARKS	NO.	MATERIAL	FINISH, REMARKS

CODE NO. (OLD) CL	DRAWN T.KAMEYA 03.07.31	DESIGNED T.KAMEYA 03.07.31	CHECKED Y.ENAMI 03.08.04	APPROVED H.MIWA 03.08.05	RELEASED .
----------------------	-------------------------------	----------------------------------	--------------------------------	--------------------------------	---------------

SCALE 2 : 1	DRAWING NO. EDC3-021973-02	PART NO. RDAD-15P-LNA(55)
UNITS mm	HIROSE ELECTRIC CO., LTD	CODE NO. CL211-0498-3-55

TO
Q

Mouser Electronics

Authorized Distributor

Click to View Pricing, Inventory, Delivery & Lifecycle Information:

[Hirose Electric:](#)

[RDAD-15P-LNA\(55\)](#)