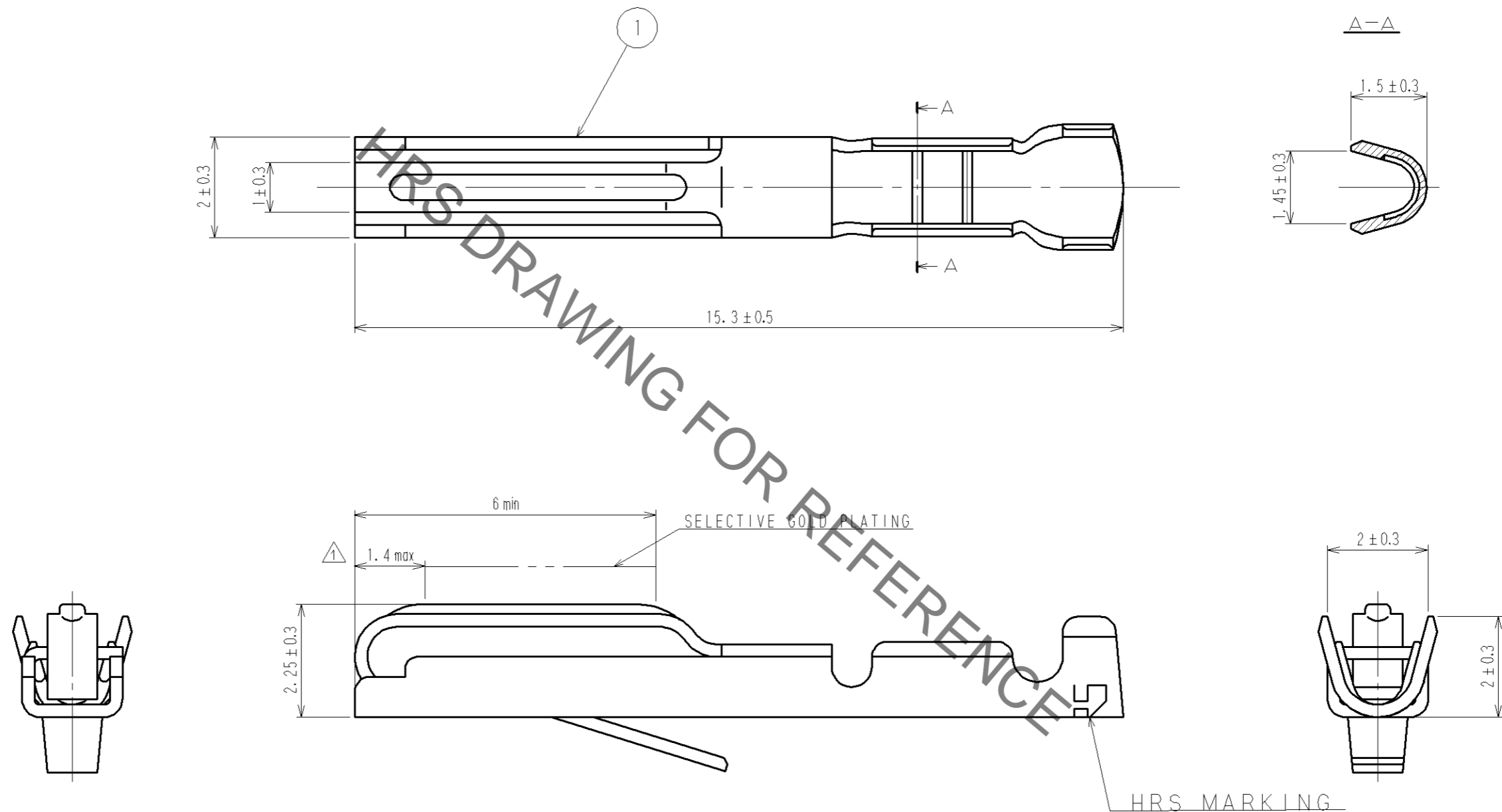


Jun.1.2019 Copyright 2019 HIROSE ELECTRIC CO., LTD. All Rights Reserved.  
 In case of consideration for using Automotive equipment / device which demand high reliability, kindly contact our sales window correspondents.



NOTES. 1. THIS CONTACT IS APPLICABLE TO THE WIRES .24~28AWG.  
 2. SELECTIVE GOLD PLATING 0.2μm  
 UNDER PLATING : NICKEL 1μm

NO.		MATERIAL		FINISH. REMARKS		1		PHOSPHOR BRONZE		2	
UNITS mm				SCALE 10 : 1		COUNT △		DESCRIPTION OF REVISIONS		DESIGNED	
		HIROSE ELECTRIC CO., LTD.		APPROVED : HO.MIWA		06.08.25		DRAWING NO.		EDC3-010176-01	
				CHECKED : HO.MIWA		06.08.25		PART NO.		QR/P1-PC2A-111(12)	
				DESIGNED : TR.WATANABE		06.08.24		CODE NO.		CL221-0103-0-12	
				DRAWN : TR.WATANABE		06.08.24				1/1	

# Mouser Electronics

Authorized Distributor

Click to View Pricing, Inventory, Delivery & Lifecycle Information:

[Hirose Electric:](#)

[QR/P1-PC2A-111\(12\)](#)