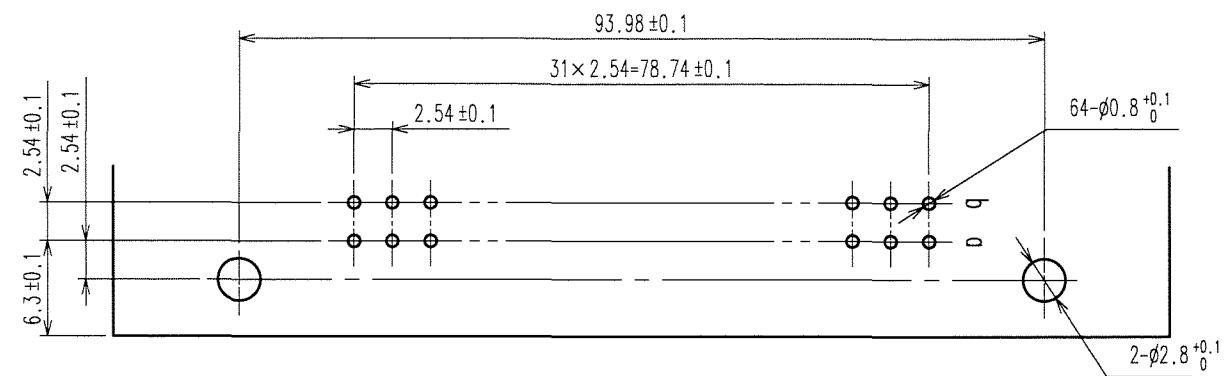
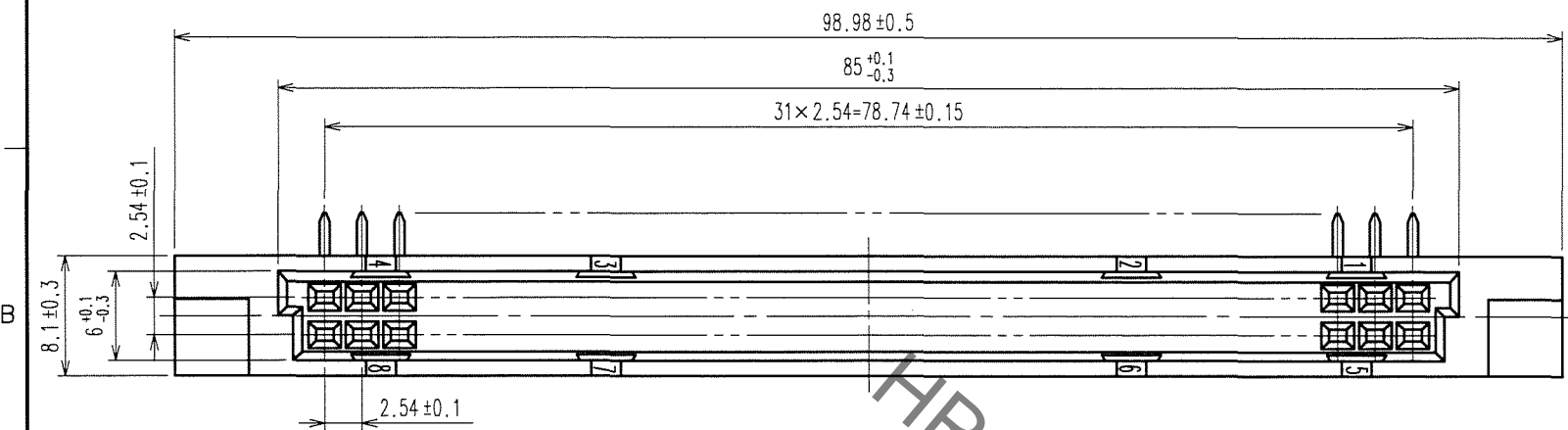
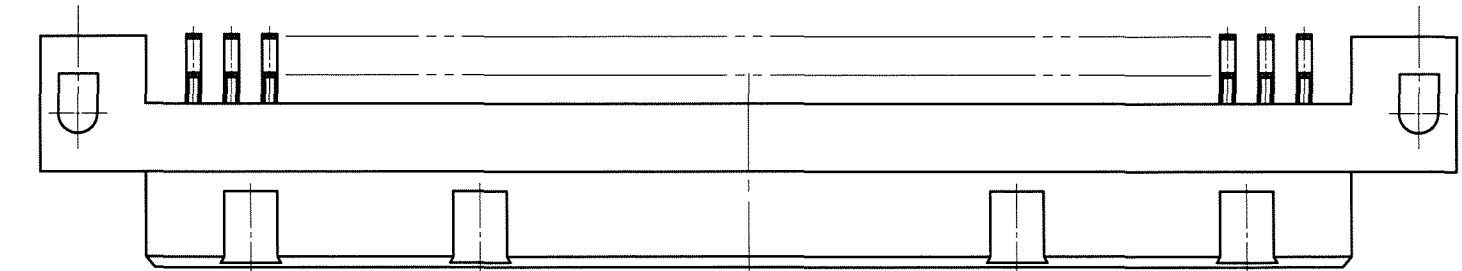
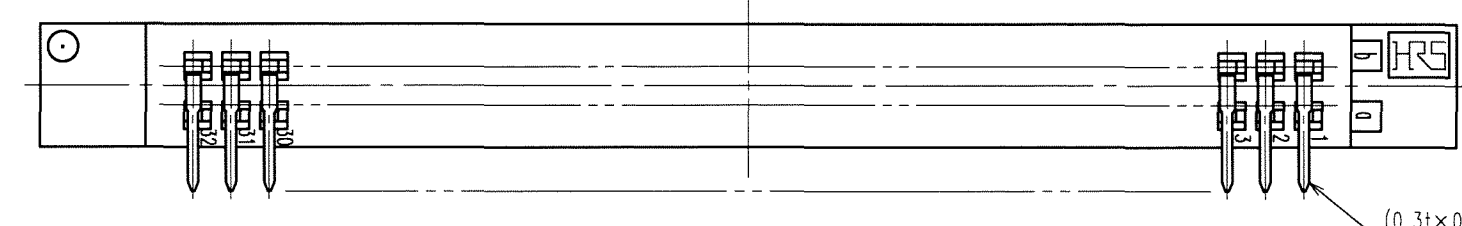
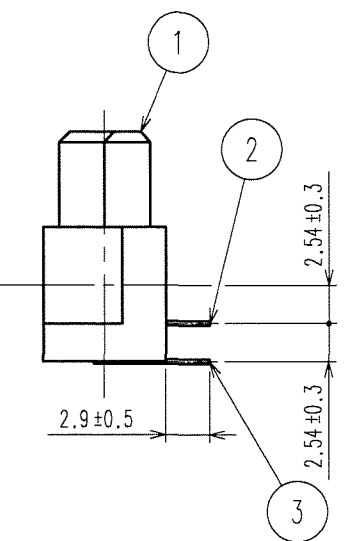
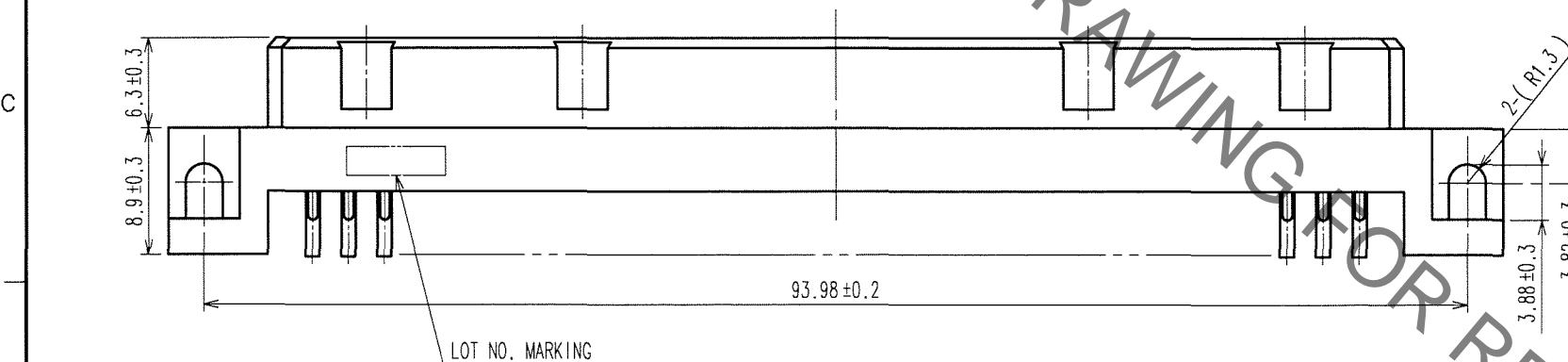


Jan.1.2022 Copyright 2022 HIROSE ELECTRIC CO., LTD. All Rights Reserved.
In case of consideration for using Automotive equipment / device which demand high reliability, kindly contact our sales window correspondents.

COUNT	DESCRIPTION OF REVISIONS	BY	CHKD	DATE	COUNT	DESCRIPTION OF REVISIONS	BY	CHKD	DATE
△					△				
△					△				
△					△				



RECOMMENDED PC BOARD HOLE PATTERN (t=1.6±0.1)



3	COPPER ALLOY	CONTACT AREA: Ni1μm + Au0.2μm
		DIP AREA : Ni1μm + Sn1μm
1,2	PBT	GRAY UL94V-0
NO.	MATERIAL	FINISH, REMARKS

CODE NO. (OLD) CL	DRAWN T.Saito 07.07.20	DESIGNED T.Saito 07.07.20	CHECKED S. Tomioka 07.07.20	APPROVED K. Hayama 07.07.20	RELEASED ..
SCALE 2:1	DRAWING NO. EDC3-019606-01		PART NO. PCN10C-64S-2.54DS(72)		
UNITS mm	HRS HIROSE ELECTRIC CO., LTD		CODE NO. CL583-0203-6-72		1/1

TO

Mouser Electronics

Authorized Distributor

Click to View Pricing, Inventory, Delivery & Lifecycle Information:

[Hirose Electric:](#)

[PCN10C-64S-2.54DS\(72\)](#)