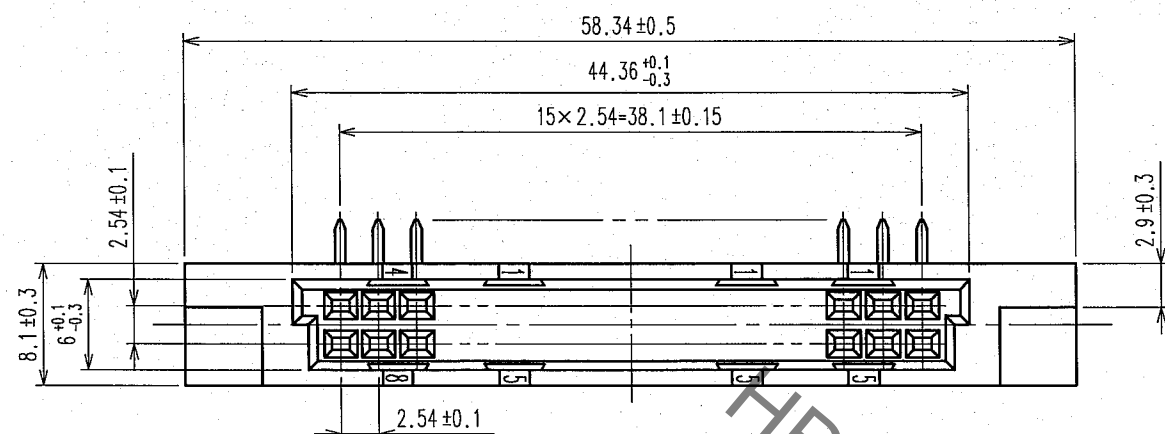
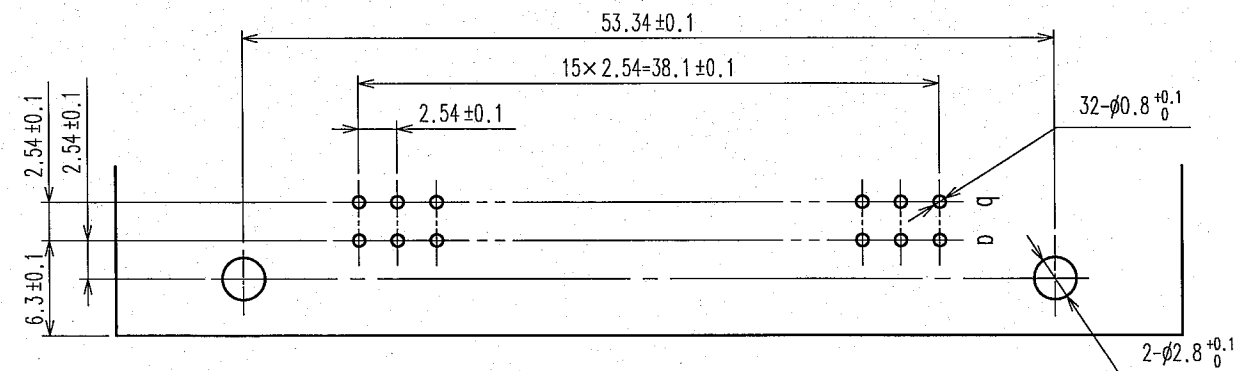


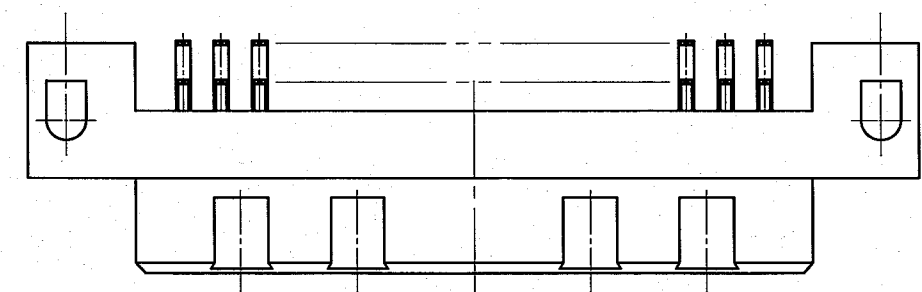
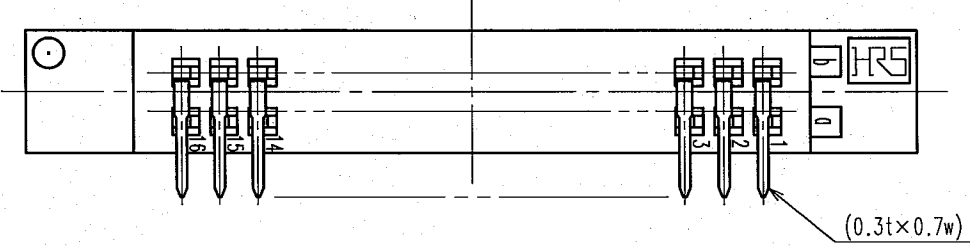
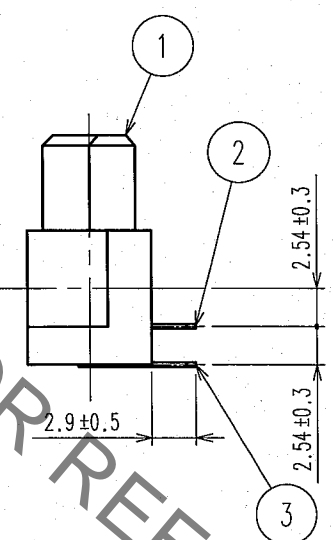
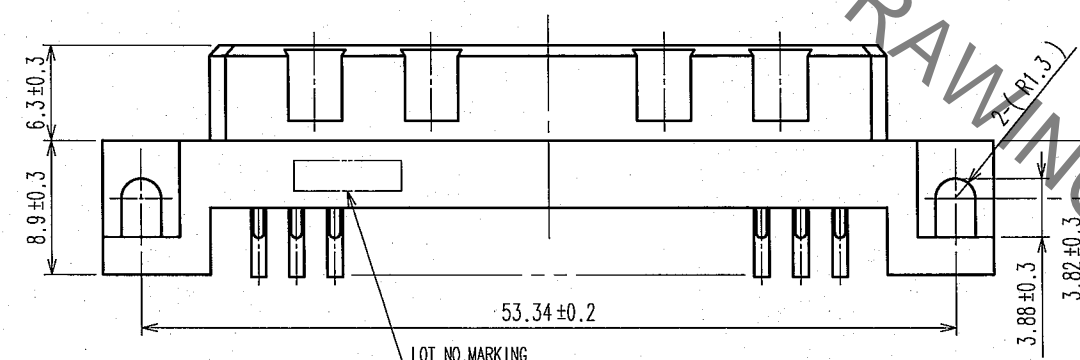
Jan.1.2022 Copyright 2022 HIROSE ELECTRIC CO., LTD. All Rights Reserved.
In case of consideration for using Automotive equipment / device which demand high reliability, kindly contact our sales window correspondents.



5					6					7					8				
COUNT	DESCRIPTION OF REVISIONS				BY	CHKD	DATE	COUNT	DESCRIPTION OF REVISIONS				BY	CHKD	DATE				
△							..	△							..				
△							..	△							..				
△							..	△							..				



RECCOMENDE P.C.B HOLE PATTERN (t=1.6±0.1)



2,3	COPPER ALLOY	CONTACT AREA: Ni1μ m+Au0.2μ m
1	PBT	GRAY, UL94V-O
NO.	MATERIAL	FINISH, REMARKS

CODE NO. (OLD) CL	DRAWN H.Saitou 07.02.16	DESIGNED H.Saitou 07.02.16	CHECKED <i>S. Tomioka</i> 07.02.16	APPROVED <i>K. Hayama</i> 07.02.17	RELEASED ..
SCALE 2 : 1 UNITS mm	DRAWING NO. EDC3-019780-01		PART NO. PCN10C-32S-2.54DS(72)		
	HRS HIROSE ELECTRIC CO., LTD		CODE NO. CL583-0202-3-72	1/1	

Mouser Electronics

Authorized Distributor

Click to View Pricing, Inventory, Delivery & Lifecycle Information:

[Hirose Electric:](#)

[PCN10C-32S-2.54DS\(72\)](#)