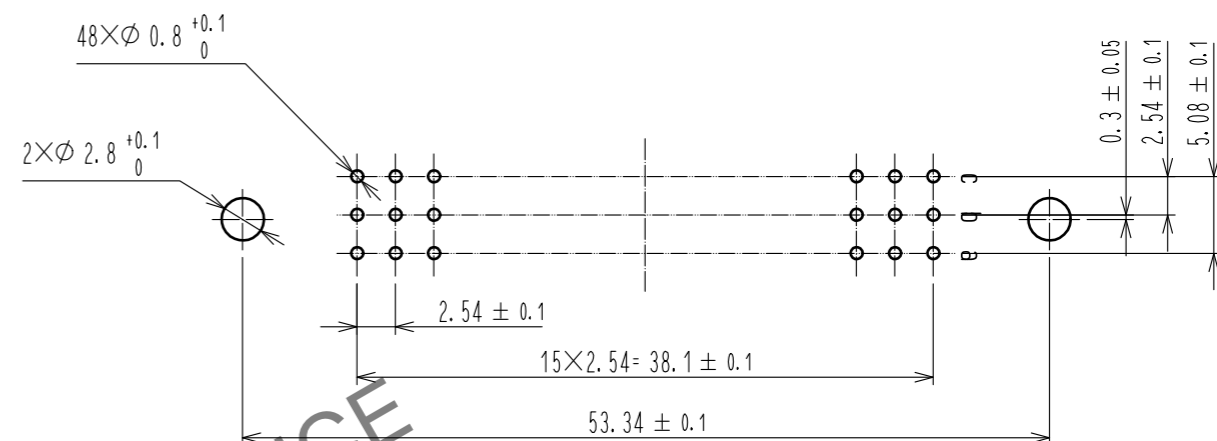
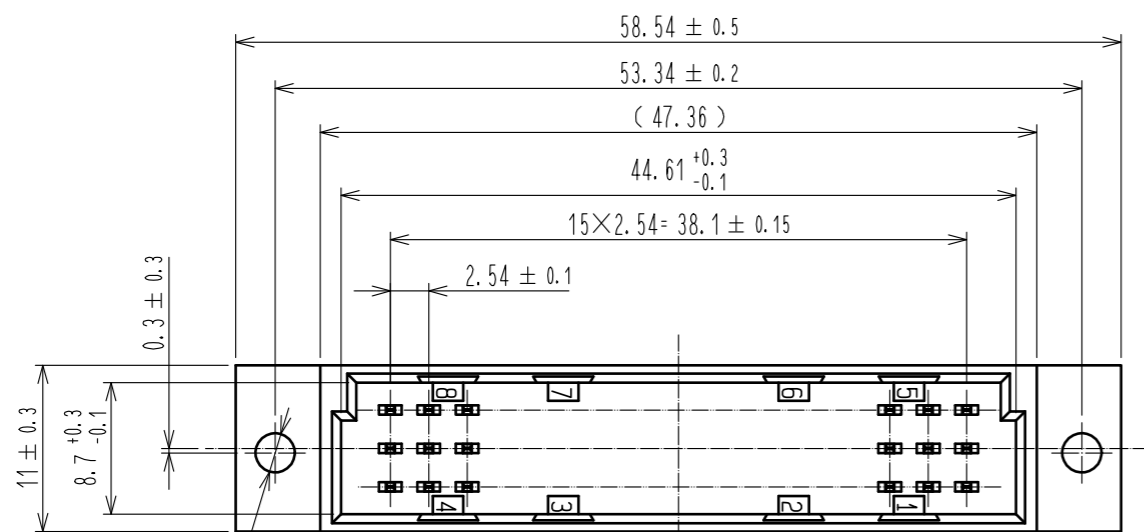
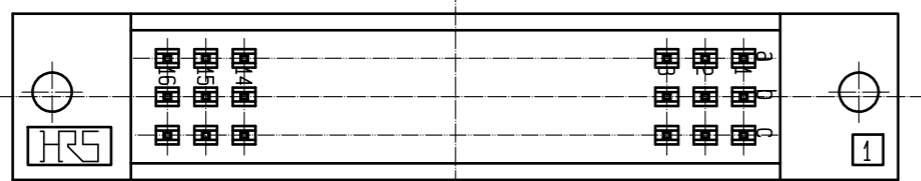
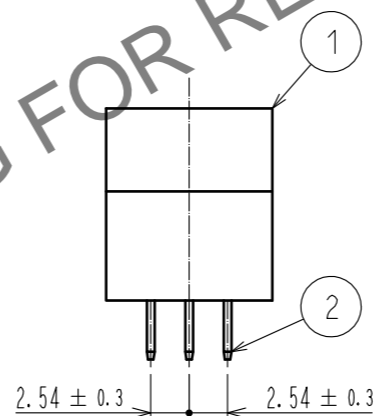
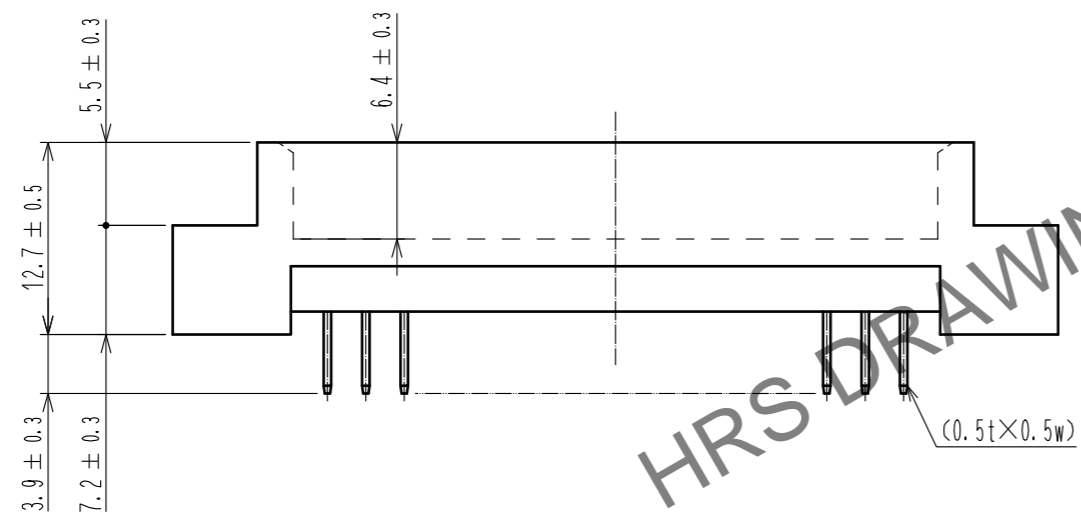


Aug.1.2023 Copyright 2023 HIROSE ELECTRIC CO., LTD. All Rights Reserved.  
 In case of consideration for using Automotive equipment / device which demand high reliability, kindly contact our sales window correspondents.



Recommended PC board hole pattern (t=1.6 ± 0.1)



Lot No. marking

Note 1 UL (File No. E52653)



1	PBT	GRAY UL94V-0	2	BRASS	CONTACT AREA : Ni2.5μm+Au0.2μm DIP AREA : Ni2.5μm+Sn2μm
NO.	MATERIAL	FINISH . REMARKS	NO.	MATERIAL	FINISH . REMARKS
UNITS mm		SCALE 2 : 1	COUNT 1	DESCRIPTION OF REVISIONS DIS-F-00017466	DESIGNED YU. NAKADA
HIROSE ELECTRIC CO., LTD.		APPROVED : MK. NAGATA 20220523	DRAWING NO. EDC-018762-72-00		
		CHECKED : HT. YAMAGUCHI 20220523	PART NO. PCN10-48P-2.54DSA(72)		
		DESIGNED : KJ. NISHIWAKI 20220523	CODE NO. CL0583-0104-4-72		
		DRAWN : YU. NAKADA 20220520	1/1		

# Mouser Electronics

Authorized Distributor

Click to View Pricing, Inventory, Delivery & Lifecycle Information:

[Hirose Electric:](#)

[PCN10-48P-2.54DSA\(72\)](#)