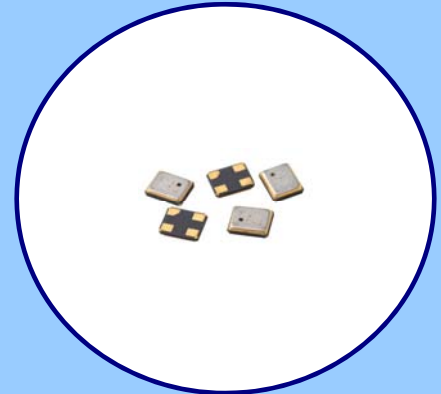




FEATURES

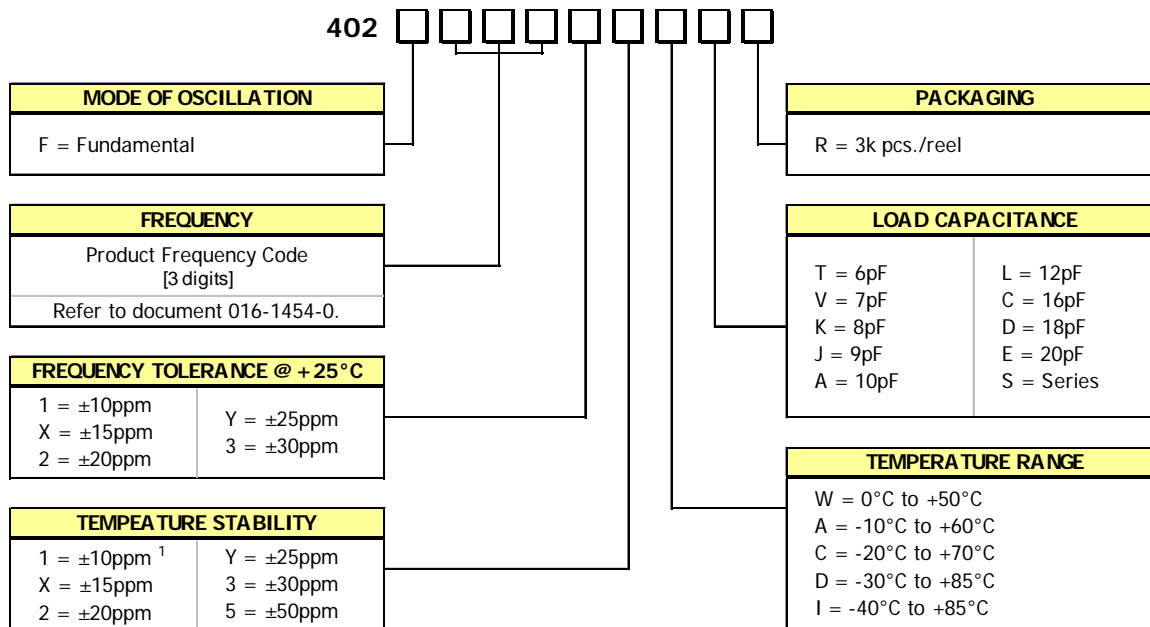
- Standard 2.0mm x 1.6mm Seam Weld Package
- Fundamental Crystal Design
- Frequency Range 16 – 60MHz
- Frequency Tolerance, ± 20 ppm Standard
- Frequency Stability, ± 30 ppm Standard
- Operating Temperature to -40°C to $+85^{\circ}\text{C}$
- Tape & Reel Packaging Standard, EIA-481
- **RoHS/Green Compliant [6/6]**



APPLICATIONS

Model 402 is a low cost quartz resonator used in a wide range of commercial applications including wearable and handheld electronics, notebooks, tablets, computer peripherals, Bluetooth, ZigBee and USB interfaces.

ORDERING INFORMATION

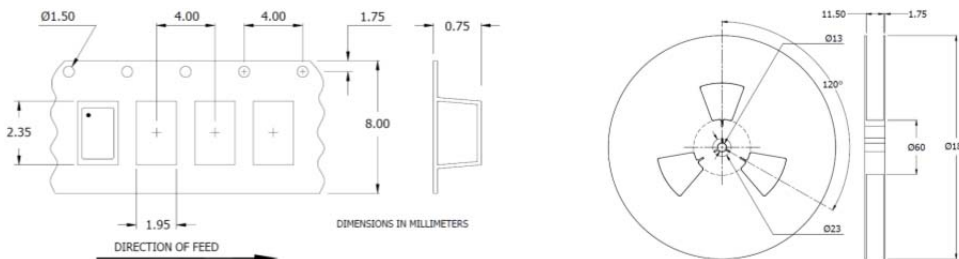


1. Available with temperature range codes W, A, C and D.

Not all performance combinations and frequencies may be available.
Contact your local CTS Representative or CTS Customer Service for availability.

PACKAGING INFORMATION [Reference]

Device quantity is 3k pieces per 180mm reel.

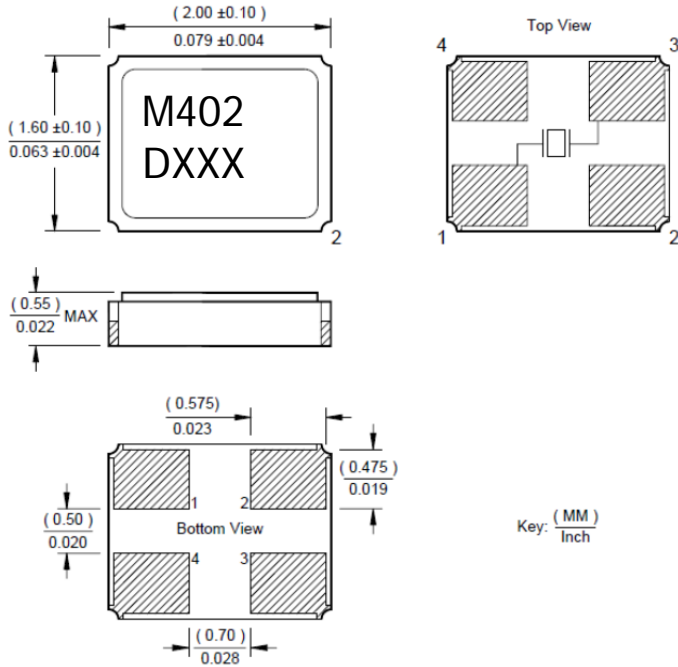


ELECTRICAL CHARACTERISTICS

PARAMETER		VALUE		
ELECTRICAL PARAMETERS	Frequency Range	16MHz to 60MHz		
	Operating Mode	Fundamental		
	Crystal Cut	AT-Cut		
	Frequency Tolerance @ +25°C	±20ppm, Standard		
	Frequency Stability Tolerance [Operating Temperature Range, Referenced to +25°C Reading]	±30ppm, Standard		
	Operating Temperature Ranges	-10°C to +60°C	-20°C to +70°C	
		-30°C to +85°C	-40°C to +85°C	
	Equivalent Series Resistance [Maximum]	16MHz - <20MHz	120 Ohms	
		20MHz - <30MHz	100 Ohms	
		30MHz - <36MHz	80 Ohms	
		36MHz - 60MHz	60 Ohms	
	Load Capacitance	See Ordering Information		
	Shunt Capacitance [C ₀]	3.0pF Typical, 5.0pF Maximum		
	Drive Level	10µW Typ., 200µW Max.		
Aging @ +25°C	±3ppm/yr Typical			
Insulation Resistance	500M Ohms @ DC 100V			
Storage Temperature Range	-40°C to +90°C			

MECHANICAL SPECIFICATIONS

PACKAGE DRAWING



MARKING INFORMATION

1. M402 - CTS Model Series.
2. D – Date code. See Table I for codes.
3. XXX – Frequency code, reference CTS document 016-1454-0.

NOTES

1. Complete CTS part number, frequency value, date code and manufacturing site code information must appear on reel and carton labels.
2. Terminations #2, #4 and the metal lid are connected internally. End user may connect these pins to circuit ground for EMI suppression.
3. Termination pads (e4); barrier plating is nickel [Ni] with gold [Au] flash plate.
4. Reflow conditions per JEDEC J-STD-020; +260°C maximum, 10 seconds.
5. MSL = 1.

SUGGESTED SOLDER PAD GEOMETRY

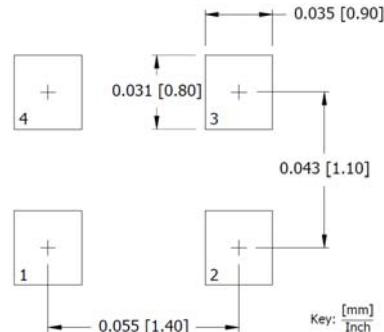


TABLE I – DATE CODE

YEAR		MONTH					JAN	FEB	MAR	APR	MAY	JUN	JUL	AUG	SEP	OCT	NOV	DEC
		2001	2005	2009	2013	2017												
2001	2005	2009	2013	2017		A	B	C	D	E	F	G	H	J	K	L	M	
2002	2006	2010	2014	2018		N	P	Q	R	S	T	U	V	W	X	Y	Z	
2003	2007	2011	2015	2019		a	b	c	d	e	f	g	h	j	k	l	m	
2004	2008	2012	2016	2020		n	p	q	r	s	t	u	v	w	x	y	z	