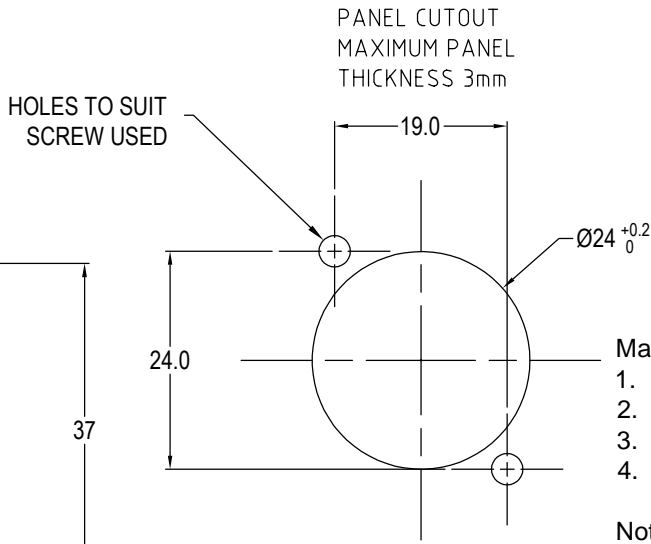
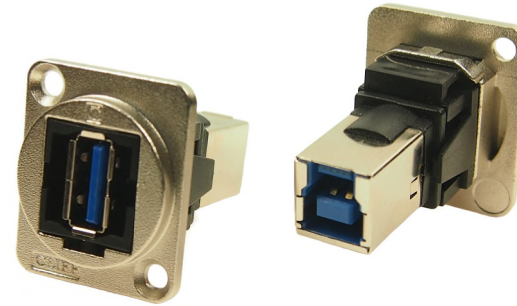


ISS.	AMEND	DATE
1	1st DRAWN	12/05/201
2	ADD M3 VARIANT	29/05/201
3	CLIP VIEW CORRECTED	26/06/201



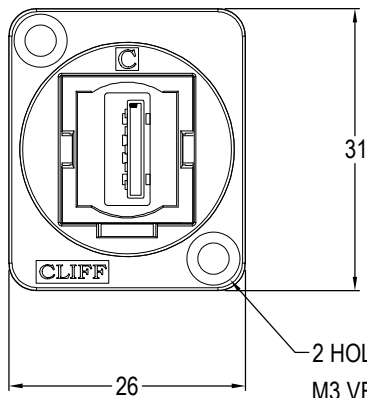
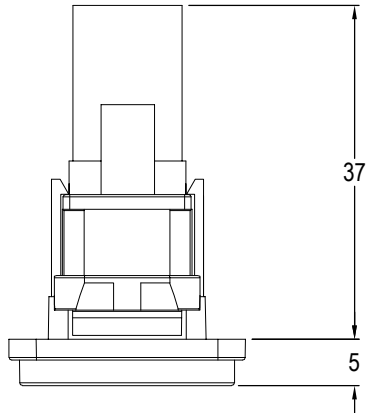
**Material:**

1. Insert: ABS
2. Frame: Nickel plated zinc diecast
3. Shell: Nickel plated steel
4. Contacts: Gold Plated

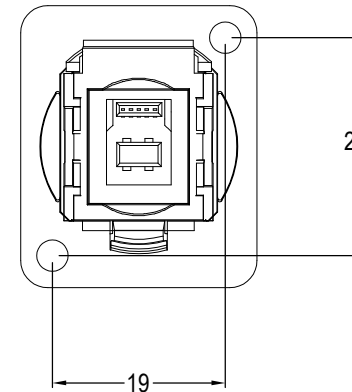
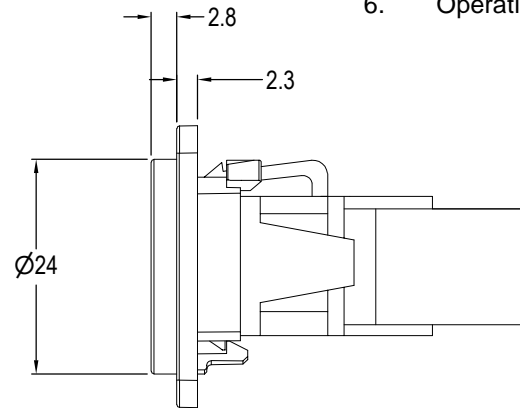
**Notes:**

1. Voltage rating: 30V AC
2. Current rating: 1.8 A max
3. Contact resistance: 50mΩ max
4. Insulation resistance: 20MΩ min
5. Dielectric withstanding voltage: 500V AC
6. Operating Temperature: -20°C to 50°C

VARIANTS	
PART No.	HOLE DETAILS
CP30210NM	HOLE Ø3.50 x CSK 82° x Ø5.85
CP30210NM3	M3 HOLES



2 HOLES: Ø3.5mm CSK 82° x Ø5.85  
M3 VERSION HAS M3 THREAD HOLES.



**RoHS**  
COMPLIANT

**TOLERANCE**  
NO DEC. PLACE ±  
1 DEC. PLACE ±  
2 DEC. PLACE ±  
HOLE Ø ±  
ANGLES ±  
UNLESS  
OTHERWISE STATED

DO NOT SCALE

**Cliff Electronic Components Ltd.**  
76 Holmethorpe Avenue, Holmethorpe Industrial Estate,  
Redhill, Surrey, RH1 2PF, England, UK  
Tel: 01737-771375 Fax: 01737-766012 Website: www.cliffuk.co.uk

DIMENSIONS IN MILLIMETERS UNLESS OTHERWISE STATED. WORK TO DIMENSIONS. REMOVE ALL BURRS. IF IN DOUBT ASK.

3rd ANGLE PROJECTION:

MATERIAL: See Notes

TITLE: FT METAL USB 3.0 A to USB 3.0 B

FINISH: See Notes

DRAWN: T.J.O.

APPROVED: D.P.J.

DRWG. No. **CP30210NM**

FORM: A4DRWG1