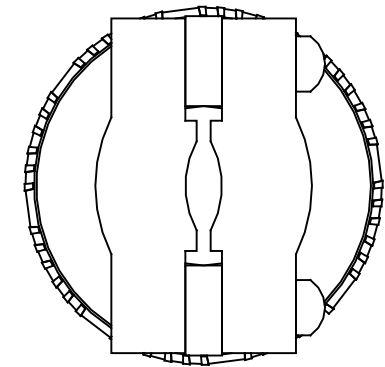
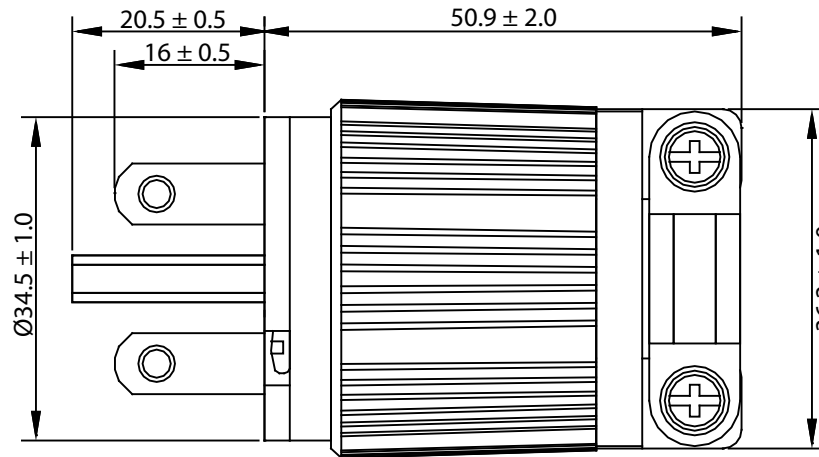
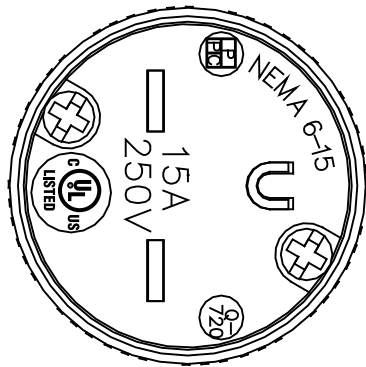


THESE DRAWINGS ARE THE PROPERTY OF QUALTEK ELECTRONICS AND NOT TO BE REPRODUCED FOR OR COMMUNICATED TO A THIRD PARTY WITHOUT THE EXPRESS WRITTEN PERMISSION OF AN OFFICER OF QUALTEK ELECTRONICS.

REVISION			
REV.	DESCRIPTION	DATE	APPROVED
B	Updated Specifications	04-15-09	LY



NOTES:

1. RATING: 15A 250VAC
2. COLOR: BLACK
3. CORD CLAMP: ACCEPTS 18/3 - 12/3 CABLE
4. TERMINAL I.D.:
 - A. GROUND TERMINAL COLORED GREEN AND MARKED "GR"
 - B. LINE WIRES TERMINAL SCREWS COLORED BLACK
5. APPROVALS: UL/cUL LISTED: E139592
6. ROHS COMPLIANT

CONTROLLED

Dim range (mm)		Tolerance +/- (mm)	Qualtek Electronics Corp. PPC DIVISION	
0-1		0.15	Part Number: Q-720	RoHS Compliant
1-6		0.20	Description: NEMA 6-15P STRAIGHT BLADE DEVICE	
6-18		0.30		
18-50		0.50	UNIT: mm	REV. B
50-120		0.70	Drawn / Date	Checked / Date
120-250		0.90	R.Nuti 02-05-09	02-05-09
250-500		1.20		Approved / Date LY / 02-05-09

Mouser Electronics

Authorized Distributor

Click to View Pricing, Inventory, Delivery & Lifecycle Information:

[Qualtek:](#)

[Q-720](#)