



**Features:**

- Motor: Brushless DC
- Motor Protection: IC
- Bearing Type: Two Ball, Sleeve, or Hydro Dynamic
- Connection: UL 1007 AWG 24, 280mm Wire Leads
- Frame Material: Plastic UL94V-0
- Impeller Material: Plastic UL94V-0
- Operating Temp:
  - Two Ball: -10°C~70°C
  - Sleeve: -10°C~60°C
  - Hydro Dynamic: -10°C~70°C
- Life Expectancy:
  - Two Ball: 70,000 Hours
  - Sleeve: 30,000 Hours
  - Hydro Dynamic: 50,000 Hours



Fan-S Division

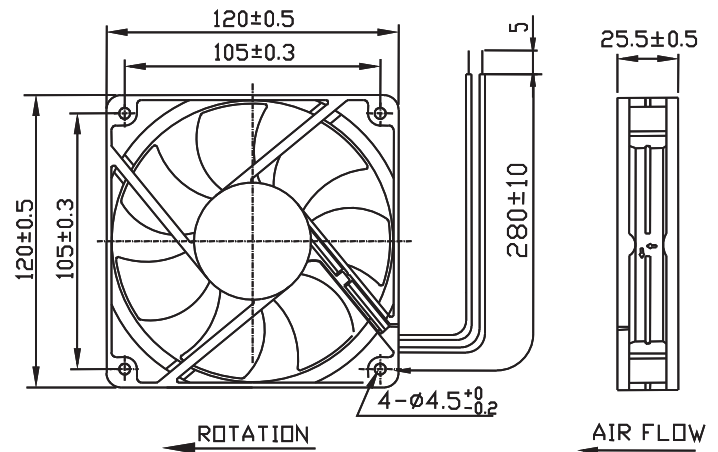
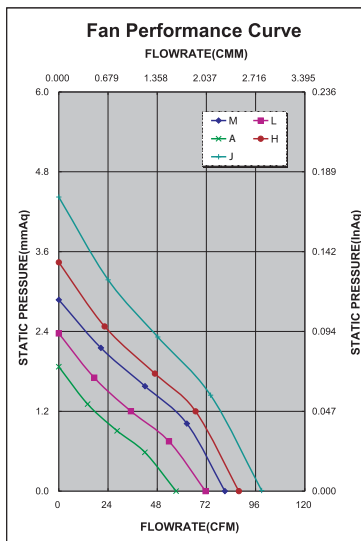


Model No.	Volt.	Current	Power	Rated Speed	Maximum AirFlow		Maximum Static Pressure		Noise Level	Weight
	(VDC)	(A)	(W)	(rpm)	(CMM)	(CFM)	(InAq)	(mmAq)	(dB/A)	(g)
FAD1-12025C * AW12	12	0.11	1.32	1500	1.618	57.205	0.074	1.879	27.2	156.0
FAD1-12025C * LW12	12	0.15	1.80	1800	2.032	71.806	0.093	2.362	34.4	156.0
FAD1-12025C * MW12	12	0.16	1.92	2050	2.293	81.054	0.113	2.870	38.0	156.0
FAD1-12025C * HW12	12	0.29	3.48	2200	2.486	87.870	0.134	3.403	39.1	156.0
FAD1-12025C * JW12	12	0.39	4.68	2500	2.800	98.965	0.174	4.419	43.3	156.0
FAD1-12025D * AW12	24	0.07	1.68	1500	1.618	57.205	0.074	1.879	27.2	156.0
FAD1-12025D * LW12	24	0.10	2.40	1800	2.032	71.806	0.093	2.362	34.4	156.0
FAD1-12025D * MW12	24	0.13	3.12	2050	2.293	81.054	0.113	2.870	38.0	156.0
FAD1-12025D * HW12	24	0.13	3.12	2200	2.486	87.870	0.134	3.403	39.1	156.0
FAD1-12025D * JW12	24	0.19	4.56	2500	2.800	98.965	0.174	4.419	43.3	156.0
FAD1-12025E * HW12	48	0.10	4.80	2200	2.486	87.870	0.134	3.403	39.1	156.0
FAD1-12025E * JW12	48	0.12	5.76	2500	2.800	98.965	0.174	4.419	43.3	156.0

\* Indicates "B" (Ball Bearing), "S" (Sleeve), or "H" (Hydro Dynamic)

Noise is measured at the distance of one (1) meter from the axis of intake.

Note 1: FAD1-12025DBAW12, FAD1-12025DSAW12, FAD1-12025DHAW12 has no approvals



# Mouser Electronics

Authorized Distributor

Click to View Pricing, Inventory, Delivery & Lifecycle Information:

## Qualtek:

[FAD1-12025CBAW12](#) [FAD1-12025CBHW12](#) [FAD1-12025CBJW12](#) [FAD1-12025CBLW12](#) [FAD1-12025CBMW12](#)  
[FAD1-12025CHAW12](#) [FAD1-12025CHHW12](#) [FAD1-12025CHJW12](#) [FAD1-12025CHLW12](#) [FAD1-12025CHMW12](#)  
[FAD1-12025CSAW12](#) [FAD1-12025CSHW12](#) [FAD1-12025CSJW12](#) [FAD1-12025CSLW12](#) [FAD1-12025CSMW12](#)  
[FAD1-12025DBAW12](#) [FAD1-12025DBHW12](#) [FAD1-12025DBLW12](#) [FAD1-12025DBMW12](#) [FAD1-12025DHAW12](#)  
[FAD1-12025DHHW12](#) [FAD1-12025DHJW12](#) [FAD1-12025DHLW12](#) [FAD1-12025DHMW12](#) [FAD1-12025DSAW12](#)  
[FAD1-12025DSHW12](#) [FAD1-12025DSJW12](#) [FAD1-12025DSLW12](#) [FAD1-12025DSMW12](#) [FAD1-12025EBHW12](#)  
[FAD1-12025EBJW12](#) [FAD1-12025EHHW12](#) [FAD1-12025EHJW12](#) [FAD1-12025ESHW12](#) [FAD1-12025ESJW12](#)