



**Features:**

- Motor: Brushless DC
- Motor Protection: Impedance Protected
- Bearing Type: Two Ball or Hydro Dynamic
- Connection: UL 1007 AWG 24, 300mm Wire Leads
- Frame Material: Plastic UL94V-0
- Impeller Material: Plastic UL94V-0
- Operating Temp:
  - Two Ball: -10°C~70°C
  - Hydro Dynamic: -10°C~70°C
- Life Expectancy:
  - Two Ball: 70,000 Hours (40°C)
  - Hydro Dynamic: 40,000 Hours (40°C)



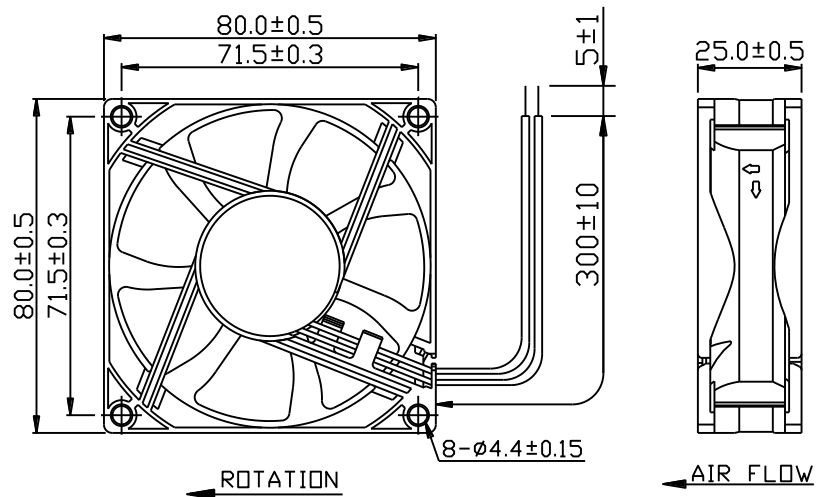
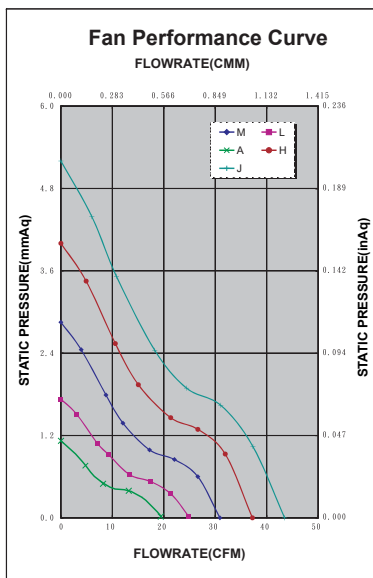
Fan-S Division



Model No.	Volt.	Current	Power	Rated Speed	Maximum AirFlow		Maximum Static Pressure		Noise Level	Weight
	(VDC)	(A)	(W)	(rpm)	(CMM)	(CFM)	(InAq)	(mmAq)	(dB/A)	(g)
FAD1-08025C * AW11-A	12	0.06	0.72	1600	0.562	19.887	0.046	1.168	18.3	72.0
FAD1-08025C * LW11-A	12	0.09	1.08	2000	0.690	24.387	0.068	1.727	23.6	72.0
FAD1-08025C * MW11-A	12	0.13	1.56	2500	0.875	30.922	0.112	2.844	30.0	72.0
FAD1-08025C * HW11-A	12	0.18	2.16	3000	1.053	37.241	0.157	3.987	35.8	72.0
FAD1-08025C * JW11-A	12	0.25	3.00	3400	1.231	43.500	0.204	5.181	40.5	72.0
FAD1-08025D * LW11-A	24	0.06	1.44	2000	0.690	24.387	0.068	1.727	23.6	72.0
FAD1-08025D * MW11-A	24	0.06	1.44	2500	0.875	30.922	0.112	2.844	30.0	72.0
FAD1-08025D * HW11-A	24	0.10	2.40	3000	1.053	37.241	0.157	3.987	35.8	72.0

\* Indicates "B" (Ball Bearing), or "H" (Hydro Dynamic)

Noise is measured at the distance of one (1) meter from the axis of intake.



# Mouser Electronics

Authorized Distributor

Click to View Pricing, Inventory, Delivery & Lifecycle Information:

Qualtek:

[FAD1-08025CBMW11-A](#) [FAD1-08025CBHW11-A](#) [FAD1-08025CBLW11-A](#)