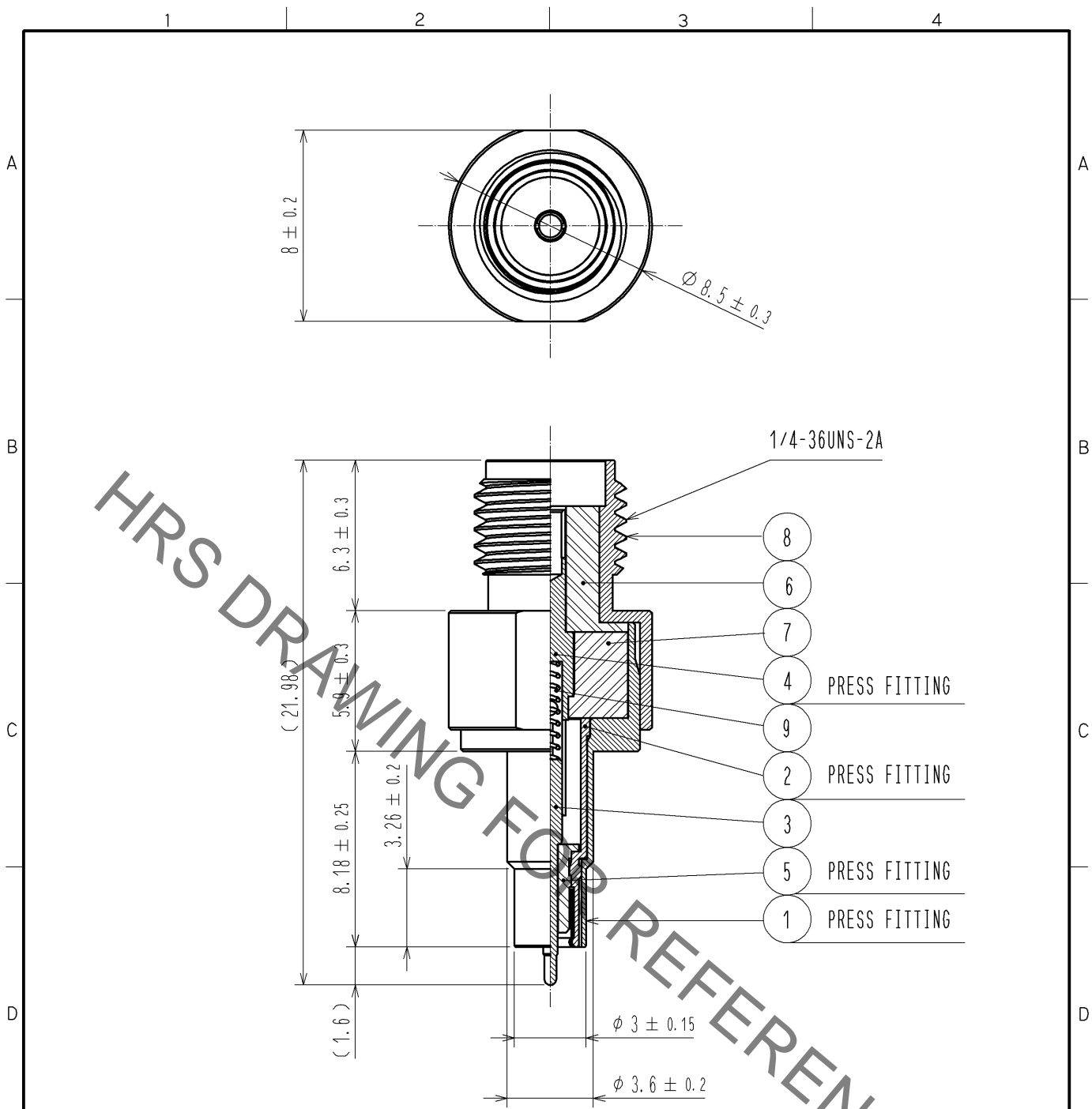


Jan.1.2022 Copyright 2022 HIROSE ELECTRIC CO., LTD. All Rights Reserved.
In case of consideration for using Automotive equipment / device which demand high reliability, kindly contact our sales window correspondents.



NOTE. Use this product with MS-156C(CL358-0251-2).

5	PTFE			9	STAINLESS STEEL	GOLD PLATING	
4	BERYLLIUM COPPER	GOLD PLATING		8	STAINLESS STEEL	PASSIVATE	
3	BERYLLIUM COPPER	GOLD PLATING		7	PTFE		
2	BERYLLIUM COPPER	GOLD PLATING		6	PTFE		
1	STAINLESS STEEL	PASSIVATE					
NO.	MATERIAL	FINISH	REMARKS	NO.	MATERIAL	FINISH	REMARKS

UNITS mm		SCALE 4 : 1	COUNT 	DESCRIPTION OF REVISIONS	DESIGNED	CHECKED	DATE
HIROSE ELECTRIC CO., LTD.				APPROVED : KY. SHIMIZU 10. 02. 08 CHECKED : TY. OZAKI 10. 02. 08 DESIGNED : DS. YAMAKOSHI 10. 02. 04 DRAWN : TA. SATO 09. 10. 07	DRAWING NO. EDC4-180929-00 PART NO. MS-156-HRMJ-H1 CODE NO. CL358-0290-4-00	1/1	

Mouser Electronics

Authorized Distributor

Click to View Pricing, Inventory, Delivery & Lifecycle Information:

[Hirose Electric:](#)

[MS-156-HRMJ-H1](#)