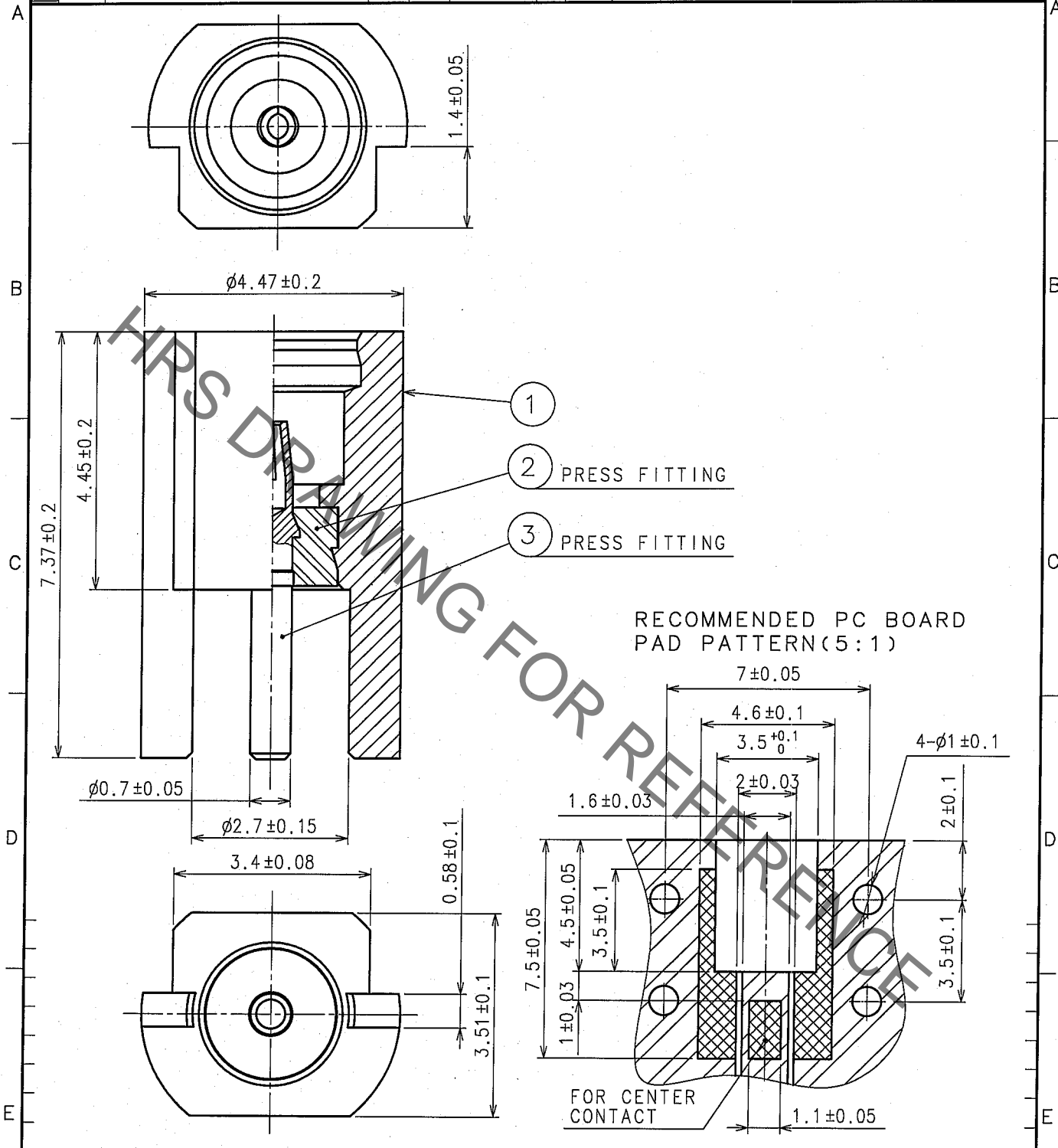


Jan.1.2022 Copyright 2022 HIROSE ELECTRIC CO., LTD. All Rights Reserved.
 In case of consideration for using Automotive equipment / device which demand high reliability, kindly contact our sales window correspondents.

1		2			3			4		
COUNT	DESCRIPTION OF REVISIONS	BY	CHKD	DATE	COUNT	DESCRIPTION OF REVISIONS	BY	CHKD	DATE	
△				..	△				..	
△				..	△				..	
△				..	△				..	



2	PTFE			3	BERYLLIUM COPPER	GOLD PLATING
1	BRASS	GOLD PLATING				
NO.	MATERIAL	FINISH, REMARKS		NO.	MATERIAL	FINISH, REMARKS

CODE NO. (OLD) CL	DRAWN	DESIGNED	CHECKED	APPROVED	RELEASED
RoHS COMPLIANT	<i>m. Haneko</i>	<i>T. Katayama</i>	<i>H. Shimizu</i>	<i>S. Mitani</i>	
	05.9.1	05.9.5	05.9.3	05.9.5	

 SCALE 10:1 UNITS mm	DRAWING NO. EDC4-133936-40 	PART NO. MMCX-LR-SMT(40)	CODE NO. CL339-0003-2-40	1/1
----------------------------------	-----------------------------------	-----------------------------	-----------------------------	-----



Mouser Electronics

Authorized Distributor

Click to View Pricing, Inventory, Delivery & Lifecycle Information:

[Hirose Electric:](#)

[MMCX-LR-SMT\(40\)](#)