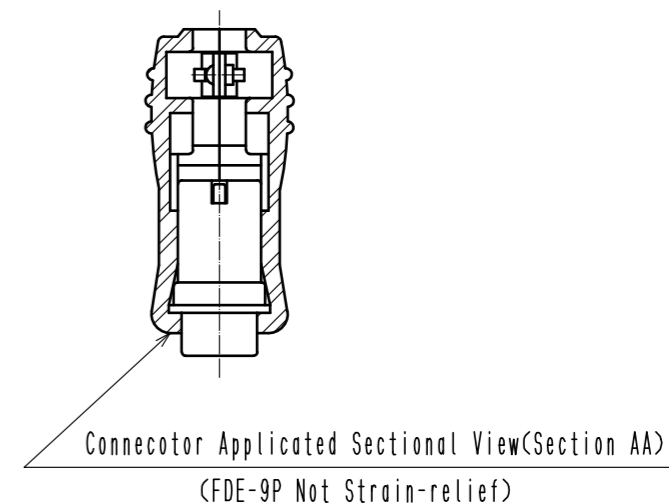
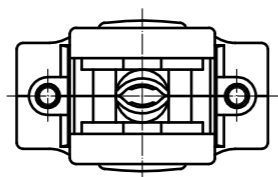
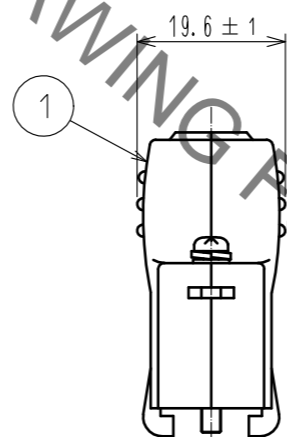
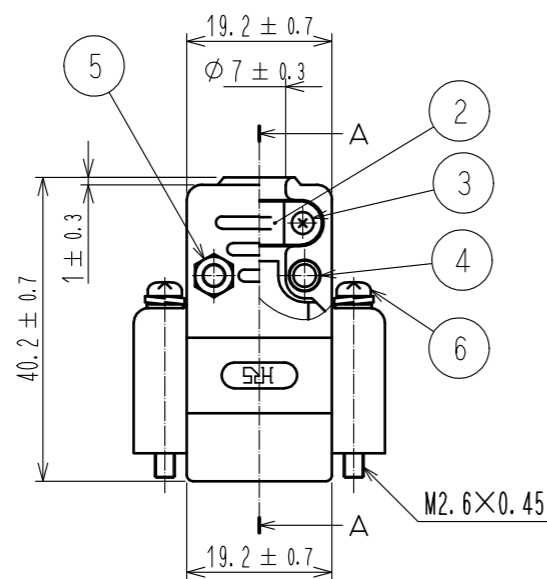
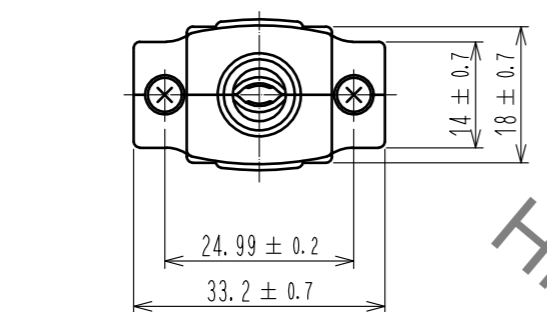


Jan.1.2022 Copyright 2022 HIROSE ELECTRIC CO., LTD. All Rights Reserved.  
 In case of consideration for using Automotive equipment / device which demand high reliability, kindly contact our sales window correspondents.



HRS DRAWING FOR REFERENCE

| NO. | MATERIAL | FINISH .  | REMARKS | NO. | MATERIAL | FINISH .  | REMARKS |
|-----|----------|---|---------|-----|----------|---|---------|
| 3   | Steel    | Over Plating:Nickel 0.8µm min<br>Under Plating:Copper 2µm min |         | 6   | Steel    | Over Plating:Nickel 0.8µm min<br>Under Plating:Copper 2µm min |         |
| 2   | Steel    | Over Plating:Nickel 3µm min<br>Under Plating:Copper 2µm min   |         | 5   | Steel    | Over Plating:Nickel 0.8µm min<br>Under Plating:Copper 2µm min |         |
| 1   | ABS      | (2.5PB 6/2)   |         | 4   | Steel    | Over Plating:Nickel 0.8µm min<br>Under Plating:Copper 2µm min |         |

| UNITS                              | SCALE | COUNT | DESCRIPTION OF REVISIONS     | DESIGNED | CHECKED | DATE |
|------------------------------------|-------|-------|------------------------------|----------|---------|------|
| mm                                 | 1 : 1 | △     |                              |          |         |      |
| APPROVED : NM. NISHIMATSU 15.12.17 |       |       | DRAWING NO. EDC-008840-50-00 |          |         |      |
| CHECKED : NM. NISHIMATSU 15.12.17  |       |       | PART NO. HDE-CTF(50)         |          |         |      |
| DESIGNED : MO. SHIMOYAMA 15.12.17  |       |       | CODE NO. CL211-0159-8-50     |          |         |      |
| DRAWN : MO. SHIMOYAMA 15.12.17     |       |       | 1/1                          |          |         |      |

# Mouser Electronics

Authorized Distributor

Click to View Pricing, Inventory, Delivery & Lifecycle Information:

[Hirose Electric:](#)

[HDE-CTF\(50\)](#)