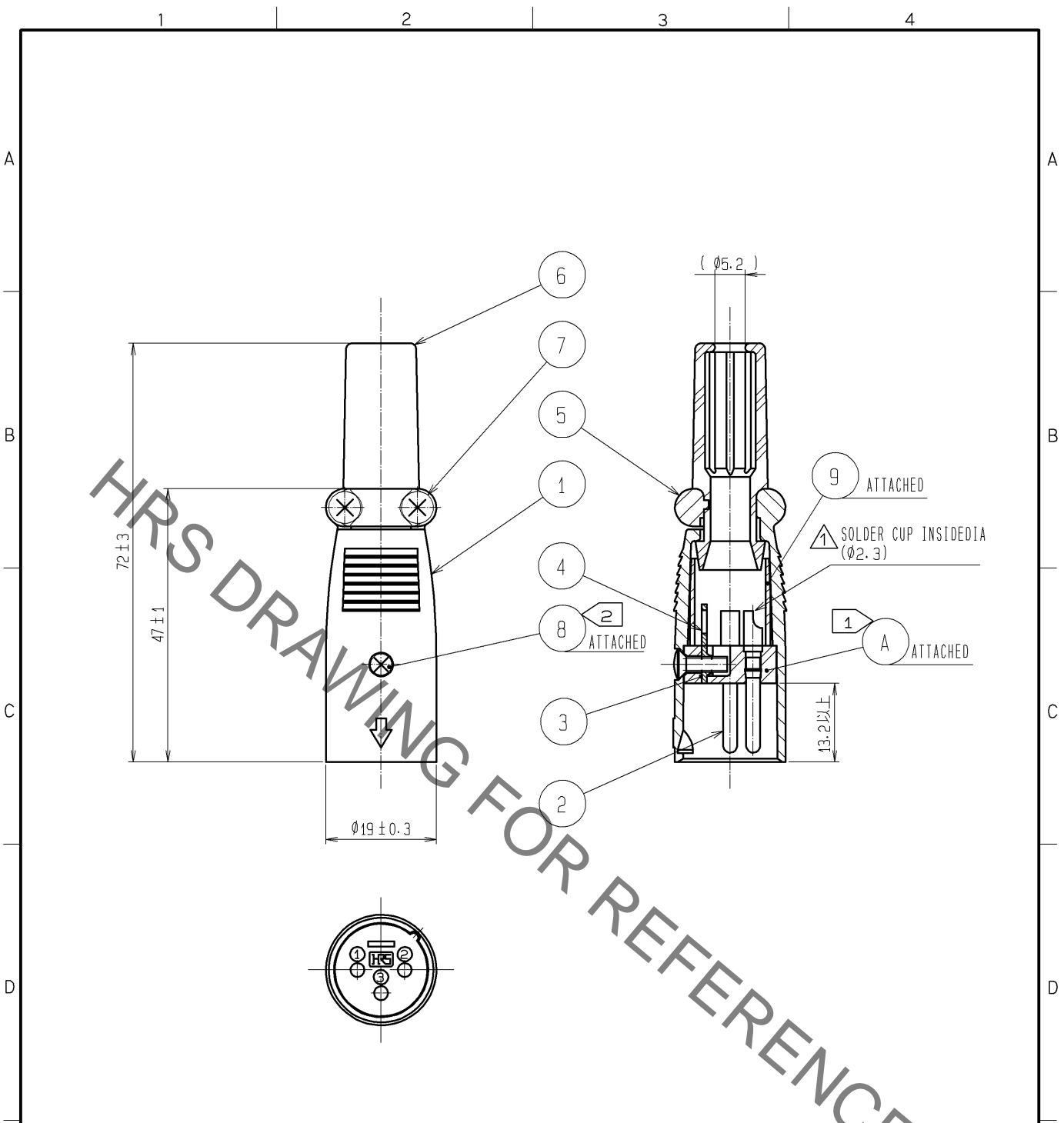


Jun.1.2021 Copyright 2021 HIROSE ELECTRIC CO., LTD. All Rights Reserved.
 In case of consideration for using Automotive equipment / device which demand high reliability, kindly contact our sales window correspondents.



NOTES

- ① SPECIFIES A BLOCK WHICH REF. NO. ② TO NO. ④ ARE INCORPORATED.
- ② THE RECOMMENDED CLAMP TORQUE OF REF. NO. ⑧ TO BE 0.3 TO 0.4 N · m.
- ③ THE CABLE PULL AND TWISTING STRENGTH AND OTHER CHARACTERISTICS MAY DIFFER, DEPENDING ON THE CABLE STRUCTURE. PLEASE CONFIRM BEFORE THE USE.

5	ZINC ALLOY	MATTE FINISH NICKEL PLATED			
4	BRASS	SILVER PLATING	9	POLYVINYLCHLORIDE	(BLACK) UL94V-0
3	POLYAMIDE	(GRAY)	8	STEEL	NICKEL PLATING M2.6×0.45×8
2	BRASS	SILVER PLATING 2μm min.	7	BRASS	NICKEL PLATING M3×0.5×8
1	ZINC ALLOY	MATTE FINISH NICKEL PLATED	6	CHLOROPRENE RUBBER	(BLACK)
NO.	MATERIAL	FINISH , REMARKS	NO.	MATERIAL	FINISH , REMARKS

UNITS mm		SCALE 1 : 1	COUNT 1	DESCRIPTION OF REVISIONS DIS-C-002111	DESIGNED TY. SUZUKI	CHECKED HY. KISHI	DATE 11. 03. 22
HIROSE ELECTRIC CO., LTD.				APPROVED : SU. OBARA 10. 03. 29 CHECKED : HY. KISHI 10. 03. 27 DESIGNED : MM. ISHII 10. 03. 27 DRAWN : MM. ISHII 10. 03. 27	DRAWING NO. EDC4-024099-76 PART NO. HA216J-3P(76) CODE NO. CL104-0704-7-76	1/1	

Mouser Electronics

Authorized Distributor

Click to View Pricing, Inventory, Delivery & Lifecycle Information:

[Hirose Electric:](#)

[HA216J-3P\(76\)](#)