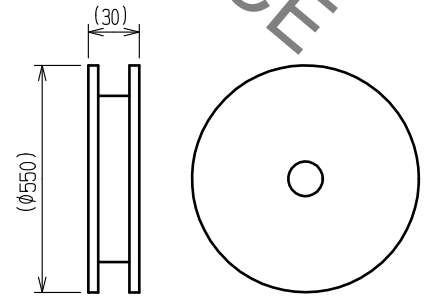
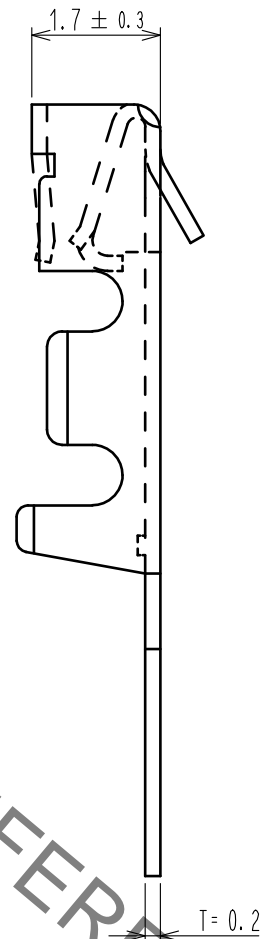
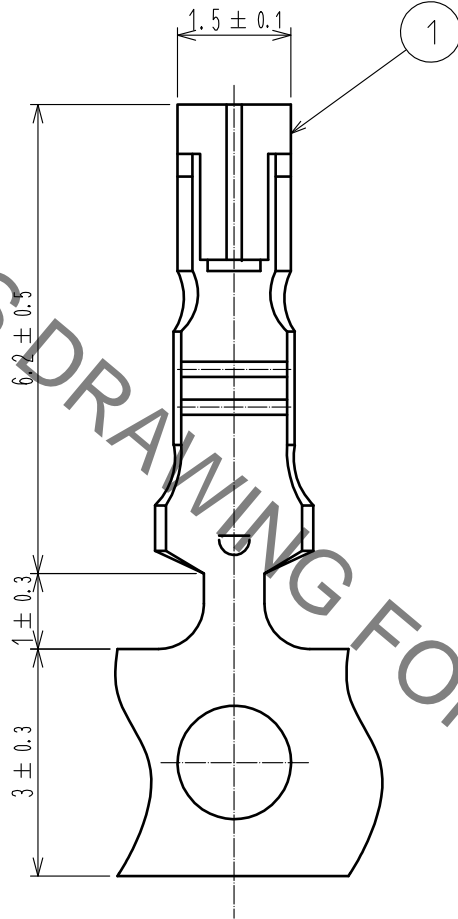


Jun.1.2019 Copyright 2019 HIROSE ELECTRIC CO., LTD. All Rights Reserved.  
 In case of consideration for using Automotive equipment / device which demand high reliability, kindly contact our sales window correspondents.

ELV, RoHS COMPLIANT



NOTE 1. PER REEL: 10000 CONTACTS.  
 2 THE OUTER DIAMETER OF THE REEL.  
 (REFER TO RIGHT FIG.)

2 THE OUTER DIAMETER OF THE REEL

1	PHOSPHOR BRONZE	CONTACT PART : GOLD PLATING BARREL PART : TIN PLATING						
NO.	MATERIAL	FINISH . REMARKS	NO.	MATERIAL	FINISH . REMARKS			
UNITS mm		SCALE 10:1	COUNT 	DESCRIPTION OF REVISIONS		DESIGNED	CHECKED	DATE
<b>HRS</b> HIROSE ELECTRIC CO., LTD.	APPROVED	:NH. NAKATA	15.08.19	DRAWING NO.		EDC-166733-01-00		
	CHECKED	:HS. OZAWA	15.08.19	PART NO.		GT8B-2428SCF<01>		
	DESIGNED	:HH. TSUKUMO	15.08.19	CODE NO.		CL758-0055-7-01		
	DRAWN	:HH. TSUKUMO	15.08.19			1/1		

# Mouser Electronics

Authorized Distributor

Click to View Pricing, Inventory, Delivery & Lifecycle Information:

[Hirose Electric:](#)

[GT8B-2428SCF\(01\)](#)