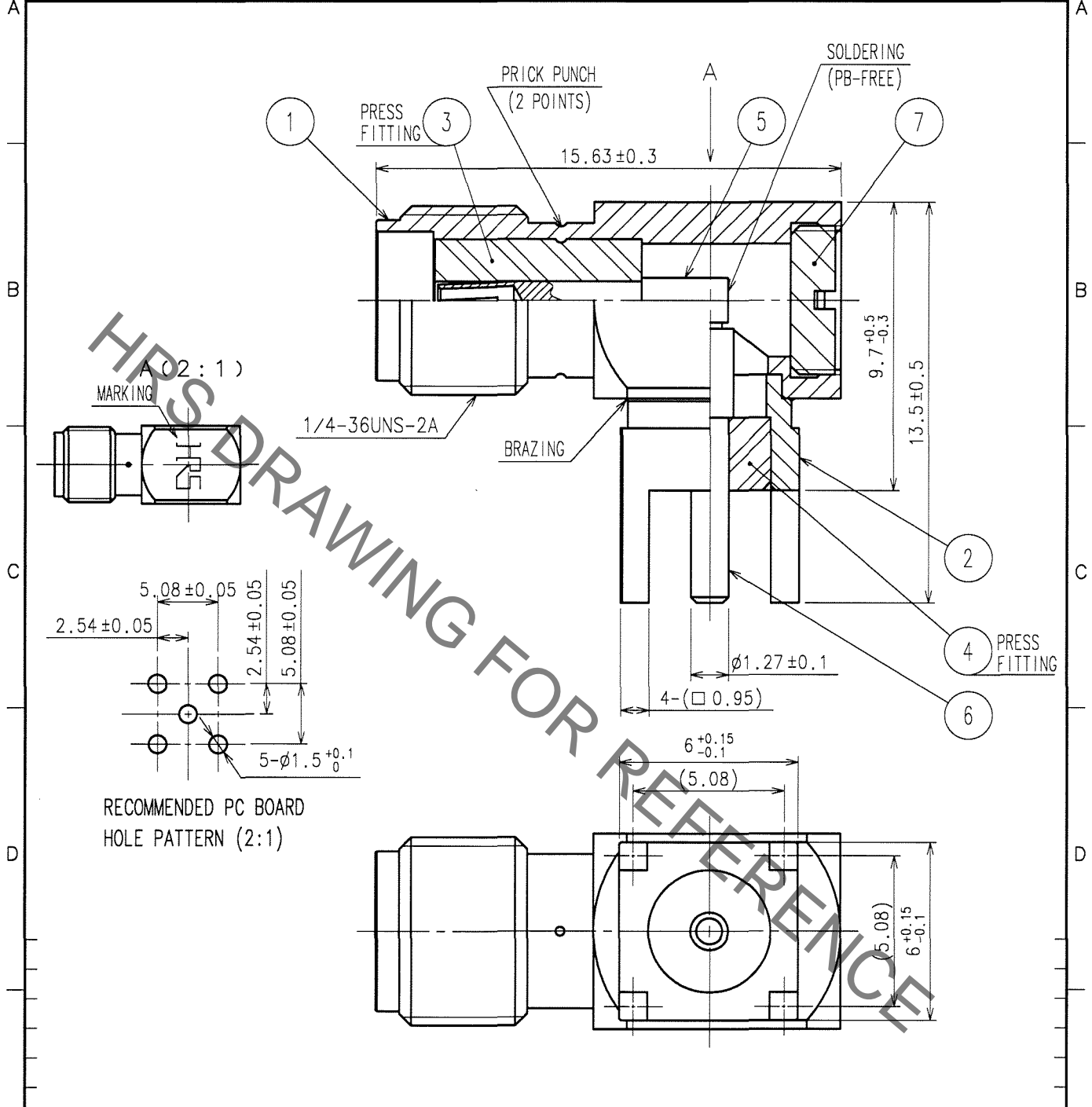


Jan.1.2022 Copyright 2022 HIROSE ELECTRIC CO., LTD. All Rights Reserved.
 In case of consideration for using Automotive equipment / device which demand high reliability, kindly contact our sales window correspondents.

1		2		3		4			
COUNT	DESCRIPTION OF REVISIONS	BY	CHKD	DATE	COUNT	DESCRIPTION OF REVISIONS	BY	CHKD	DATE
△					△				
△					△				
△					△				



4	PTFE		7	BRASS	NICKEL PLATING
3	PTFE		6	BRASS	GOLD PLATING
2	BRASS	NICKEL PLATING	5	BERYLLIUM COPPER	GOLD PLATING
1	STAINLESS STEEL	NICKEL PLATING			
NO.	MATERIAL	FINISH, REMARKS	NO.	MATERIAL	FINISH, REMARKS

CODE NO. (OLD) CL		DRAWN <i>y. sujiyama</i> 06.04.26	DESIGNED <i>T. Katayama</i> 06.04.26	CHECKED <i>H. Shimizu</i> 06.04.26	APPROVED <i>I. Mitani</i> 06.04.26	RELEASED
RoHS COMPLIANT						
DRAWING NO. EDC4-009639-40		PART NO. HRM-300-126S(40)				
SCALE 5 : 1		CODE NO. CL323-0253-4-40				1 1
UNITS mm		HIROSE ELECTRIC CO., LTD.				

TO
RF

Mouser Electronics

Authorized Distributor

Click to View Pricing, Inventory, Delivery & Lifecycle Information:

[Hirose Electric:](#)

[HRM-300-126S\(40\)](#)