

NEW

PTS125 Series 12 mm Tact Switches



Features/Benefits

- THT and SMT terminations
- Various heights
- Snap fit actuator option

Typical Applications

- Consumer products
- Instrumentation
- Computer products
- Industrial

Tactile Switches

Specification

FUNCTION: Momentary action
 CONTACT ARRANGEMENT: 1 make contact SPST, N.O.
 TERMINALS: PC pins for THT and G type for SMT
 TRAVEL: 130 gf 0.20 mm
 180 gf 0.25 mm
 250 gf 0.30 mm
 350 gf 0.35 mm

Mechanical

OPERATING FORCE: 130 gf, 180 gf, 250 gf, 350 gf

Electrical

MAX VOLTAGE: 12 VDC
 MAX CURRENT: 50 mA
 DIELECTRIC STRENGTH: 250 V AC (1mn)
 CONTACT RESISTANCE: <100 mΩ
 INSULATION RESISTANCE: >100MΩ
 BOUNCE TIME: < 5 ms

NOTE:

- Specifications listed above are for switches with standard options. For information on specific and custom switches, consult Customer Service Center.
- The PTS series is not certified for using in Automotive application and no PPAP. However, in the case of some automotive accessories and specific applications for 2 and 3 wheeled vehicles the PTS is widely used and very suitable. Please contact your local C&K representative to discuss your application and the best switch solution.

Environmental

OPERATING TEMPERATURE: -40°C to 85°C

Process

SOLDERING: This component is suited to the following methods:
 Infrared reflow soldering in accordance with IEC 61760-1 for SMT version
 Wave soldering compatible with lead free soldering profile

Packaging

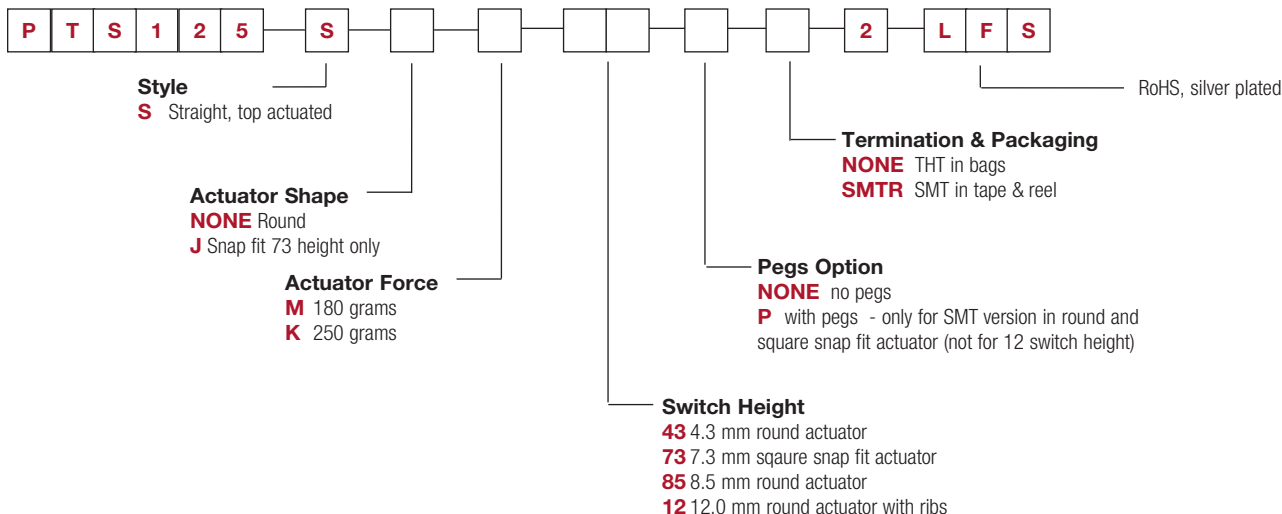
Dimensions of reels according to EIA 481B. External diameter 330 mm.

Soldering Style	Height	Packaging	Parts per Packaging
THT	All heights	Plastic bag	500
SMT	4.3 mm	tape & reel	900
SMT	4.3 mm with pegs	tape & reel	600
SMT	7.3 mm	tape & reel	500
SMT	7.3 mm with pegs	tape & reel	500
SMT	8.5 mm	tape & reel	500
SMT	8.5 mm with pegs	tape & reel	400
SMT	12 mm	tape & reel	250

How To Order

Our easy build-a-switch concept allows you to mix and match options to create the switch you need. To order, select desired option from each category and place it in the appropriate box.

STANDARD VERSION: 200K LIFE



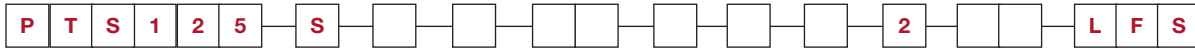
Other heights with the round actuator are available upon request. Different minimum order quantities than the stand may apply.



NEW

PTS125 Series 12 mm Tact Switches

LONG LIFE VERSION: 1000K TO 5000K LIFE



Style

S Straight, top actuated

Actuator Shape

NONE Round
J Snap fit 73 height only

Actuator Force

L 130 grams
M 180 grams
K 250 grams
R 350 grams

Switch Height

43 4.3 mm round actuator
73 7.3 mm square snap fit actuator
85 8.5 mm round actuator
12 12.0 mm round actuator with ribs

Pegs Option

NONE no pegs
P with pegs

Termination & Packaging

NONE THT in bags
SMTR SMT in tape & reel

Ground Pin Option

NONE no ground pin
G with ground pin *

* Ground pin version design is available for SMT only

RoHS, silver plated

Life Cycles

1M 1M life cycles

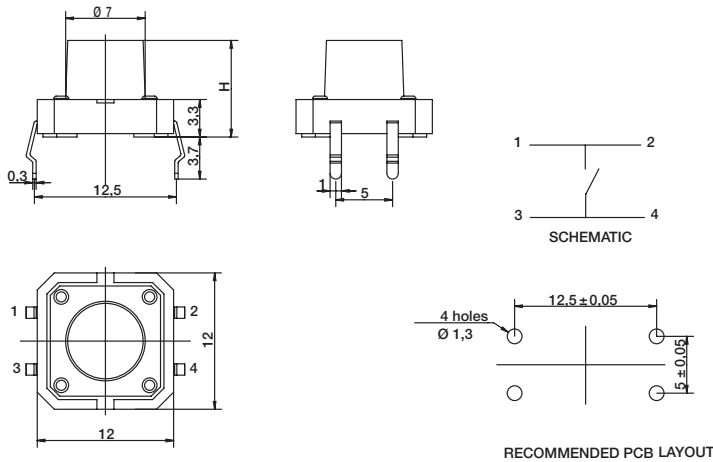
5M 5M life cycles *

* 5M life only for 130 gf version

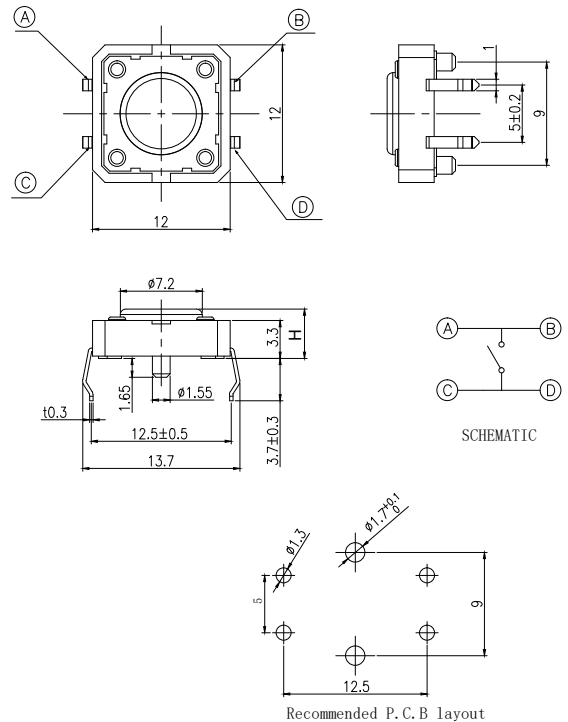
Other heights with the round actuator are available upon request.
Different minimum order quantities than the stand may apply.

Tactile Switches

THT VERSION WITHOUT PEGS WITH ROUND ACTUATOR
H= 4.3, 7.3 & 8.5 MM (other height upon request)



THT VERSION WITH PEGS WITH ROUND ACTUATOR
H= 4.3, 7.3 & 8.5 MM (other height upon request)



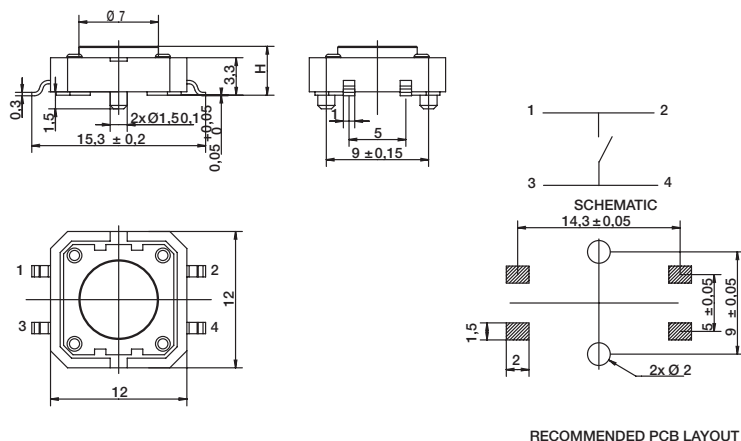
14 Nov 22

PTS125 Series 12 mm Tact Switches

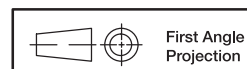
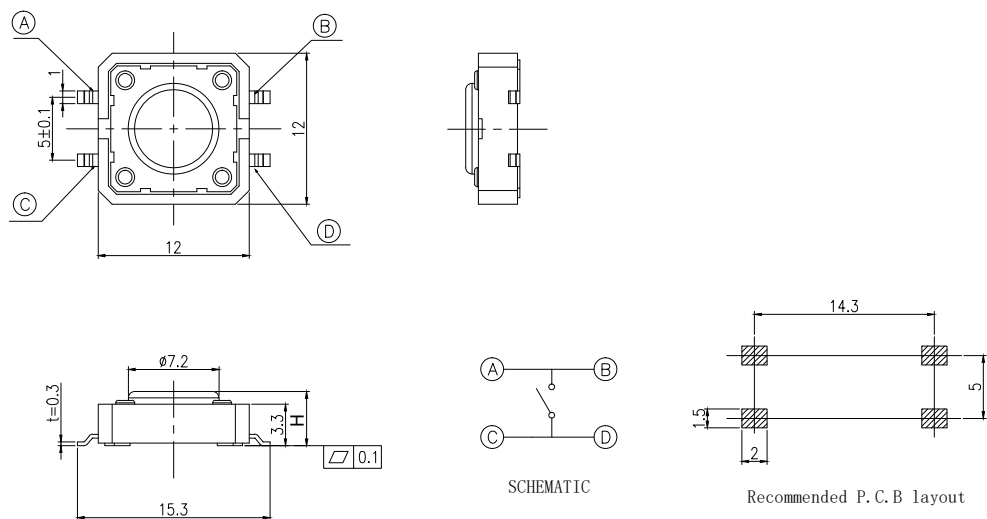
NEW

Tactile Switches

SMT VERSION WITH PEGS WITH ROUND ACTUATOR AND PEGS H= 4.3, 7.3 & 8.5 MM (other height upon request)



SMT VERSION WITHOUT PEGS WITH ROUND ACTUATOR AND PEGS H= 4.3, 7.3 & 8.5 MM (other height upon request)



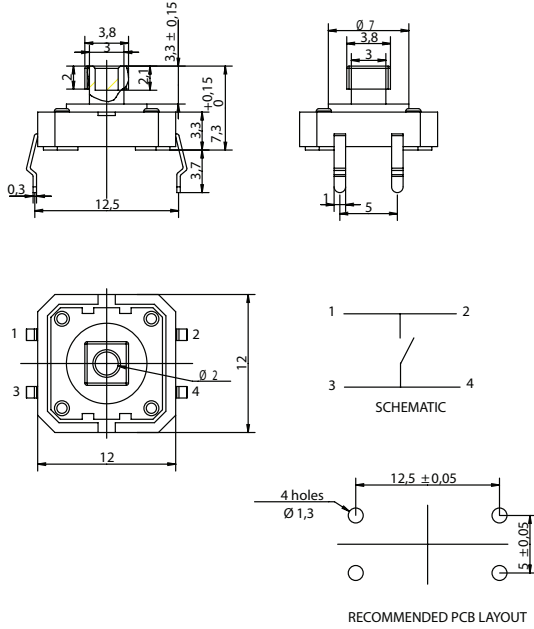
First Angle
Projection

Dimensions are shown: mm
Specifications and dimensions subject to change

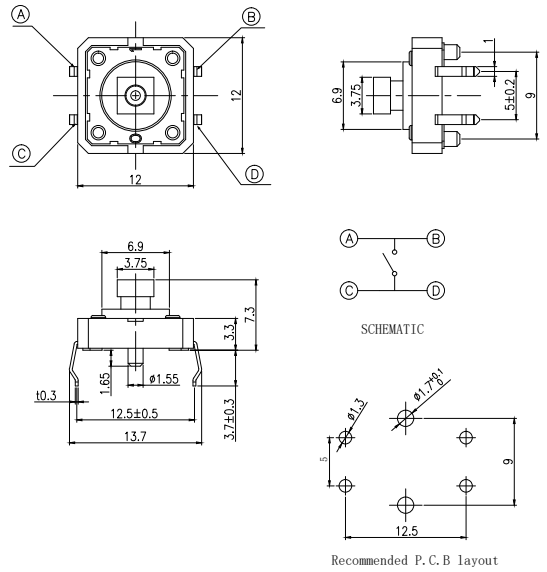
NEW

PTS125 Series 12 mm Tact Switches

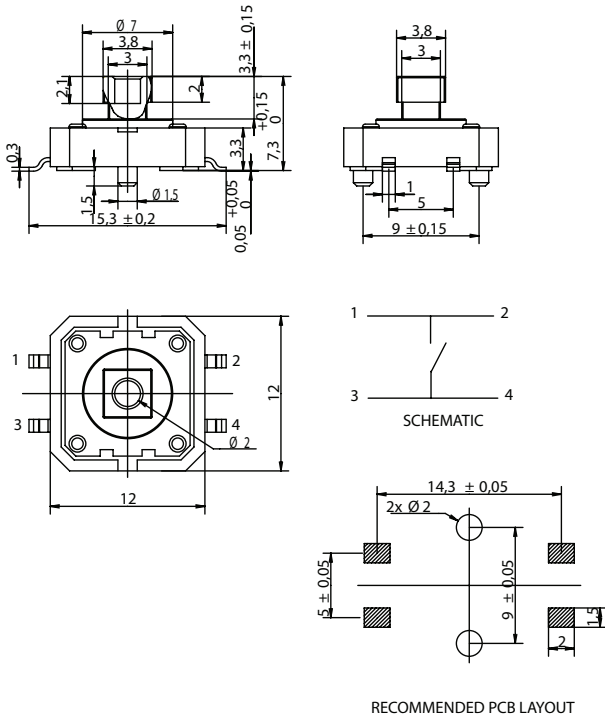
THT VERSION WITHOUT PEGS WITH SQUARE SNAP FIT ACTUATOR H= 7.3 MM



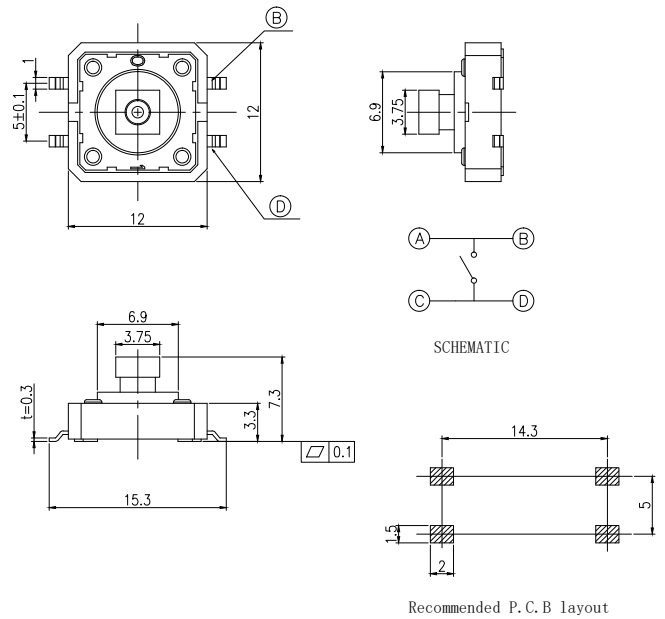
THT VERSION WITHOUT PEGS WITH SQUARE SNAP FIT ACTUATOR H= 7.3 MM



SMT VERSION WITH PEGS WITH SQUARE SNAP FIT ACTUATOR AND PEGS H= 7.3 MM



SMT VERSION WITHOUT PEGS WITH SQUARE SNAP FIT ACTUATOR AND PEGS H= 7.3 MM



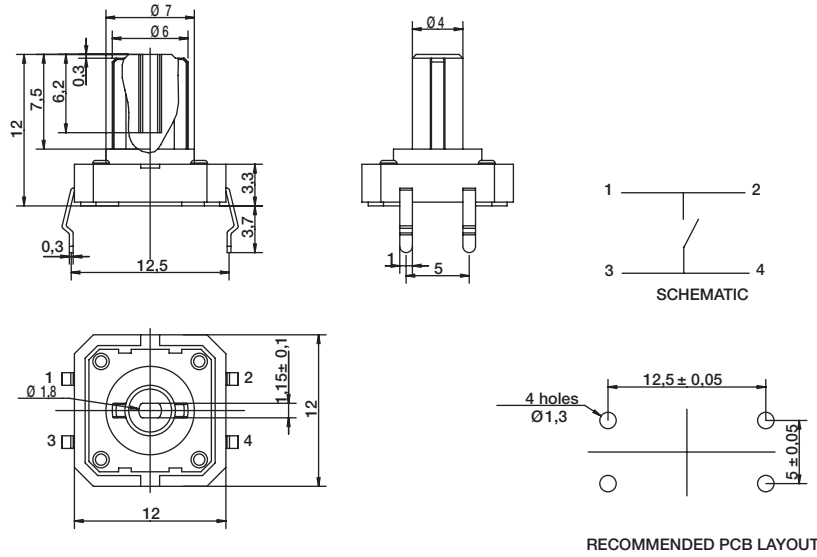
Tactile Switches



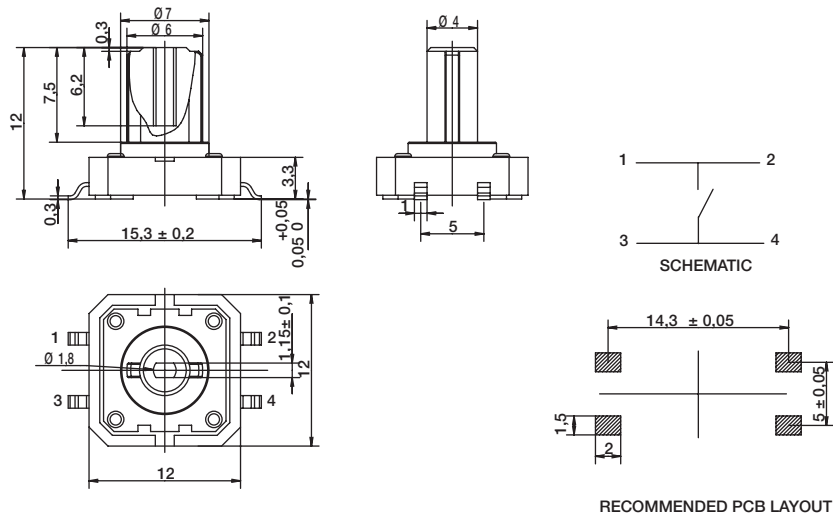
PTS125 Series 12 mm Tact Switches

NEW

THT VERSION WITH ROUND RIBBED ACTUATOR H= 12.0 MM



SMT VERSION WITH ROUND RIBBED ACTUATOR H= 12.0 MM



Dimensions are shown: mm
Specifications and dimensions subject to change

