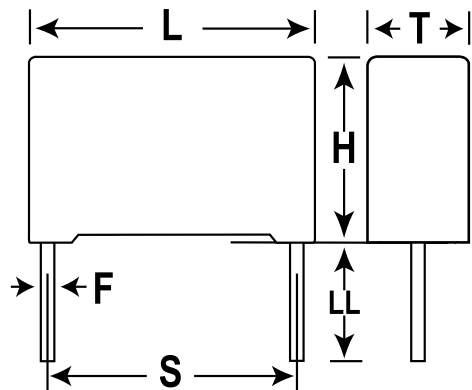


KEMET Part Number: R75QD1220Z330J
(75QD1220Z330J)

Capacitor, Film, Metallized Polypropylene, 2200 pF, +/-5% Tol, -55/+105C, General Purpose, 1000 VDC@85C, Lead Spacing=7.5 mm



General Information	
Supplier:	KEMET
Dielectric:	Metallized Polypropylene
Application:	General Purpose
Sub Application:	AEC-Q200
Style:	Radial Box
Lead Form:	Wire Leads
Features:	Pulse
Approvals:	AEC-Q200
RoHS:	Yes

Dimensions (mm)		
Symbol	Dimension	Tolerance
L	10	+0.2
H	9	+0.1
T	4	+0.1
S	7.5	+/-0.4
LL	17	+1/-2
F	0.5	+/-0.05

Specifications	
Capacitance:	2200 pF
Voltage:	1000 VDC
Tolerance:	+/-5%
Voltage AC:	400 VAC
Rated Temperature:	85C
Temperature Range:	-55/+105C
Dissipation Factor @ 1 kHz:	0.04%
Dissipation Factor @ 10 kHz:	0.06%
Dissipation Factor @ 100kHz:	0.25%
Insulation Resistance:	100 GOhm
Inductance:	8
Maximum dVdT:	4000 v/us
Miscellaneous:	Above 85C DC And AC Voltage Derating Is 1.25%/C

Packaging Specifications	
Package Kind:	Bulk
Package Quantity:	1500