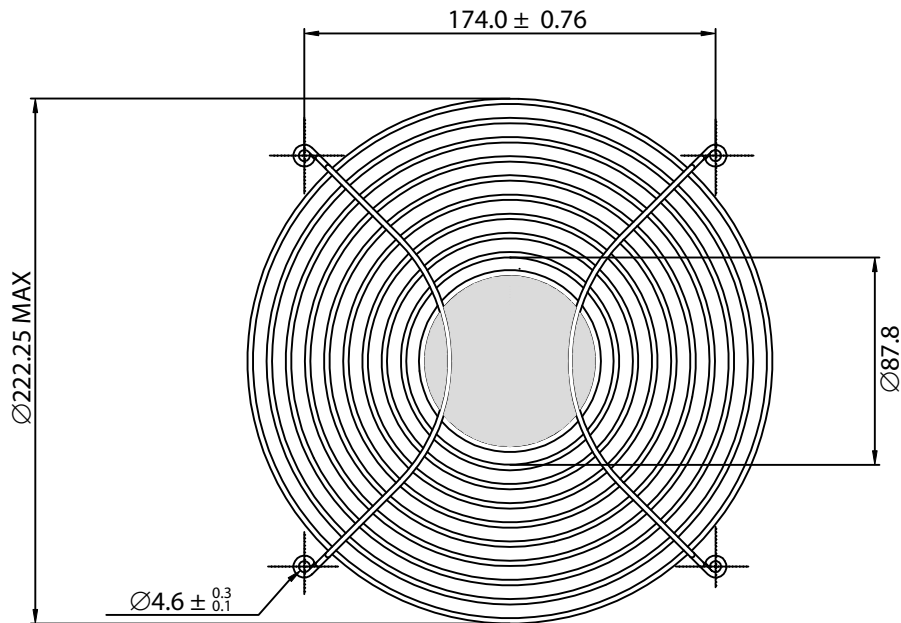


THESE DRAWINGS ARE THE PROPERTY OF QUALTEK ELECTRONICS AND NOT TO BE REPRODUCED FOR OR COMMUNICATED TO A THIRD PARTY WITHOUT THE EXPRESS WRITTEN PERMISSION OF AN OFFICER OF QUALTEK ELECTRONICS.

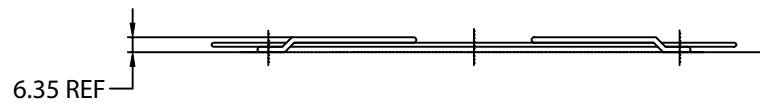
REVISION			
REV.	DESCRIPTION	DATE	APPROVED
A	RoHS Compliancy	06-01-06	DP



NOTES:

1. MATERIAL: C1008 BRIGHT BASIC WIRE
2. FINISH: BRIGHT NICKEL CHROME PLATING
3. 0.35 ± 0.05 DEPTH OF SERRATIONS ON WIRE
4. RING: $\varnothing 2.3 \pm 0.1$ mm
RIB: $\varnothing 2.3 \pm 0.1$ mm
CENTER DISC: = $\varnothing 76.8$ T=0.8
5. GENERAL TOLERANCE UNLESS NOTED IS ± 0.5 mm
6. RoHS COMPLIANT

CONTROLLED



Dim range (mm)	Tolerance +/- (mm)	Qualtek Electronics Corp. FAN-S DIVISION		
0-5	0.1	Part Number: 08127		RoHS Compliant
5-16	0.15	Description: WIRE FORM FAN GUARD (254mm)		
16-64	0.2		UNIT: mm	REV: A
64-250	0.4	Drawn / Date	Checked / Date	Approved / Date
250-1000	0.5	B.ZHANG 12-03-04	12-03-04	JJH / 12-03-04
1000-1500	1.0			

Mouser Electronics

Authorized Distributor

Click to View Pricing, Inventory, Delivery & Lifecycle Information:

[Qualtek:](#)

[08127](#)