

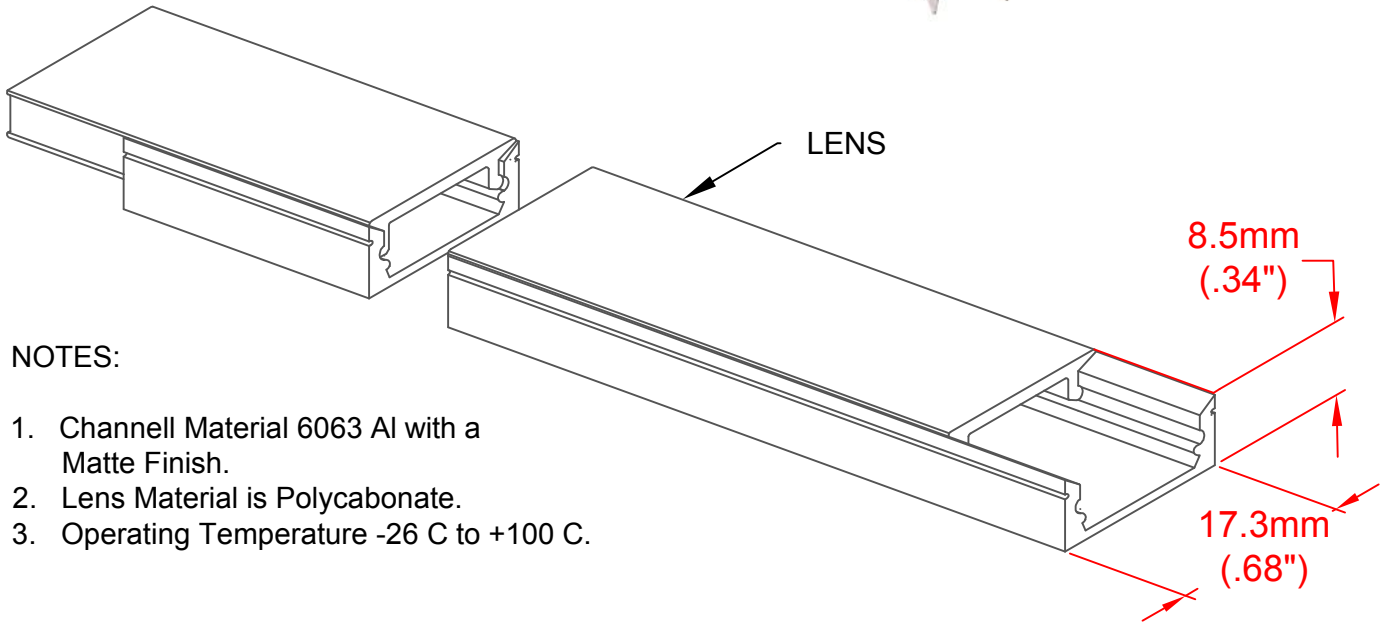
ALUMINUM LED CHANNEL

FEATURES:

Compatible with all 8,10, and 12mm wide LED flex ribbons.

Each Channel includes 2 End Caps.

Two High Temperature Lens Options:  
Milk White or Semi Clear



NOTES:

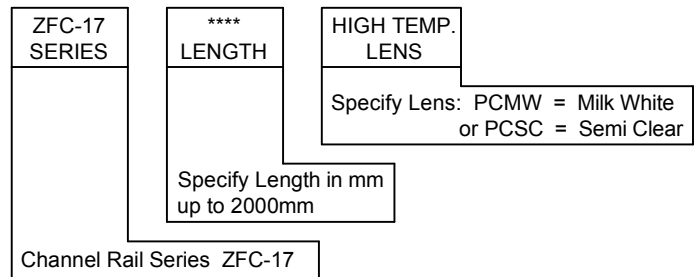
1. Channel Material 6063 Al with a Matte Finish.
2. Lens Material is Polycarbonate.
3. Operating Temperature -26 C to +100 C.

OPTIONAL ACCESSORIES  
(Order Separate)



MOUNTING CLIP  
JKL Part No.:  
ZRC-17-MC

CHANNEL LENGTH AND LENS ORDERING GUIDE



JKL Part Number Example: ZFC-171000-PCMW  
Channel Series with 1 Meter (1000mm) Length and High Temperature Polycarbonate Milk White Lens.

<p>THIRD ANGLE PROJECTION</p>			<p>METRIC</p> <p>DIMENSIONS ARE IN mm (INCHES)</p> <p>TOLERANCE UNLESS OTHERWISE SPECIFIED</p> <p>1 PL +/- REF.</p> <p>2 PL +/- REF.</p> <p>ANGLE +/-</p>		<p><b>JKL</b> COMPONENTS CORPORATION</p> <p>TITLE: ALUMINUM LED CHANNEL</p>				
<p>CHANGE FEATURES &amp; OPT. ACCESS.</p> <p>RELEASE</p>			<p>DRAWN BY: L. WENGSTROM</p> <p>APPV'D BY: S.C.</p> <p>DATE: 8/5/15</p>		<p>SIZE: <b>A</b></p>	<p>FSCM NO.: <b>55335</b></p>	<p>DRAWING NO.: ZFC-17-PC MULTI</p>		
<p>REV. NO.</p>	<p>DESCRIPTION/ECO NUMBER</p>	<p>APPV'D DATE</p>	<p>- CAD DRAWING -</p> <p>MANUAL REVISIONS NOT PERMITTED</p>		<p>SCALE: NONE</p>	<p>RELEASED DATE: 6/12/15</p>	<p>REVISION DATE: 8/5/15</p>	<p>REV. NO.: <b>A</b></p>	<p>SHEET 1 OF 1</p>

# Mouser Electronics

Authorized Distributor

Click to View Pricing, Inventory, Delivery & Lifecycle Information:

[JKL Components:](#)

[ZFC-171000-PCMW](#) [ZRC-17-MC](#)