

# Customer Information Sheet

DRAWING No.: M7684-XX - M7687-XX

SHEET 2 OF 2

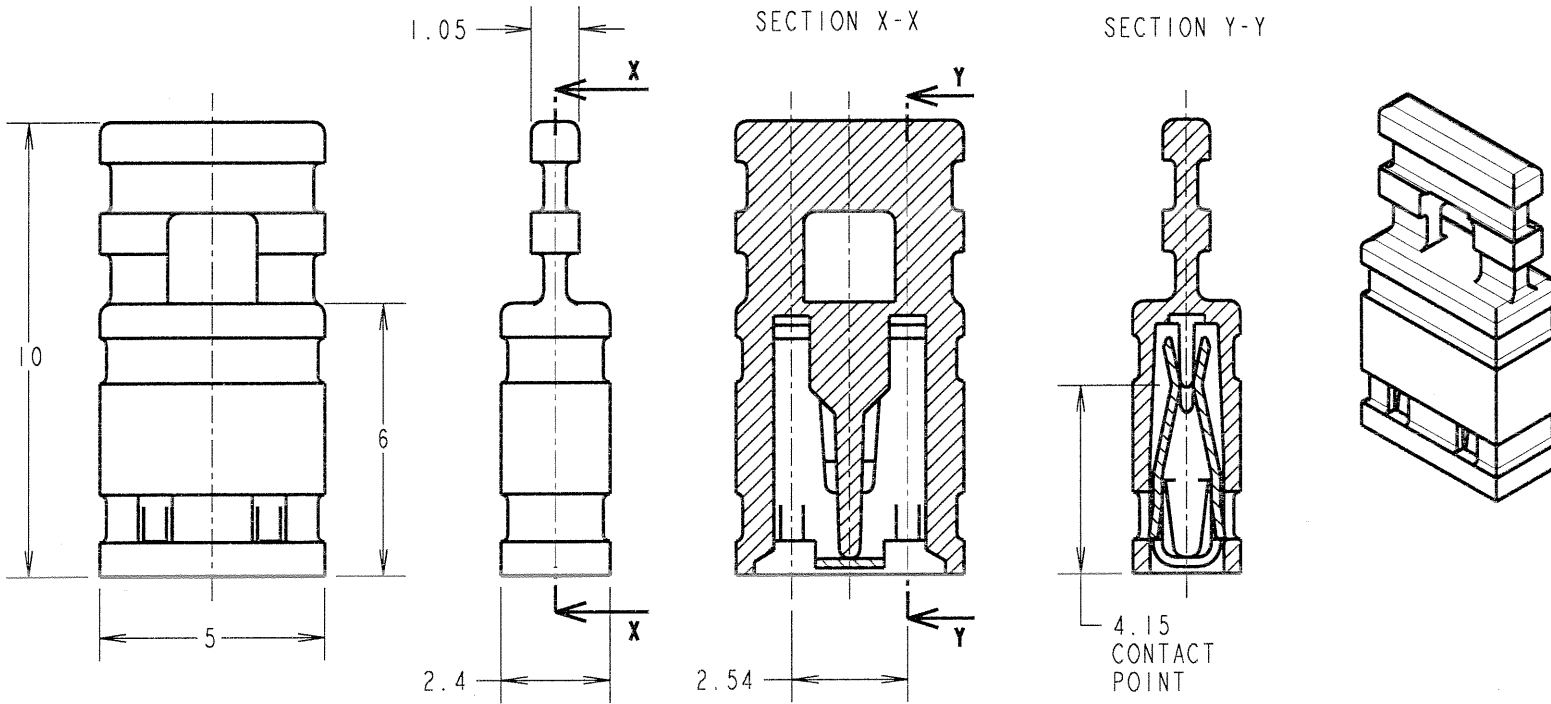
IF IN DOUBT - ASK

©

NOT TO SCALE

THIRD ANGLE PROJECTION

ALL DIMENSIONS IN mm



ORDER CODE:  
**M768X-XX**

MOULDING COLOUR

4 - LT. GREY	5 - RED
6 - BLACK	7 - BLUE

CONTACT FINISH

05 - GOLD
46 = 100% TIN

SCALE 5

**NOTES:**

- MATING PIN = 0.64mm SQUARE, MAXIMUM LENGTH = 5.6mm.
- FOR FULL ELECTRICAL/MECHANICAL SPECIFICATIONS, SEE COMPONENT SPECIFICATION C003XX (LATEST ISSUE).

**SPECIFICATIONS:**

**MATERIAL:**  
MOULDING = POLYESTER UL94V-0  
(SEE ORDER CODE FOR COLOUR)  
CONTACT = PHOSPHOR BRONZE

**FINISH:**  
05 = 0.13µ GOLD  
46 = 3µ 100% TIN

**MECHANICAL:**  
DURABILITY = 50 OPERATIONS (TIN)  
300 OPERATIONS (GOLD)  
INSERTION FORCE = 12.5N MAX  
WITHDRAWAL FORCE = 1.0N MIN

**ELECTRICAL:**

CURRENT RATING = 3A MAX  
VOLTAGE RATING = 250V AC/DC  
VOLTAGE PROOF = 750V AC  
CONTACT RESISTANCE = 30mΩ MAX (TIN)  
25mΩ MAX (GOLD)  
INSULATION RESISTANCE = 1,000MΩ MIN  
**ENVIRONMENTAL:**  
TEMPERATURE RANGE = -40°C TO +85°C

JMB	4	11.04.06	9154
NAME	ISS.	DATE	C/NOTE
APPROVED: <i>W. J. Bourne</i>			
CHECKED: <i>[Signature]</i>			
DRAWN:		W. J. BOURNE	
CUSTOMER REF.:			
ASSEMBLY DRG:			

**HARWIN**

HARWIN INC U.S.A. TEL: (812) 542 2540 FAX: (812) 542 2541	HARWIN PLC U.K. TEL: 023 9231 4545 FAX: 023 9231 4590	HARWIN PTE SINGAPORE TEL: 65 6779 4909 FAX: 65 6779 3868
--	--	---

THIS DRAWING AND ANY INFORMATION OR DESCRIPTIVE MATTER SET OUT HEREON ARE CONFIDENTIAL AND COPYRIGHT PROPERTY OF THE HARWIN GROUP AND MUST NOT BE DISCLOSED, LOANED, COPIED OR USED FOR MANUFACTURING, TENDERING OR FOR ANY OTHER PURPOSE WITHOUT THEIR WRITTEN PERMISSION.

**TOLERANCES**

X. = ±1mm  
X.X = ±0.25mm  
X.XX = ±0.10mm  
X.XXX = ±0.01mm

ANGLES = ±5°  
UNLESS STATED

**MATERIAL:**  
SEE TABLE

**FINISH:**  
SEE TABLE

**S/AREA:** mm<sup>2</sup>

**TITLE:** 2.54mm PITCH  
CLOSED-BOX JUMPER SOCKET  
WITH HANDLE (10mm)

**DRAWING NUMBER:**  
**M7684-XX - M7687-XX**

SHT 2 OF 2