

JUMO GmbH & Co. KG
 Delivery address: Mackenrodtstraße 14
 36039 Fulda, Germany
 Postal address: 36035 Fulda, Germany
 Phone: +49 661 6003-0
 Fax: +49 661 6003-607
 Email: mail@jumo.net
 Internet: www.jumo.net

JUMO Instrument Co. Ltd.
 JUMO House
 Temple Bank, Riverway
 Harlow, Essex CM 20 2DY, UK
 Phone: +44 1279 63 55 33
 Fax: +44 1279 62 50 29
 Email: sales@jumo.co.uk
 Internet: www.jumo.co.uk

JUMO Process Control, Inc.
 6733 Myers Road
 East Syracuse, NY 13057, USA
 Phone: +1 315 437 5866
 Fax: +1 315 437 5860
 Email: info.us@jumo.net
 Internet: www.jumousa.com



Indoor, Outdoor, and Channel RTD Temperature Probes

- For temperatures from -50 to +200 °C
- For use in air-conditioning technology
- Protection type IP20 to IP65
- Connection available in two-wire, three-wire, or four-wire circuit
- Available with analog transmitter

Indoor, outdoor, and channel RTD temperature probes for air-conditioning technology are mainly used for temperature measurement in rooms, in air channels, and outdoors.

Various device versions made of plastic with different protection types are available for the respective measuring task.

The measuring insert is fitted as standard with a Pt100 temperature sensor according to DIN EN 60751, class B in a two-wire circuit; versions with Pt500, Pt1000, Ni1000, and various NTCs are also available. From the connection terminals, wiring in a three-wire and four-wire circuit is also possible.

A transmitter can be integrated as an option.



Technical data

Cable socket	Plastic housing PC (basic type 902520/11, material PP), protection type IP20 to IP65, basic type 902524/25 protection type IP54 and IP65
Protection tube	Stainless steel 1.4571; dia. 6 mm
Measuring insert	Pt100 temperature sensor, DIN EN 60751, class B, two-wire circuit Pt1000 temperature sensor, DIN EN 60751, class B, two-wire circuit, Please see the order details for further options
Transmitter	Analog transmitter, output signal 4 to 20 mA or 0 to 10 V

Approvals / approval marks (see "Technical data")



JUMO GmbH & Co. KG
 Delivery address: Mackenrodtstraße 14
 36039 Fulda, Germany
 Postal address: 36035 Fulda, Germany
 Phone: +49 661 6003-0
 Fax: +49 661 6003-607
 Email: mail@jumo.net
 Internet: www.jumo.net

JUMO Instrument Co. Ltd.
 JUMO House
 Temple Bank, Riverway
 Harlow, Essex CM 20 2DY, UK
 Phone: +44 1279 63 55 33
 Fax: +44 1279 62 50 29
 Email: sales@jumo.co.uk
 Internet: www.jumo.co.uk

JUMO Process Control, Inc.
 6733 Myers Road
 East Syracuse, NY 13057, USA
 Phone: +1 315 437 5866
 Fax: +1 315 437 5860
 Email: info.us@jumo.net
 Internet: www.jumousa.com



Transmitter

	Output 4 to 20 mA	Output 0 to 10 V
Input		
Measurement input	Pt100 (DIN EN 60751)	Pt100 (DIN EN 60751)
Sensor current	≤ 0.5 mA	≤ 0.5 mA
Sampling rate	Permanent measurement due to analog signal path	Permanent measurement due to analog signal path
Measuring circuit monitoring		
Underrange	Dropping to ≤ 3.6 mA	0 V
Overrange	Increasing to ≥ 22 to < 28 mA (typical 24 mA)	Increasing to ≥ 11 to < 14 V (typical 12 V)
Probe short circuit	≤ 3.6 mA	0 V
Probe/cable break	≥ 22 to < 28 mA (typical 24 mA)	≥ 11 to < 14 V (typical 12 V)
Output		
Output signal	Load-independent direct current: 4 to 20 mA	Direct voltage: 0 to 10 V
Transmission behavior	Temperature-linear	Temperature-linear
Transmission accuracy	≤ ±0.1 %	≤ ±0.2 %
Attenuation of the residual ripple of a voltage supply of 24 V, amplitude 10 V/50 Hz, burden 470 Ω/load 10 MΩ	37 dB	40 dB
Burden (Rb)	$R_b = (U_b - 7.5 \text{ V}) \div 22 \text{ mA}$	-
Burden influence	≤ ±0.02 %/100 Ω ^a	-
Load / load influence	-	≥ 10 kΩ/≤ ±0.1 %
Setting time for temperature changes	≤ 10 ms	≤ 10 ms
Calibration conditions	DC 24 V/approx. 22 °C	DC 24 V/approx. 22 °C
Calibration accuracy	≤ ±0.2 % ^{a,b} or ≤ ±0.2 K	≤ ±0.2 % ^{a,b} or ≤ ±0.2 K
Overall accuracy, sensor/calibration	±0.4 K (typical) at 20 °C/24 V voltage supply	±0.4 K (typical) at 20 °C/24 V voltage supply
Voltage supply		
Voltage supply (U _b)	DC 7.5 to 30 V	DC 15 to 30 V
Reverse voltage protection	Yes	Yes
Voltage supply influence	≤ ±0.01 %/V deviation from 24 V ^a	≤ ±0.01 %/V deviation from 24 V ^a
Environmental influences		
Operating temperature range	-40 to +85 °C	-40 to +85 °C
Storage temperature range	-40 to +100 °C	-40 to +100 °C
Temperature influence	≤ ±0.01 %/K deviation from 22 °C ^a	≤ ±0.01 %/K deviation from 22 °C ^a
Resistance to climatic conditions similar to DIN EN 60654 class C1	Relative humidity ≤ 95 % annual average, no condensation	Relative humidity ≤ 95 % annual average, no condensation
EMC interference emission/immunity	EN 61326 class B, industrial requirements	EN 61326 class B, industrial requirements

^a All specifications refer to the measuring range end value of 20 mA.

^b The higher value is valid.

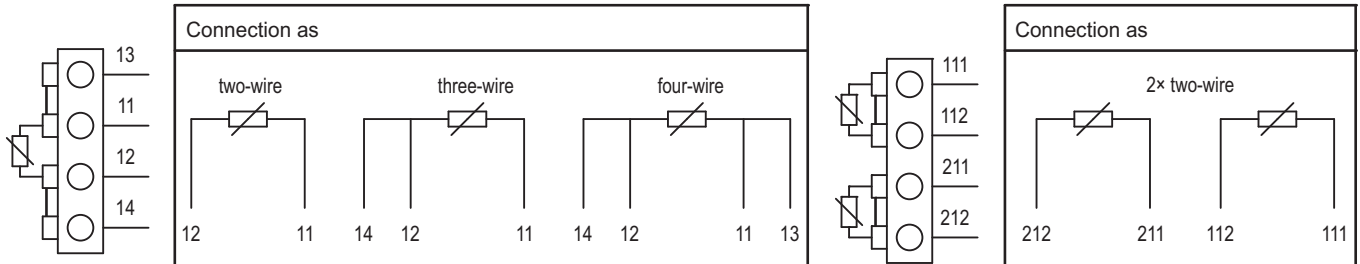
Approvals / approval marks

Approval mark	Test facility	Certificate / certification number	Inspection basis	Valid for
SIL QUALIFIED PL QUALIFIED	-	-	-	Extra code 058 in conjunction with declaration of manufacturer

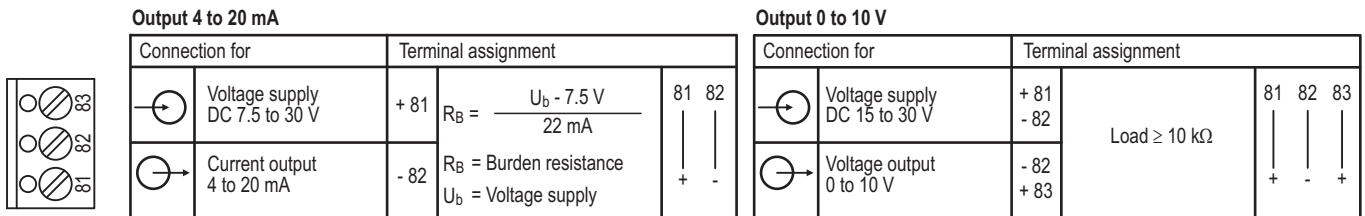


Connection diagram

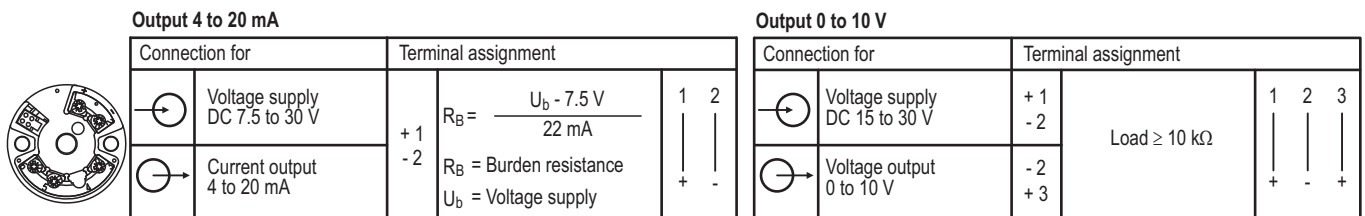
Standard versions



Transmitter for basic type 902520/10

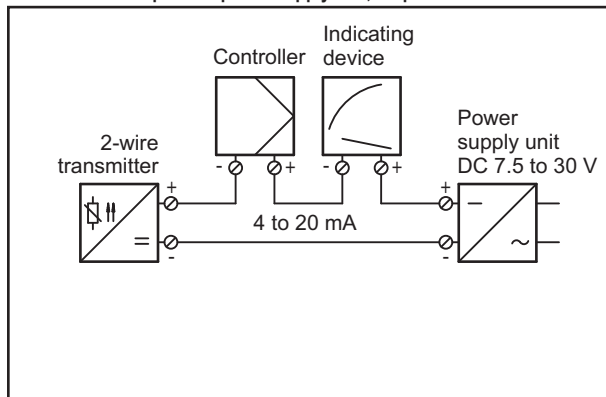


Transmitter for basic types 902520/2x and 902524/3x

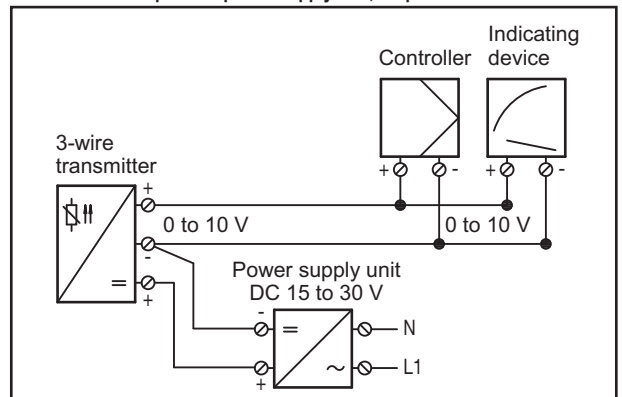


Connection examples

Connection example with power supply unit, output 4 to 20 mA



Connection example with power supply unit, output 0 to 10 V



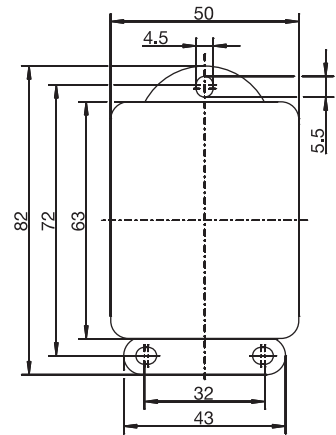
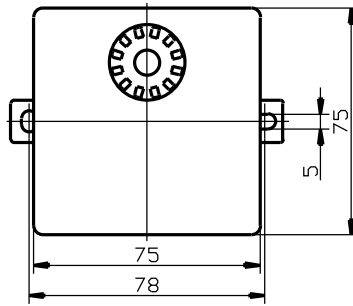
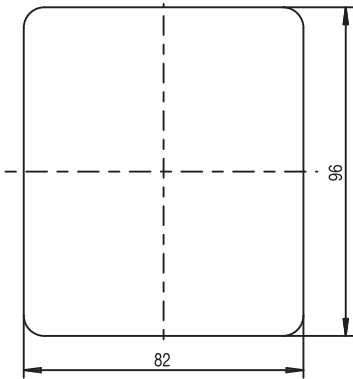
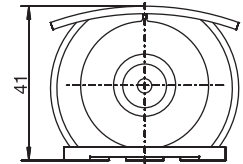
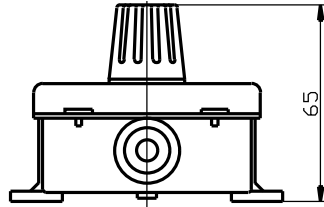
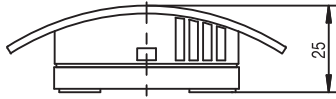
JUMO GmbH & Co. KG
 Delivery address: Mackenrodtstraße 14
 36039 Fulda, Germany
 Postal address: 36035 Fulda, Germany
 Phone: +49 661 6003-0
 Fax: +49 661 6003-607
 Email: mail@jumo.net
 Internet: www.jumo.net

JUMO Instrument Co. Ltd.
 JUMO House
 Temple Bank, Riverway
 Harlow, Essex CM 20 2DY, UK
 Phone: +44 1279 63 55 33
 Fax: +44 1279 62 50 29
 Email: sales@jumo.co.uk
 Internet: www.jumo.co.uk

JUMO Process Control, Inc.
 6733 Myers Road
 East Syracuse, NY 13057, USA
 Phone: +1 315 437 5866
 Fax: +1 315 437 5860
 Email: info.us@jumo.net
 Internet: www.jumousa.com



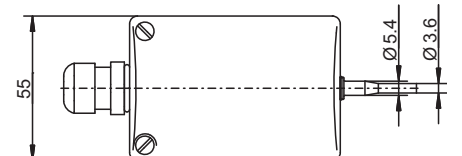
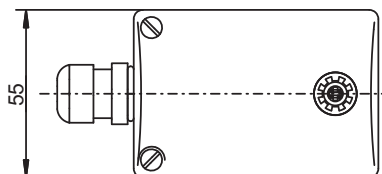
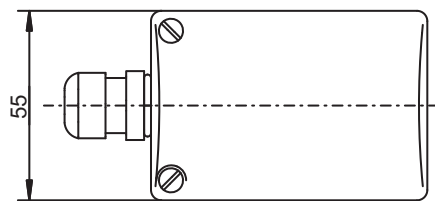
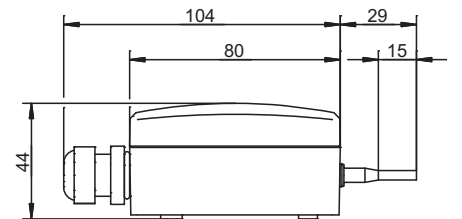
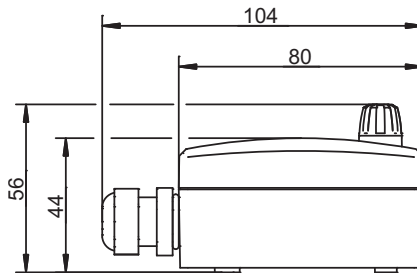
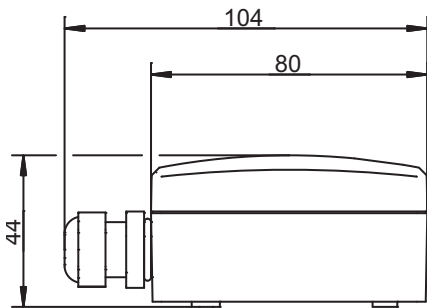
Dimensions



Basic type 902520/10

Basic type 902520/11

Basic type 902520/15



Basic type 902520/21

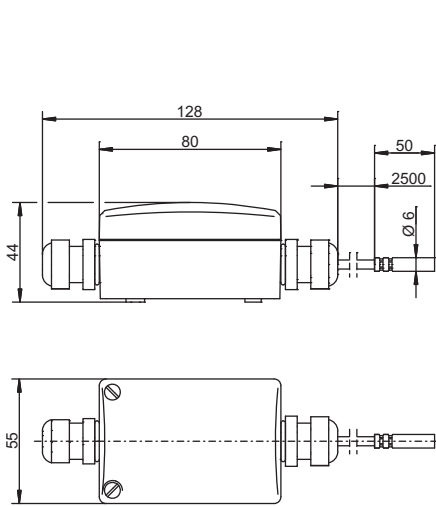
Basic type 902520/22

Basic type 902520/23

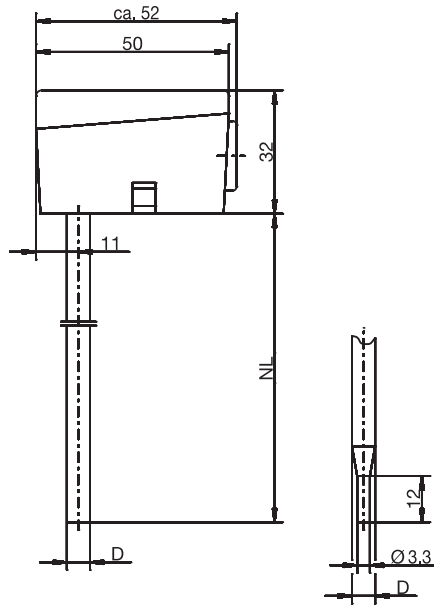
JUMO GmbH & Co. KG
 Delivery address: Mackenrodtstraße 14
 36039 Fulda, Germany
 Postal address: 36035 Fulda, Germany
 Phone: +49 661 6003-0
 Fax: +49 661 6003-607
 Email: mail@jumo.net
 Internet: www.jumo.net

JUMO Instrument Co. Ltd.
 JUMO House
 Temple Bank, Riverway
 Harlow, Essex CM 20 2DY, UK
 Phone: +44 1279 63 55 33
 Fax: +44 1279 62 50 29
 Email: sales@jumo.co.uk
 Internet: www.jumo.co.uk

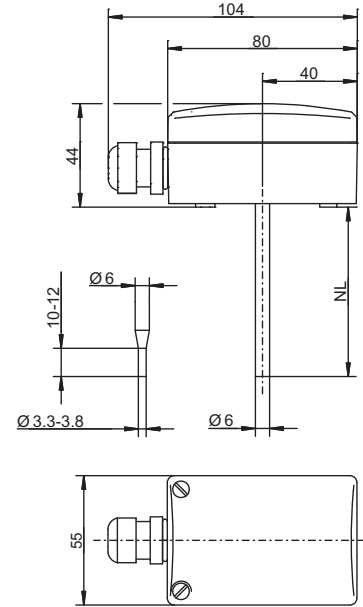
JUMO Process Control, Inc.
 6733 Myers Road
 East Syracuse, NY 13057, USA
 Phone: +1 315 437 5866
 Fax: +1 315 437 5860
 Email: info.us@jumo.net
 Internet: www.jumousa.com



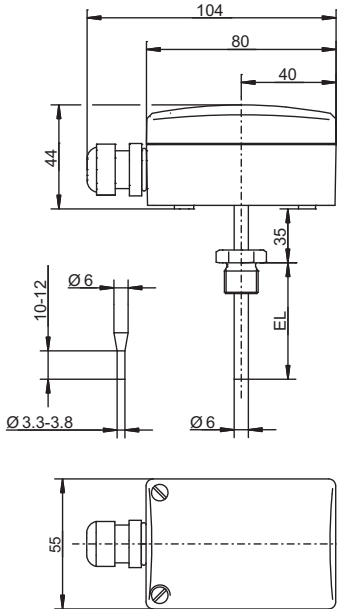
Basic type 902520/24



Basic type 902524/25



Basic type 902524/31



Basic type 902524/32

JUMO GmbH & Co. KG
 Delivery address: Mackenrodtstraße 14
 36039 Fulda, Germany
 Postal address: 36035 Fulda, Germany
 Phone: +49 661 6003-0
 Fax: +49 661 6003-607
 Email: mail@jumo.net
 Internet: www.jumo.net

JUMO Instrument Co. Ltd.
 JUMO House
 Temple Bank, Riverway
 Harlow, Essex CM 20 2DY, UK
 Phone: +44 1279 63 55 33
 Fax: +44 1279 62 50 29
 Email: sales@jumo.co.uk
 Internet: www.jumo.co.uk

JUMO Process Control, Inc.
 6733 Myers Road
 East Syracuse, NY 13057, USA
 Phone: +1 315 437 5866
 Fax: +1 315 437 5860
 Email: info.us@jumo.net
 Internet: www.jumousa.com

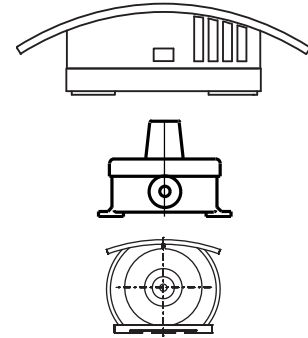


Order details

Indoor and outdoor RTD temperature probe

(1) Basic type

902520/10	Indoor RTD temperature probe Protection type IP20
902520/11	Indoor and outdoor RTD temperature probe Protection type IP54
902520/15	Outdoor RTD temperature probe Protection type IP65



(2) Operating temperature in °C

x	x	361	-50 to +90 °C
x		572	-30 to +80 °C
x	x	635	-20 to +80 °C
x		803	0 to 40 °C (measuring range only in conjunction with transmitter)
x		807	0 to 60 °C (measuring range only in conjunction with transmitter)

(3) Measuring insert

x		1001	1× Pt100 in three-wire circuit
x	x	1003	1× Pt100 in two-wire circuit
x	x	1005	1× Pt1000 in two-wire circuit
x	x	1009	1× Ni1000 in two-wire circuit
	x	1619	1× KTY 81-110
	x	1728	1× NTC 1 kOhm
x		2001	2× Pt100 in three-wire circuit
	x	2003	2× Pt100 in two-wire circuit

(4) Tolerance class according to DIN EN 60751

	x	0	Technical data Ni/NTC/KTY
x	x	1	Class B (standard)
x	x	2	Class A
x	x	3	Class AA

(5) Extra codes

x	x	x	000	none
x	x	x	058	SIL and PL-compatible
x			330	1× analog transmitter, output 4 to 20 mA ^a (in conjunction with 1× Pt100), data sheet 707030
x			333	1× analog transmitter, output 0 to 10 V ^a (in conjunction with 1× Pt100), data sheet 707030
		x	903	Cable fitting (IP65)

^a Specify measuring range in plain text.

Order code: (1) - (2) - (3) - (4) / (5) ,...^a
 Order example: 902520/10 - 572 - 1001 - 1 / 000

^a List extra codes in sequence, separated by commas.

JUMO GmbH & Co. KG
 Delivery address: Mackenrodtstraße 14
 36039 Fulda, Germany
 Postal address: 36035 Fulda, Germany
 Phone: +49 661 6003-0
 Fax: +49 661 6003-607
 Email: mail@jumo.net
 Internet: www.jumo.net

JUMO Instrument Co. Ltd.
 JUMO House
 Temple Bank, Riverway
 Harlow, Essex CM 20 2DY, UK
 Phone: +44 1279 63 55 33
 Fax: +44 1279 62 50 29
 Email: sales@jumo.co.uk
 Internet: www.jumo.co.uk

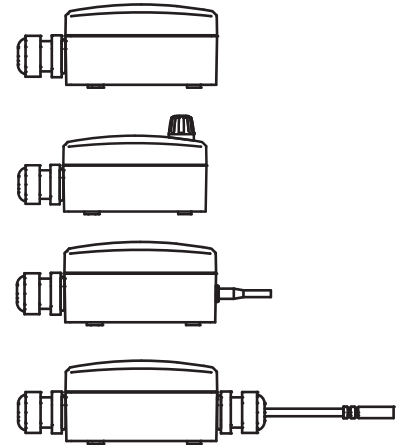
JUMO Process Control, Inc.
 6733 Myers Road
 East Syracuse, NY 13057, USA
 Phone: +1 315 437 5866
 Fax: +1 315 437 5860
 Email: info.us@jumo.net
 Internet: www.jumousa.com



Wall RTD temperature probe

(1) Basic type

902520/21	Wall RTD temperature probe with internal sensor Protection type IP65
902520/22	Wall RTD temperature probe with outer sensor Protection type IP65
902520/23	Wall RTD temperature probe with stepped-down protection tube Protection type IP65
902520/24	Wall RTD temperature probe with push-in RTD temperature probe with 2500 mm PVC connecting cable Protection type IP65



(2) Operating temperature in °C

x x x	361	-50 to +90 °C
x x x	474	-40 to +80 °C (measuring range only in conjunction with transmitter)
x x x	572	-30 to +80 °C (measuring range only in conjunction with transmitter)
x x x x	573	-30 to +90 °C (standard)

(3) Measuring insert

x x x x	1003	1× Pt100 in two-wire circuit (standard)
x x x x	1005	1× Pt1000 in two-wire circuit
x x x x	1009	1× Ni1000 in two-wire circuit (TK 6180 ppm/K)
x x x	1619	1× KTY 81-110
x x x	1654	1× LM235 Z
x x x x	1728	1× NTC 1 kOhm
x x x x	2003	2× Pt100 in two-wire circuit
x x x x	2005	2× Pt1000 in two-wire circuit
x x x	2009	2× Ni1000 in two-wire circuit (TK 6180 ppm/K)

(4) Tolerance class according to DIN EN 60751

x x x x	0	Technical data Ni/NTC/KTY/LM235 Z
x x x x	1	Class B (standard)
x x x x	2	Class A
x x x x	3	Class AA

(5) Extra codes

x x x x	000	none
x x x x	058	SIL and PL-compatible
x x x x	242	Spring-cage terminal
x x x x	330	1× analog transmitter, output 4 to 20 mA ^a (in conjunction with 1× Pt100), data sheet 707030
x x x x	333	1× analog transmitter, output 0 to 10 V ^a (in conjunction with 1× Pt100), data sheet 707030

^a Specify measuring range (deviating measuring range) in plain text.

Order code	(1)	(2)	(3)	(4)	(5)
Order example	902520/21	573	1003	1	000

JUMO GmbH & Co. KG
 Delivery address: Mackenrodtstraße 14
 36039 Fulda, Germany
 Postal address: 36035 Fulda, Germany
 Phone: +49 661 6003-0
 Fax: +49 661 6003-607
 Email: mail@jumo.net
 Internet: www.jumo.net

JUMO Instrument Co. Ltd.
 JUMO House
 Temple Bank, Riverway
 Harlow, Essex CM 20 2DY, UK
 Phone: +44 1279 63 55 33
 Fax: +44 1279 62 50 29
 Email: sales@jumo.co.uk
 Internet: www.jumo.co.uk

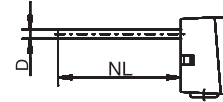
JUMO Process Control, Inc.
 6733 Myers Road
 East Syracuse, NY 13057, USA
 Phone: +1 315 437 5866
 Fax: +1 315 437 5860
 Email: info.us@jumo.net
 Internet: www.jumousa.com



Channel RTD temperature probe

(1) Basic type

902524/25 Plug-in channel RTD temperature probe
 with smooth protection tube
 Protection type IP54



(2) Operating temperature in °C

x 380 -50 to +200 °C

(3) Measuring insert

x 1003 1× Pt100 in two-wire circuit (standard)

x 1005 1× Pt1000 in two-wire circuit

x 1009 1× Ni1000 in two-wire circuit

(4) Tolerance class according to DIN EN 60751

x 1 Class B (standard)

x 2 Class A

(5) Protection tube diameter D in mm

x 6 Dia. 6 mm

(6) Nominal length NL in mm (NL 50 to 500)

x 100 100 mm

x 150 150 mm

x 200 200 mm

x ... Please specify in plain text (50 mm increments)

(7) Process connection^a

x 000 none

(8) Extra codes

x 000 none

x 058 SIL and PL-compatible

x 310 Protection tube stepped down from dia. 6 mm to dia. 3.3 mm

x 404 Protection type IP65

^a Process connections can be found in the "Accessories for process connection" section.

	(1)	(2)	(3)	(4)	(5)	(6)	(7)	(8)	...							
Order code	<input type="text"/>	-	<input type="text"/>	-	<input type="text"/>	-	<input type="text"/>	-	<input type="text"/>	/	<input type="text"/>	...				
Order example	902524/25	-	380	-	1003	-	1	-	6	-	100	-	000	/	000	...

^a List extra codes in sequence, separated by commas.

JUMO GmbH & Co. KG
 Delivery address: Mackenrodtstraße 14
 36039 Fulda, Germany
 Postal address: 36035 Fulda, Germany
 Phone: +49 661 6003-0
 Fax: +49 661 6003-607
 Email: mail@jumo.net
 Internet: www.jumo.net

JUMO Instrument Co. Ltd.
 JUMO House
 Temple Bank, Riverway
 Harlow, Essex CM 20 2DY, UK
 Phone: +44 1279 63 55 33
 Fax: +44 1279 62 50 29
 Email: sales@jumo.co.uk
 Internet: www.jumo.co.uk

JUMO Process Control, Inc.
 6733 Myers Road
 East Syracuse, NY 13057, USA
 Phone: +1 315 437 5866
 Fax: +1 315 437 5860
 Email: info.us@jumo.net
 Internet: www.jumousa.com

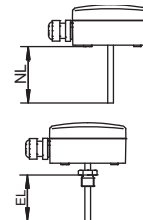


Channel RTD temperature probe

(1) Basic type

902524/31	Plug-in channel RTD temperature probe with continuous protection tube, ambient temperature of housing: -30 to +90 °C Protection type IP65
-----------	--

902524/32	Screw-in channel RTD temperature probe with continuous protection tube, ambient temperature of housing: -30 to +90 °C Protection type IP65
-----------	---



(2) Operating temperature in °C

x x	380	-50 to +200 °C
-----	-----	----------------

(3) Measuring insert

x x	1003	1× Pt100 in two-wire circuit
x x	1005	1× Pt1000 in two-wire circuit
x x	1009	1× Ni1000 in two-wire circuit
x x	1619	1× KTY 81-110
x x	1654	1× LM235 Z
x x	1728	1× NTC 1 kOhm
x x	2003	2× Pt100 in two-wire circuit
x x	2005	2× Pt1000 in two-wire circuit
x x	2009	2× Ni1000 in two-wire circuit

(4) Tolerance class according to DIN EN 60751

x x	0	Technical data Ni/NTC/KTY/LM235 Z
x x	1	Class B (standard)
x x	2	Class A
x x	3	Class AA

(5) Protection tube diameter D in mm

x x	6	Dia. 6 mm
-----	---	-----------

(6) Nominal length NL in mm/insertion length EL in mm (50 to 500 mm)

x x	100	100 mm
x x	150	150 mm
x x	200	200 mm
x x	...	Please specify in plain text (50 mm increments)

(7) Process connection

x	000	none
x	102	Screw connection G 1/4
x	103	Screw connection G 3/8
x	104	Screw connection G 1/2
x	128	Screw connection M20 × 1.5
x	144	Screw connection 1/2-14NPT

(8) Extra codes

x x	000	none
x x	058	SIL or PL-compatible
x x	242	Spring-cage terminal
x x	310	Protection tube stepped down from dia. 6 mm to dia. 3.3 mm (not in conjunction with measuring insert 2× xxx)
x x	330	1× analog transmitter, output 4 to 20 mA ^a (in conjunction with 1× Pt100), data sheet 707030
x x	333	1× analog transmitter, output 0 to 10 V ^a (in conjunction with 1× Pt100), data sheet 707030
x x	930	Ambient temperature of housing: -50 to +90 °C

^a Specify measuring range (deviating measuring range) in plain text.

Order code (1) (2) (3) (4) (5) (6) (7) (8) ,...^a
Order example 902524/31 - 380 - 1003 - 1 - 6 - 100 - 000 / 000

^a List extra codes in sequence, separated by commas.

JUMO GmbH & Co. KG

Delivery address: Mackenrodtstraße 14
36039 Fulda, Germany
Postal address: 36035 Fulda, Germany
Phone: +49 661 6003-0
Fax: +49 661 6003-607
Email: mail@jumo.net
Internet: www.jumo.net

JUMO Instrument Co. Ltd.

JUMO House
Temple Bank, Riverway
Harlow, Essex CM 20 2DY, UK
Phone: +44 1279 63 55 33
Fax: +44 1279 62 50 29
Email: sales@jumo.co.uk
Internet: www.jumo.co.uk

JUMO Process Control, Inc.

6733 Myers Road
East Syracuse, NY 13057, USA
Phone: +1 315 437 5866
Fax: +1 315 437 5860
Email: info.us@jumo.net
Internet: www.jumousa.com



Accessories for process connection

Description	Part no.
Stainless steel G 1/4 compression fitting, stainless steel clamping ring for protection tube diameter of 6 mm	00080811
Steel G 3/8 compression fitting, steel clamping ring for protection tube diameter of 6 mm	00057945
Stainless steel G 1/2 compression fitting, stainless steel clamping ring for protection tube diameter of 6 mm	00305445
Stainless steel M10 × 1 compression fitting, stainless steel clamping ring for protection tube diameter of 6 mm	00065416
Stainless steel 1/2-14NPT compression fitting, stainless steel clamping ring for protection tube diameter of 6 mm	00444210
Steel sheet flange for protection tube diameter of 6 mm	00065062

Stock versions

Order code	Part no.
902520/10-572-1001-1/000	00065671
902520/10-572-1005-1/000	00397862
902520/10-803-1003-1/330 (0 to 40 °C)	00064003
902520/10-807-1003-1/330 (0 to 60 °C)	00065717
902520/10-803-1003-1/333 (0 to 40 °C)	00439187
902520/11-635-1003-1/000	00055723
902520/15-361-1003-1/000	00546799
902520/15-361-1005-1/000	00546802
902520/15-361-1003-1/903	00546800
902520/15-361-1005-1/903	00546801
902520/15-361-1009-0/000	00549808
902520/22-573-1003-1/000	00650818
902520/22-573-1005-1/000	00650823
902520/22-474-1003-1/330 (-40 to +80 °C)	00650826
902520/23-573-1003-1/000	00650836
902520/23-573-1005-1/000	00650837
902520/23-474-1003-1/330 (-30 to +60 °C)	00658171
902520/23-474-1003-1/333 (-30 to +60 °C)	00671483
902520/23-474-1003-1/330 (-40 to +80 °C)	00650838
902520/23-474-1003-1/333 (-40 to +80 °C)	00650839
902524/25-380-1003-1-6-100-000/310,404	00410556
902524/25-380-1003-1-6-150-000/310,404	00410562
902524/25-380-1003-1-6-200-000/310,404	00410563
902524/31-380-1003-1-6-100-000/000	00650840
902524/31-380-1003-1-6-100-000/330 (-30 to +60 °C)	00650841