

Ceiling Accessories

1:2

Pendants

Ceiling Roses

Lampholders

Batten Lampholders



Ceiling Accessories

PRODUCT RANGE

ShockGuard Lampholders

SG type lampholder	1140 WHI
SG type lampholder with protective skirt	1141 WHI
SG type angled batten lampholder	1142 WHI
SG type batten lampholder with HR tails	1144 WHI

Heat resistant lampholders

Lampholder	1170 WHI
Lampholder with protective skirt (H.O.)	1171 WHI
Angled batten lampholder	1172 WHI
Batten lampholder with HR tails	1174 WHI

Pendant sets

SG type 6 inch pendant	1156 WHI
SG type 9 inch pendant	1159 WHI
6 inch pendant	1186 WHI
9 inch pendant	1189 WHI

Ceiling roses

Four terminals (L, N, loop-in & E)	1161 WHI
Ceiling rose halo	1163 WHI

Accessories

Surface mounted pattress for angled batten lampholder	1179 WHI
Lampholder skirt (standard)	1180 WHI
Lampholder protective skirt (H.O.)	1181 WHI

Description

The range includes ShockGuard™ SG type lampholders, pendant sets, batten lampholders and ceiling roses.

Features

ShockGuard™

- Automatically cuts off the power at the contacts as soon as the lamp is removed
- The power stays cut until a new lamp is slotted into place
- While there is no lamp in place there is no danger of electrocution

Ceiling roses

- Clear base and pre-cut aperture for ease of installation
- Clear markings
- Terminal layout allows cables to be cut to even length
- Earth terminal point used for easier cable access
- Halo available to give professional finish on damaged ceilings (for use with ceiling roses and pendant sets only)

Standards and approvals

Heat resistant lampholders comply with BS EN 61184: 1995 T2.

All ShockGuard lampholders comply with BS 5042 T2: 1987

Ceiling roses comply with BS 67: 1987

Pendant sets are supplied with heat resisting PVC insulated and sheathed flexible 0.75 two core circular cable complying with BS 6141: 1981

Ceiling Accessories

2:2

Pendants

Ceiling Roses

Lampholders

Batten Lampholders



TECHNICAL SPECIFICATION

Electrical

Lampholders and batten lampholders

Voltage rating:
250V a.c.

Maximum rating:
150 watts

Terminal capacity:
Live, neutral & earth
3 x 1.0mm²
2 x 1.5mm²

Ceiling roses & base of pre-wired batten lampholders

Voltage rating:
250V a.c.

Maximum rating:
6 amps

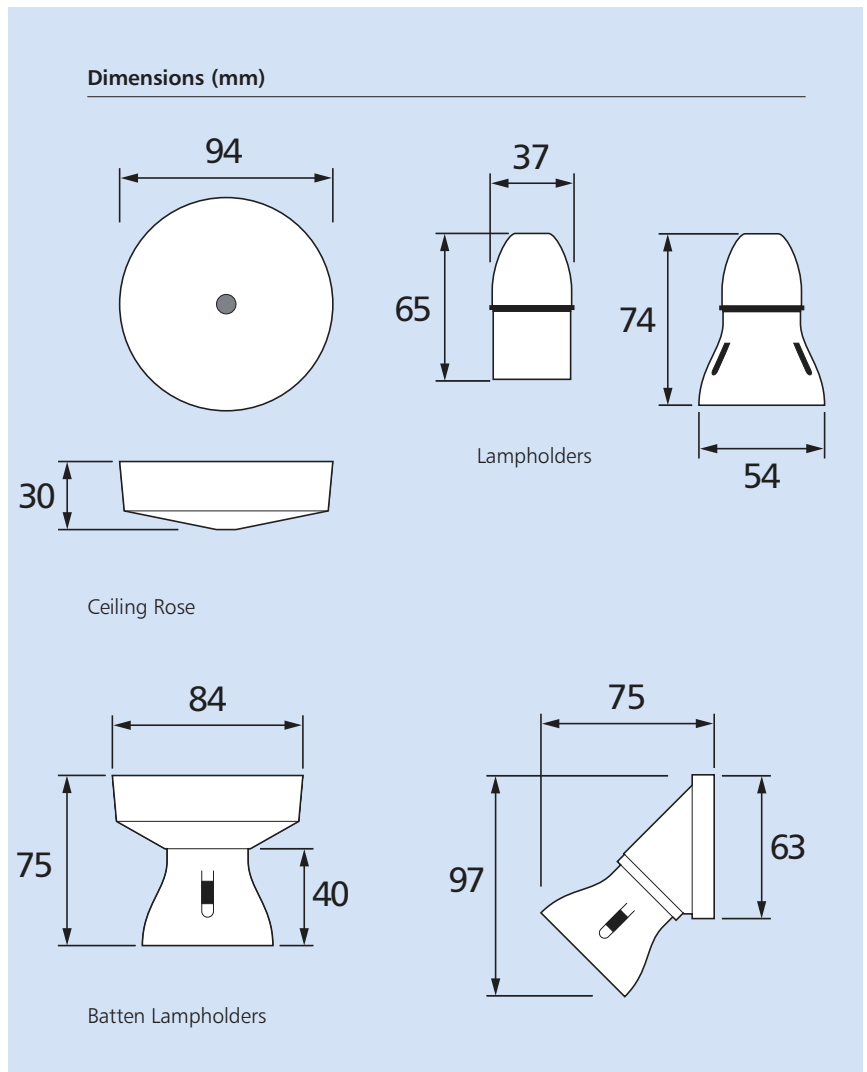
Terminal capacity:
Live, neutral & earth
4 x 1.0mm²
3 x 1.5mm²
1 x 2.5mm²

Physical

Ambient operating temperature:
-5°C to +40°C

IP rating:
IP4X

Max. installation altitude:
2000 metres



Heat Resistance

Two levels of heat resistance are nominated for lampholders but at different maximum working temperatures and the products must be identified by a different marking code T1 or T2.

Heat resistance	Max working temperature
2 levels of heat resistance	lamp cap temp 210°C marked BS 5042 T2 or BS EN 61184 T2

Lamp wattage rating

All MK lampholders comply with category T2 of BS 5042 or BS EN 61184. It is important to ensure that the wattage rating of the lamp used is not higher than that for which the particular shade or luminaire is designed. The maximum rating in watts is marked on all shades and luminaires that comply with the requirements of BS 4533: Part 101.

Weight of fittings

Ceiling roses and pendant sets are suitable for fittings of up to 3 kg. Heavier fittings must be installed using independent support, e.g. ceiling hook.

Box types

Angled batten lampholders

Can be mounted direct to the wall. The surface mounting patress (1179 WHI) may be used if more wiring space is required.

Straight batten lampholders

Can be screwed direct to the ceiling but it must be ensured that it is fastened to a wooden joist.

Ceiling roses and pendant sets

Can be screwed direct to the ceiling but it must be ensured that it is fastened to a wooden joist. Alternatively can be flush mounted to circular conduit boxes in accordance with BS 4568: Part 2.

Installation

MK ceiling accessories are safe for use in all normal lighting applications. Do not mount them where they may be subjected to excessive moisture or dampness.

Wiring

Products must be installed in accordance with current IEE regulations. (BS 7671)